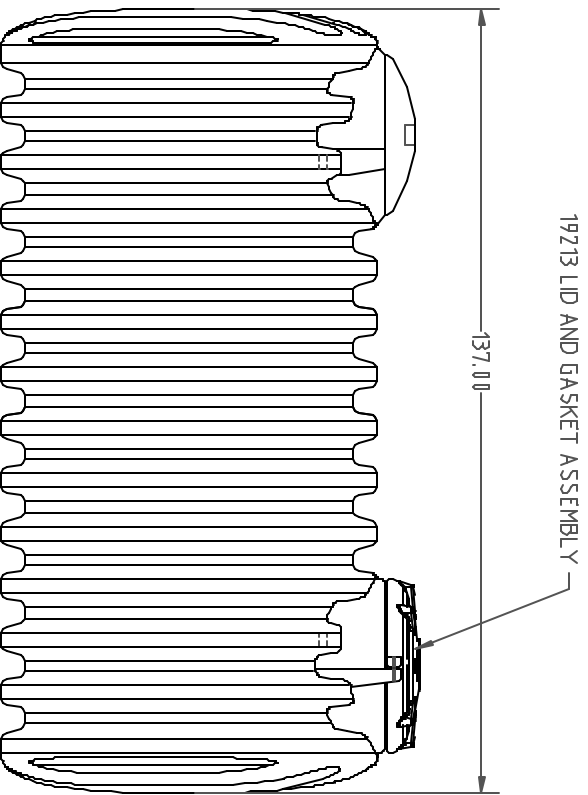
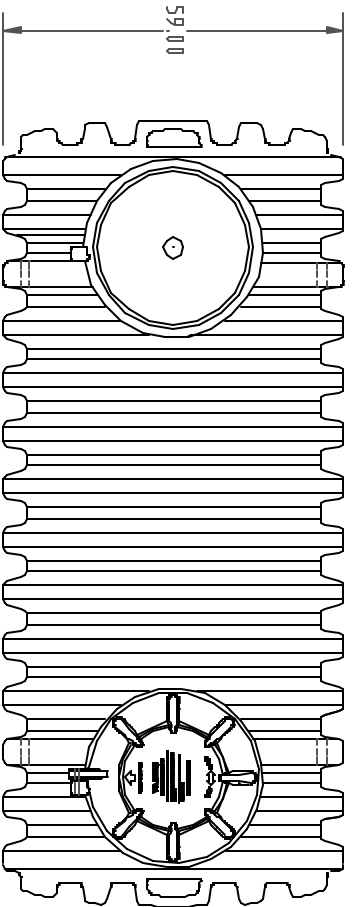
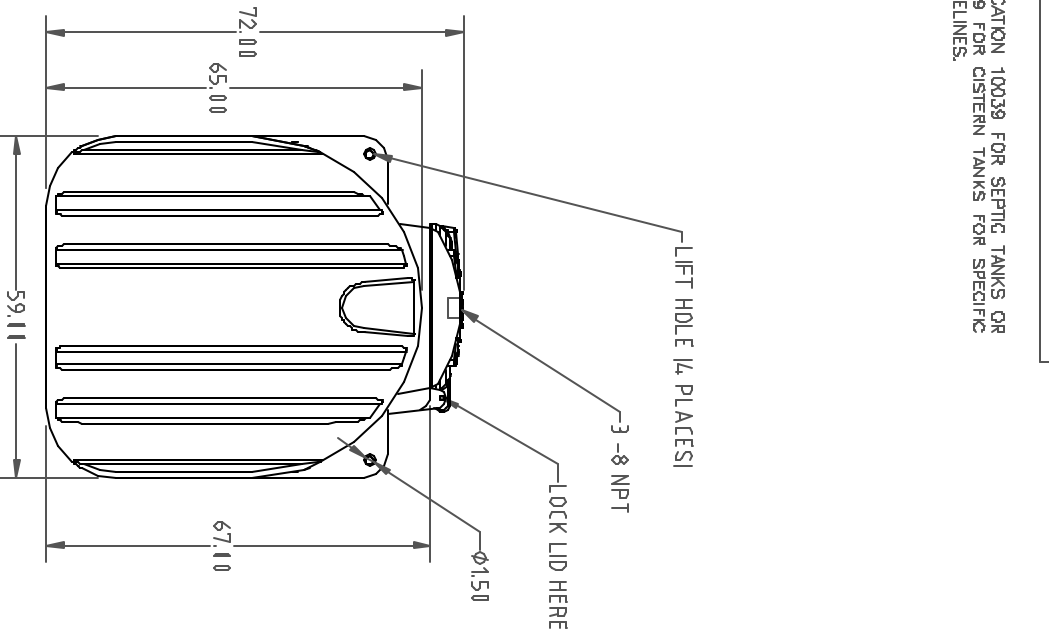


PROPRIETARY DATA

AST-1700-1W

PROPERTY OF ACE ROTO-MOLD MFG., INC. INFORMATION FURNISHED HEREIN IS THE PROPERTY OF ACE ROTO-MOLD MFG., INC. AND SHALL NOT BE USED, DISCLOSED TO OTHERS, OR COPIED WITHOUT THE EXPRESSED WRITTEN CONSENT OF ACE ROTO-MOLD MFG., INC. ALL RIGHTS RESERVED.

(A) REFERENCE PUBLICATION 10039 FOR SEPTIC TANKS OR PUBLICATION 10149 FOR CISTERN TANKS FOR SPECIFIC INSTALLATION GUIDELINES.



REV	DESCRIPTION	DATE	APPRO	REV	DATE	APPRO
C	CHANGE TO ONE LD	3/17/16	DHJ			
B	CHANGE WEIGHT WAS 528	3/17/16	DHJ			
A	ADDED PUBLICATION REF	9/21/15	NVE			

MATERIAL

EXXON HOBASIL HDPE OR EQUIVALENT  
REFERENCE MATERIAL DATA SHEET  
FOR SPECIFIC PROPERTIES.

NOTES:

1. MIN. WALL @ .251
2. NATURAL COLOR
3. SHOT WEIGHT 553 LBS.

1700 GAL. SINGLE  
CISTERN TANK



Ace Roto-Mold  
A DIVISION OF DEN HARTOG INDUSTRIES, INC.  
4018 HWY. 80 BLVD., BOX 421, HOBRENS, IOWA 51238

CLIENT / DESCRIPTION

SCALE

N.S.

PART NO.

AST-1700-1W

ALL DIMENSIONS ARE IN DECIMAL INCHES  
TOLERANCES UNLESS OTHERWISE SPECIFIED  
± 1% @ 68° F

