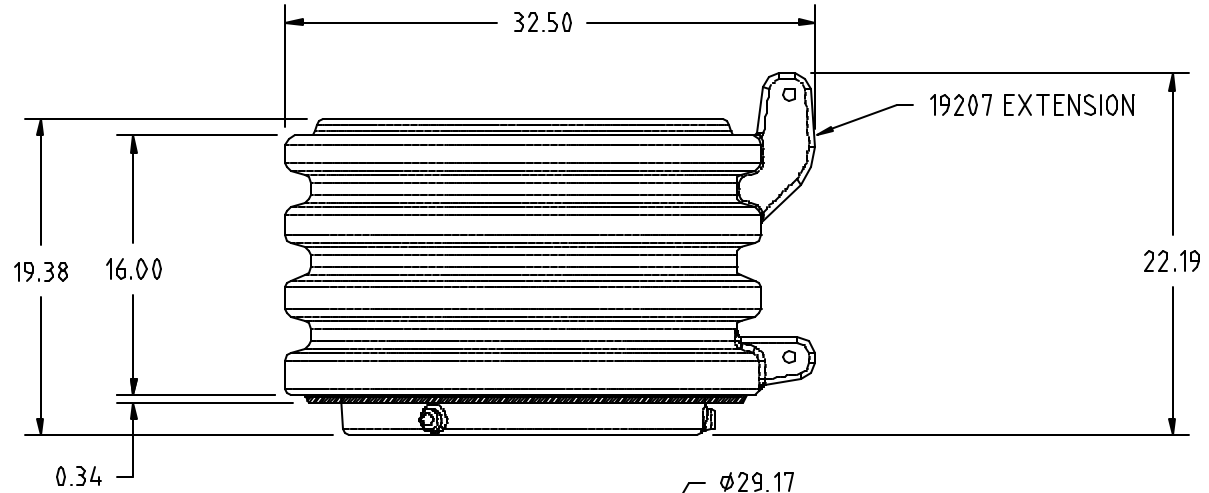
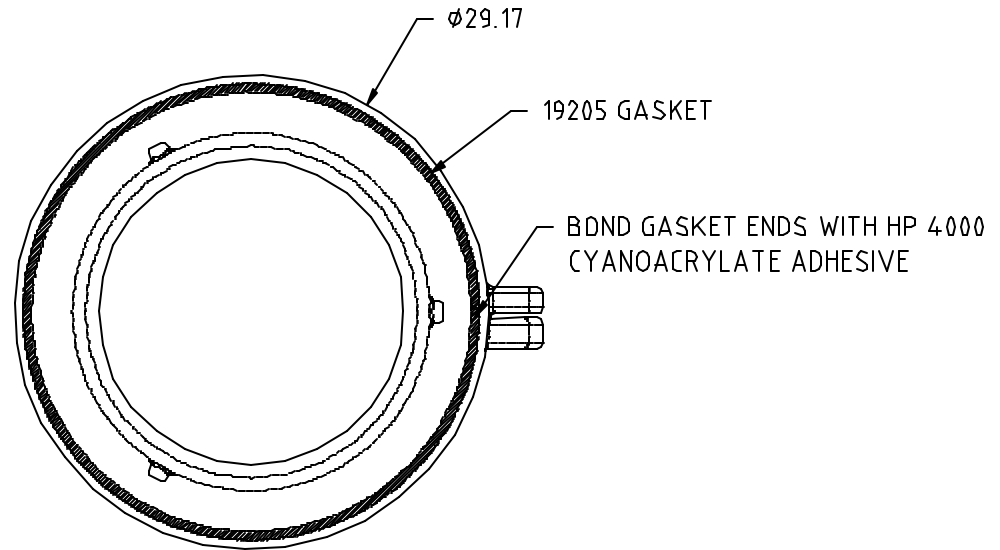

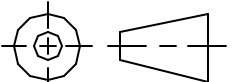


Copyright. All information furnished within this document, electronic file or design correspondence is the property of Den Hartog Industries, Inc. and shall not be used, disclosed to others or copied without the expressed written consent of Den Hartog Industries, Inc.



TO INSURE UNIFORM GASKET INSTALLATION DEPTH USE ROLLER INSTALLATION TOOL



| | | | | | | | |
|---|-------------|--------------------------------|--------|---|--|---|----------|
| | | DRAWN / DATE REH / 5/11/14 | | MATERIAL | |  Ace Roto-Mold A DIVISION OF DEN HARTOG INDUSTRIES, INC. | |
| | | APPRD. / DATE REH / 5/11/14 | | BLACK REGRIND | | | |
| REV | DESCRIPTION | DATE | APPRD. | NOTES: | | CLIENT / DESCRIPTION | |
| | | | | 1. NOM. WALL @ .191 2. BLACK COLOR 3. SHDT WEIGHT 28 LBS. | | SEPTIC TANK EXTENSION ASSEMBLY | |
| ALL DIMENSIONS ARE IN DECIMAL INCHES TOLERANCES UNLESS OTHERWISE SPECIFIED $\pm 1\% @ 68^{\circ} F$ | | | | THIRD ANGLE PROJECTION ANSI 14.5M  | | SCALE | PART NO. |
| | | | | | | N.S. | 19212 |