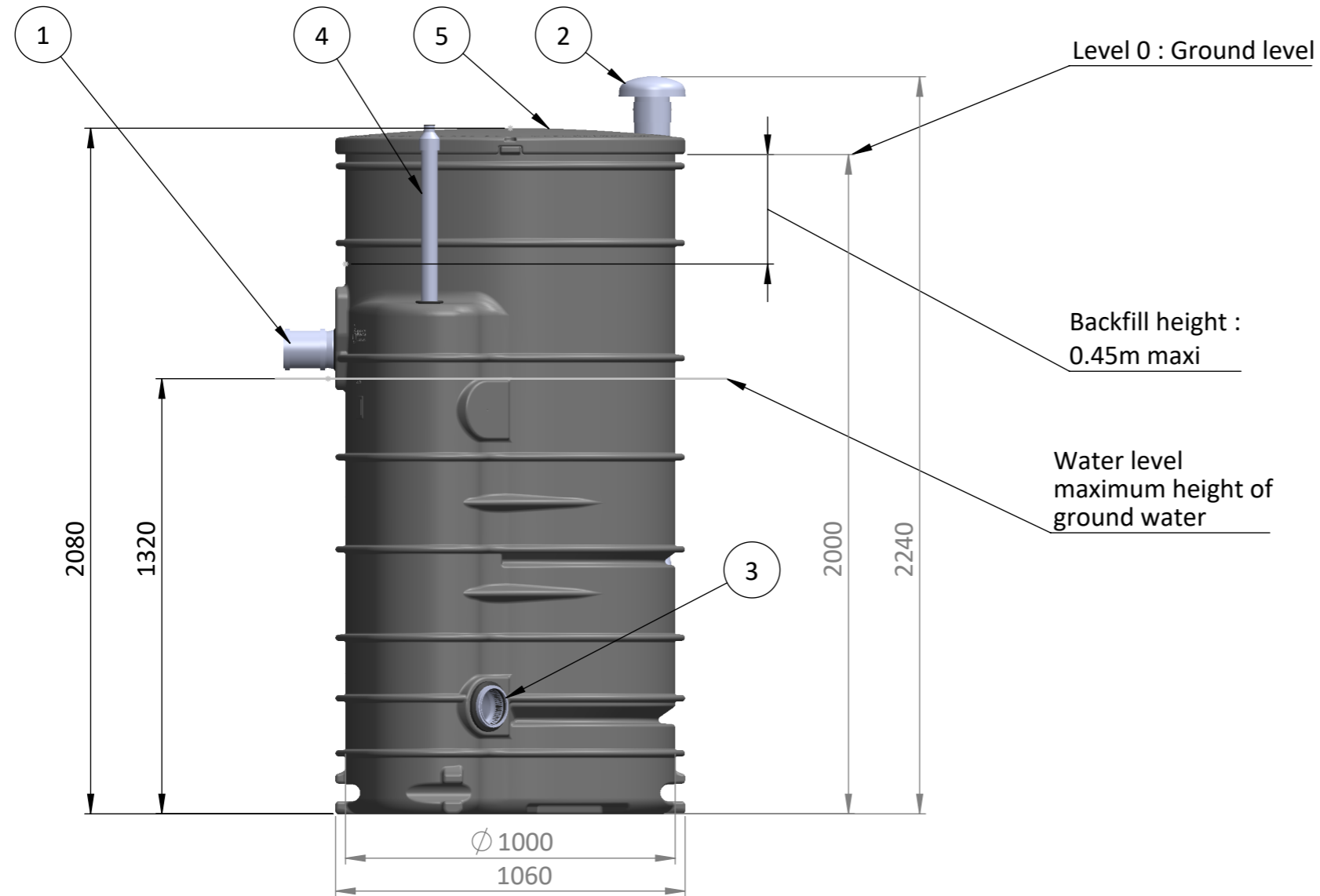


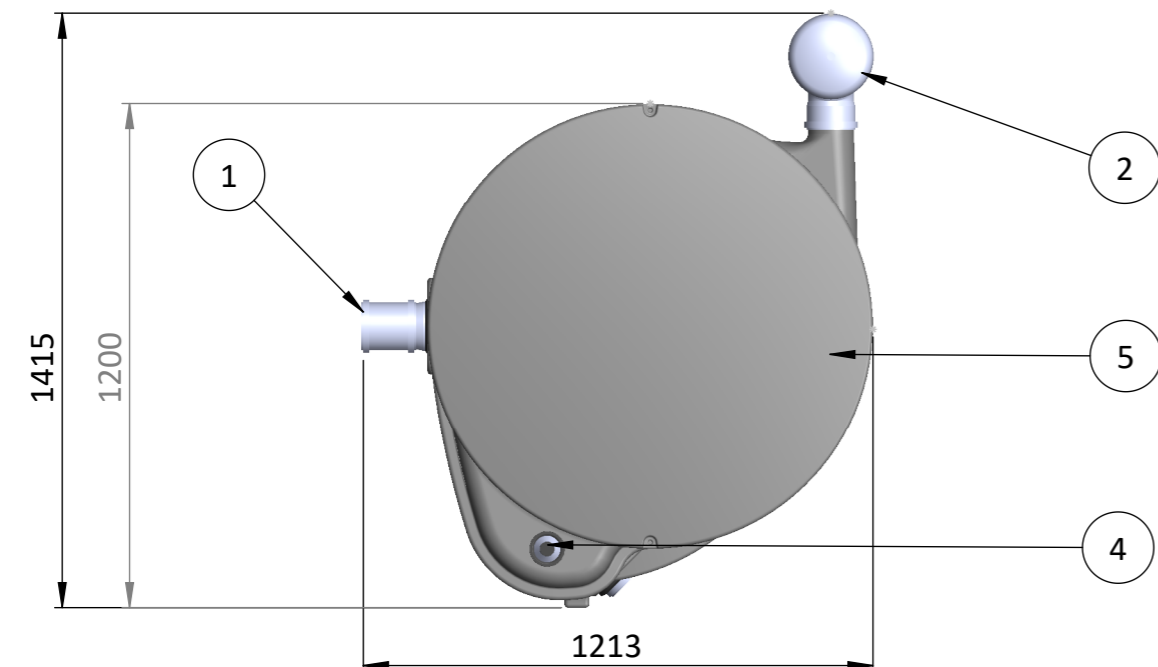
# ECOROCK-900

## CAPACITY UP TO 6 PE




1	Effluents inlet + Air outlet
2	Air inlet
3	Water outlet
4	Overflow alarm
5	Treatment access

CARACTERISTICS	VALUE	UNIT
Capacity in Population Equivalent	up to 6	PE
TREATMENT UNIT	VALUE	UNIT
Minimum volume of pre-treatment	2000	Liters
Treatment volume	1500	Liters
Daily volume of wastewater	150	Liters/day/PE
Daily hydraulic load	0.9	m <sup>3</sup> /day
Organic load per PE	60	gr.DBO5/PE/day
Organic load raw effluent up to	up to 0.36	kg DBO5/day
SPECIFICATION	VALUE	UNIT
Overall length	1213	mm
Overall width	1415	mm
Overall height	2240	mm
Secondary treatment area	0.6362	m <sup>2</sup>
Total weight (without water)	163.5	Kg
Pipe diameters	110	mm



This product can be installed in high ground water.

Tolérance : 3%

Service :				 <b>ECOROCK-900</b>			
CREATION						TITRE:	
NOM	SIGNATURE	DATE	No. DE PLAN				
AUTEUR	EM	27/02/2017	UT-Y1500 UNI				
VERIF.			A3				
MODIFICATION				ECHELLE:1:18			
NOM	SIGNATURE	DATE					
AUTEUR							
VERIF.							
MODIFICATION							
AUTEUR							
VERIF.							