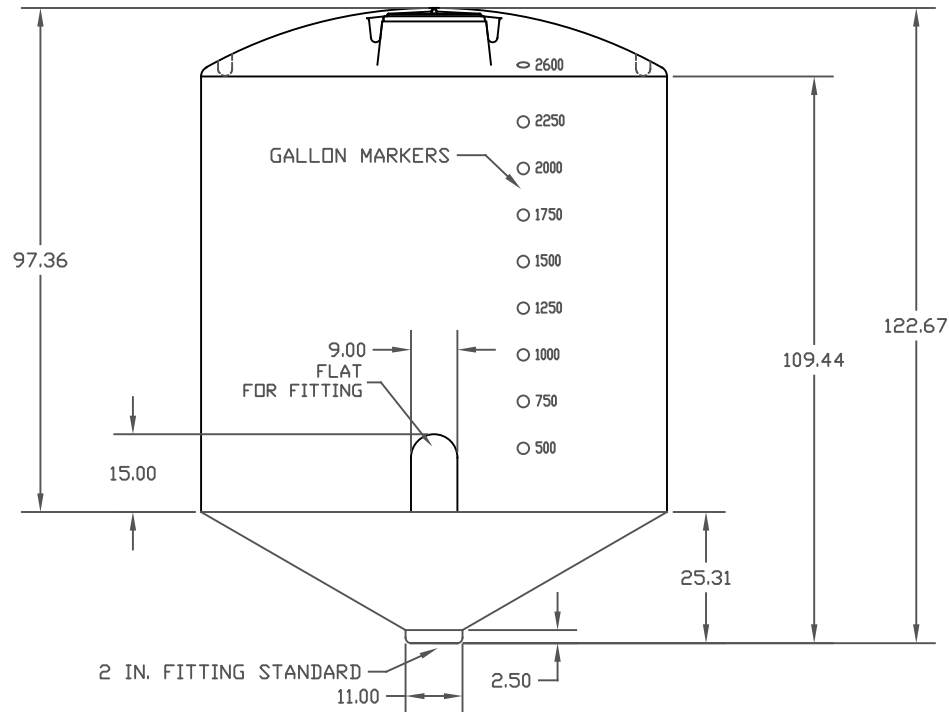
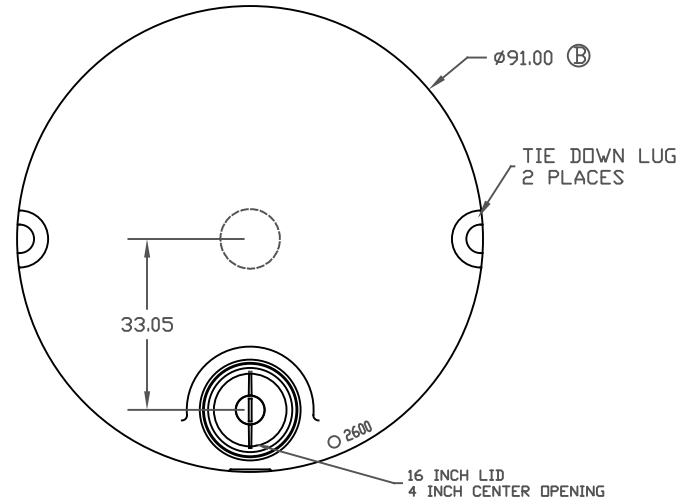


PROPRIETARY DATA

PROPERTY OF DEN HARTOG INDUSTRIES, INC. INFORMATION FURNISHED HEREIN IS THE PROPERTY OF DEN HARTOG INDUSTRIES, INC. AND SHALL NOT BE USED, DISCLOSED TO OTHERS, OR COPIED WITHOUT THE EXPRESSED WRITTEN CONSENT OF DEN HARTOG INDUSTRIES, INC. ALL RIGHTS RESERVED.

CB2600-90


B



B	WAS 90	5/11/17	DHJ	3385	DRAWN / DATE DHJ 3/30/06	MATERIAL HDPE OR EQUIVALENT
A	ISOLATED TANK AND STAND	6/13/06	NVE		APPRD. / DATE REH 4/18/07	
REV	DESCRIPTION	DATE	APPRD	CCN		

THIRD ANGLE PROJECTION
ANSI 14.5M

NOTES:
1. SHOT WEIGHT 500 LBS.



Ace Roto-Mold
A DIVISION OF DEN HARTOG INDUSTRIES, INC.
4010 HWY. 60 BLVD., BOX 425, HOSPERS, IOWA 51238

CLIENT / DESCRIPTION
2600 GALLON CONE BOTTOM
TANK 30 DEG

SCALE
N.S.

PART NO.
CB2600-90

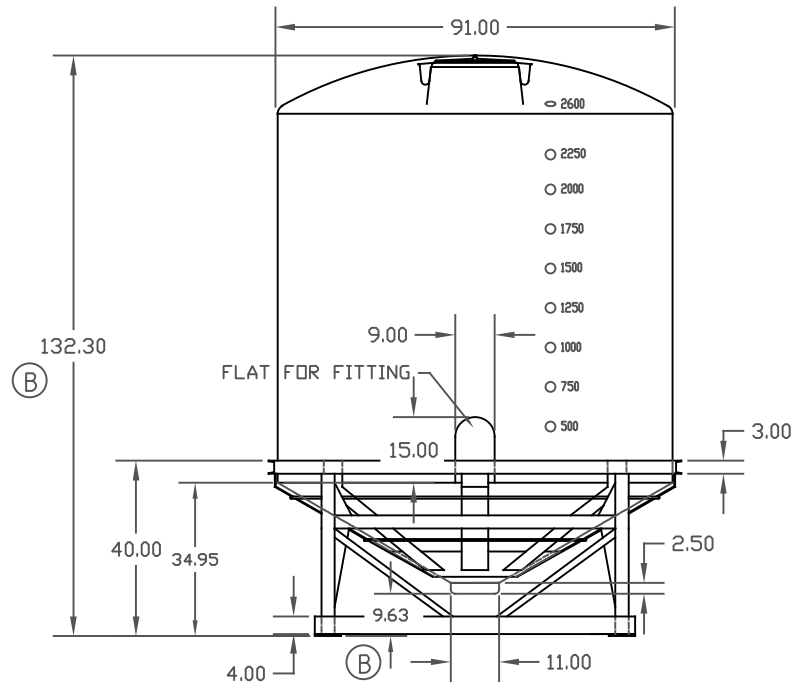
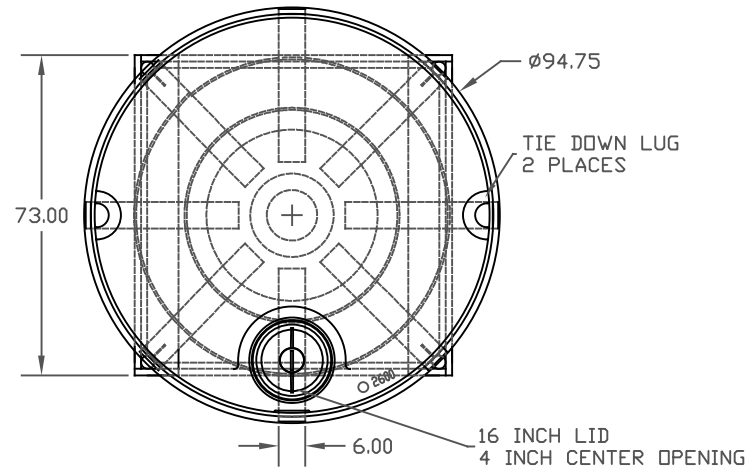
ALL DIMENSIONS ARE IN DECIMAL INCHES
TOLERANCES UNLESS OTHERWISE SPECIFIED
± 1% @ 68° F

PROPRIETARY DATA

PROPERTY OF DEN HARTOG INDUSTRIES, INC. INFORMATION FURNISHED HEREIN IS THE PROPERTY OF DEN HARTOG INDUSTRIES, INC. AND SHALL NOT BE USED, DISCLOSED TO OTHERS, OR COPIED WITHOUT THE EXPRESSED WRITTEN CONSENT OF DEN HARTOG INDUSTRIES, INC. ALL RIGHTS RESERVED.

CB2600-90/90-30ST

D



D	WAS 90	5/11/17	DHJ	3385
C	REMOVE TOL. 1% @ 68° F	3/9/07	GWC	
B	CORRECTED CLEARANCE AND HEIGHT	7/12/06	NVE	
A	CHANGED PN TO CB2600-90/90-30ST	6/13/06	NVE	
REV	DESCRIPTION	DATE	APPRD	CCN

DRAWN / DATE	MATERIAL
DHJ 3/30/06	TANK POLYETHYLENE
APPRD. / DATE	STAND MILD STEEL
REH 4/18/07	



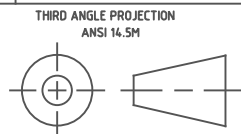
Ace Roto-Mold

A DIVISION OF DEN HARTOG INDUSTRIES, INC.
4010 HWY. 60 BLVD., BOX 425, HOSPERS, IOWA 51238

CLIENT / DESCRIPTION

2600 GALLON CONE BOTTOM
TANK AND STAND 30 DEG

ALL DIMENSIONS ARE IN DECIMAL INCHES
TOLERANCES UNLESS OTHERWISE SPECIFIED



NOTES:
STAND # CB090-30ST
1. TANK 500 LBS.
2. STAND 640 LBS.
BLACK POWDER COAT

SCALE

N.S.

PART NO.

CB2600-90/90-30ST