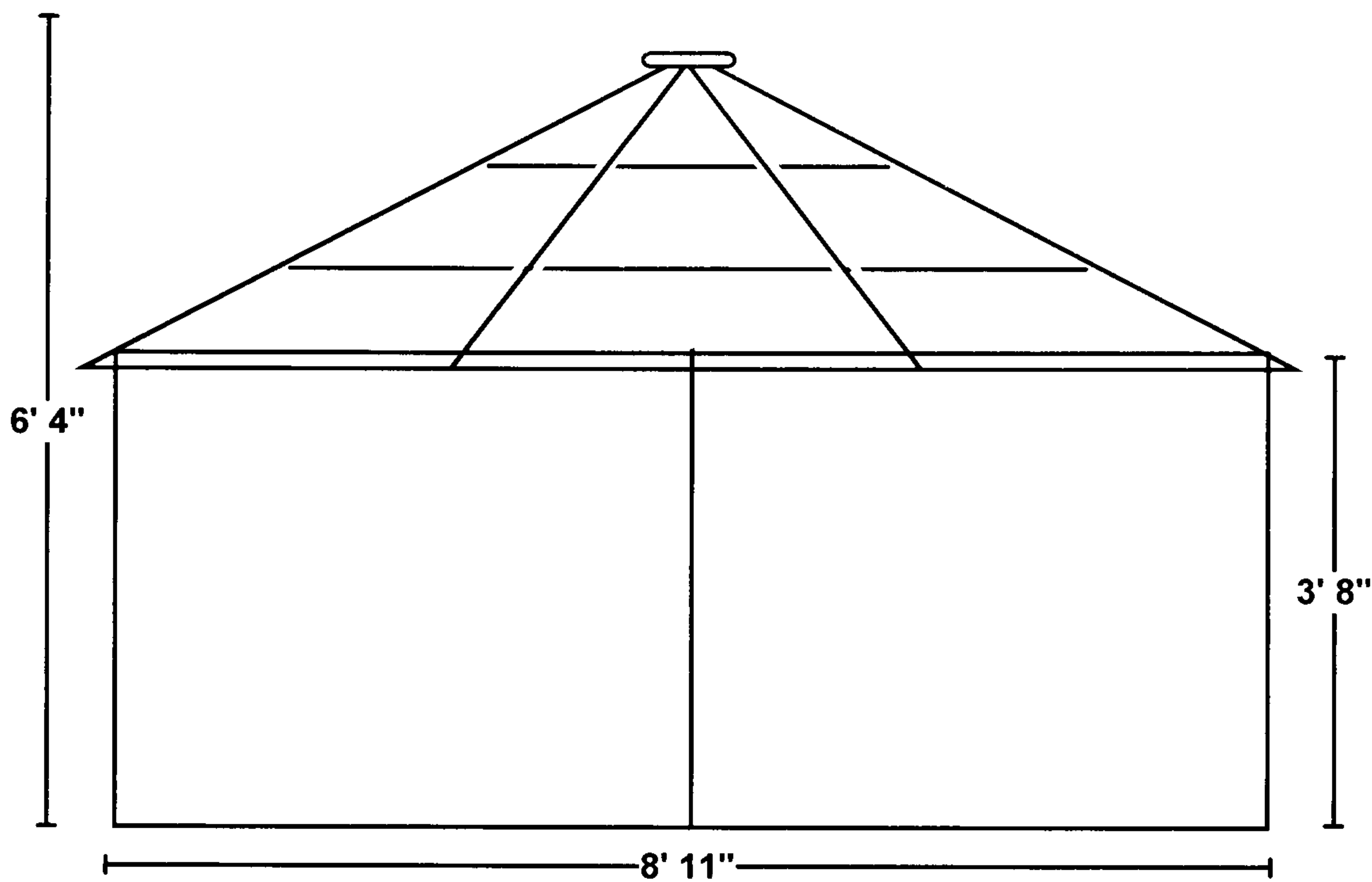


Contain CGS Water Tank

Model 901 - Nominal Capacity 1,727 US Gallons

8' 11" diameter x 3' 8" eave height x 6' 4" total height



WESTEEL