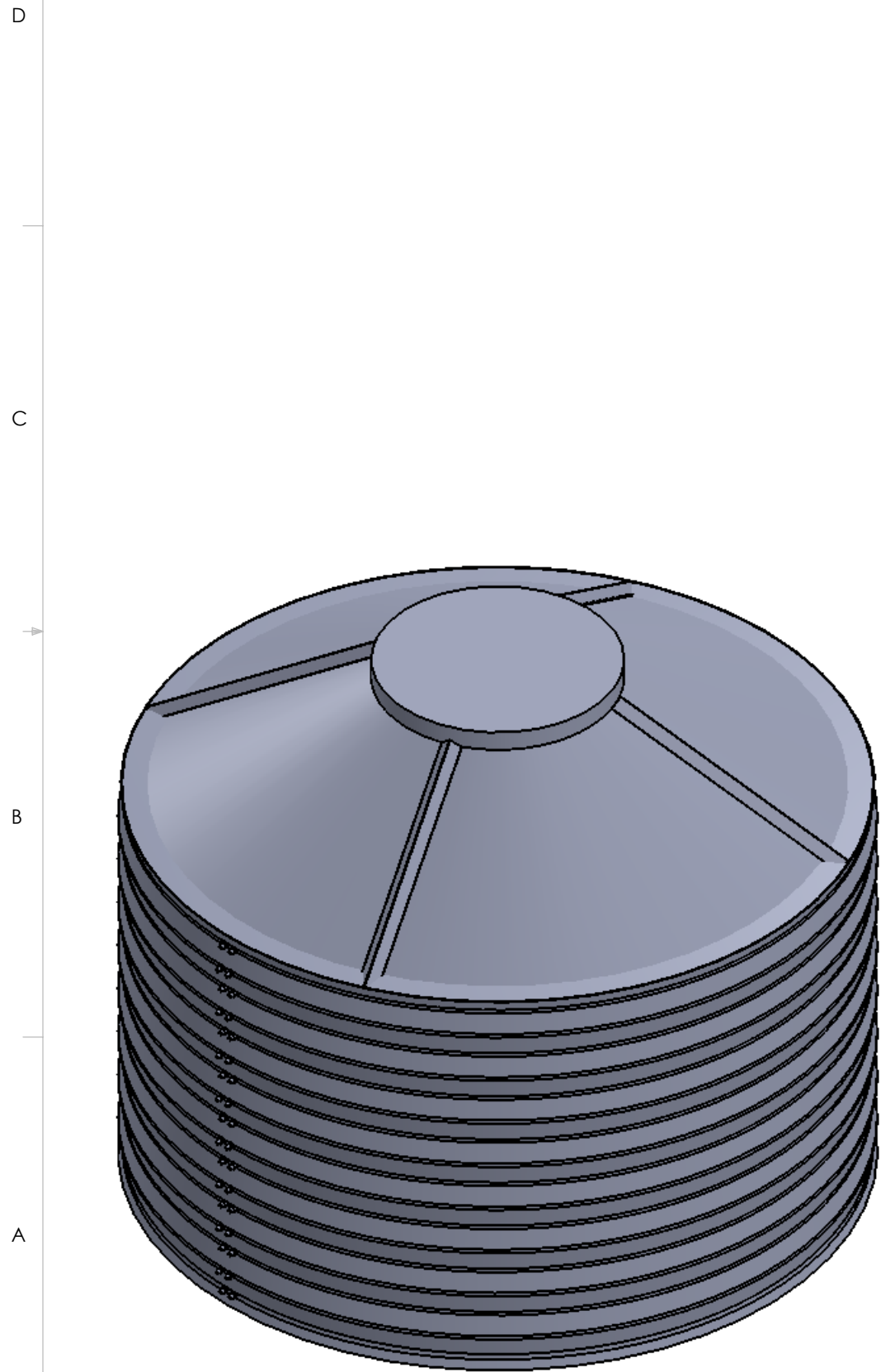
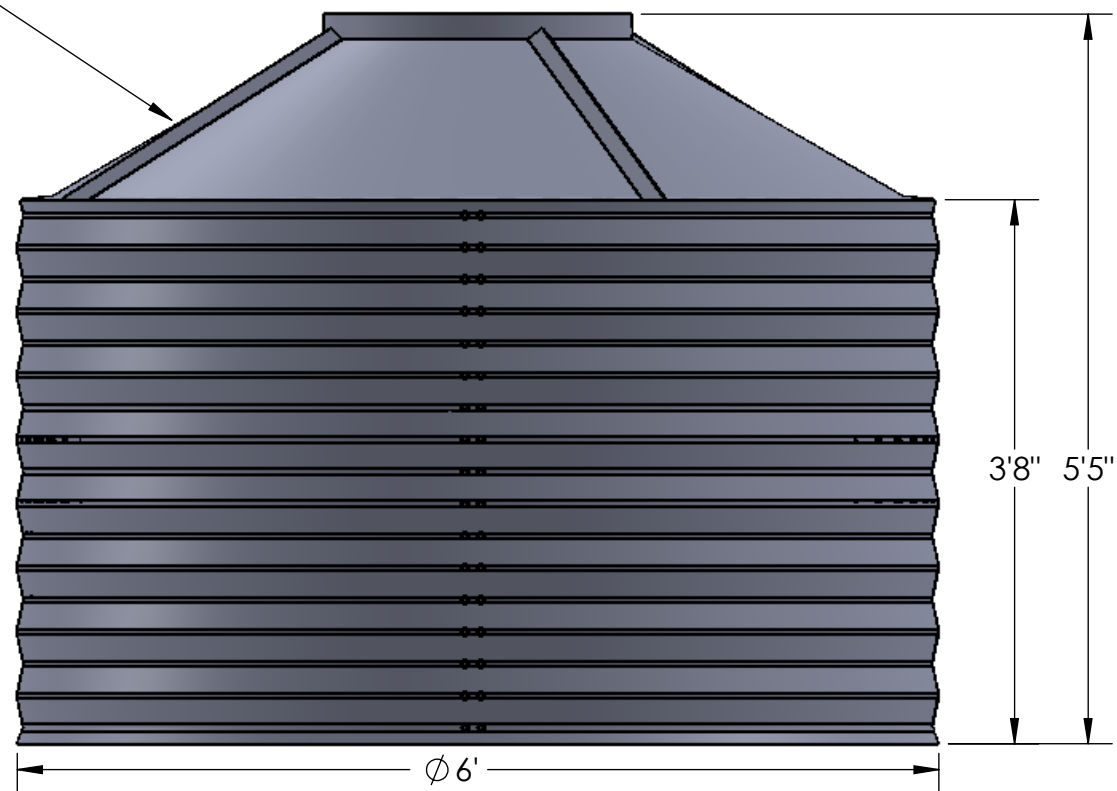


NOTES:  
 1. NOMINAL CAPACITY: 767 U.S. GALLONS



30° ROOF CONFIGURATION



UNLESS OTHERWISE SPECIFIED:

DIMENSIONS ARE IN INCHES  
 TOLERANCES:  
 FRACTIONAL  $\pm 1/16"$   
 ANGULAR: MACH  $\pm .5^\circ$  BEND  $\pm .5^\circ$   
 TWO PLACE DECIMAL  $\pm .02"$   
 THREE PLACE DECIMAL  $\pm .005"$

PROPRIETARY AND CONFIDENTIAL  
 THE INFORMATION CONTAINED IN THIS  
 DRAWING IS THE SOLE PROPERTY OF  
 CONTAIN WATER SYSTEMS. ANY  
 REPRODUCTION IN PART OR AS A WHOLE  
 WITHOUT THE WRITTEN PERMISSION OF  
 CONTAIN WATER SYSTEMS IS  
 PROHIBITED.

INTERPRET GEOMETRIC  
 TOLERANCING PER: ASME Y14.5  
 MATERIAL MIXED  
 FINISH N/A  
 DO NOT SCALE DRAWING

	NAME	DATE
DRAWN	AP	9.28.18
CHECKED		
ENG APPR.		
MFG APPR.		
Q.A.		
COMMENTS: SALES DRAWING-TANK GENERAL ARRANGEMENT		



TITLE:  
**GENERAL ARRANGEMENT**  
**CGS 6'**  
**1 TIER**

SIZE	DWG. NO.	REV
<b>B</b>	<b>CGS-601-30</b>	<b>1</b>

SCALE: 1:15 WEIGHT:225 LBS SHEET 1 OF 1