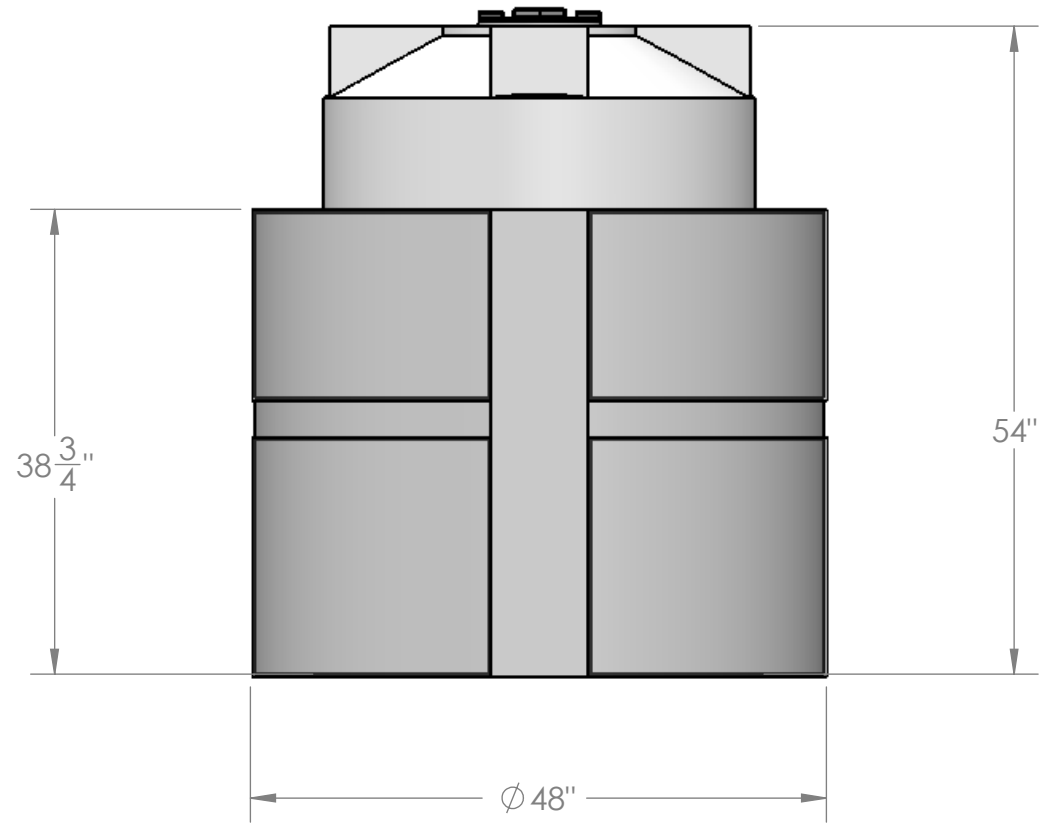
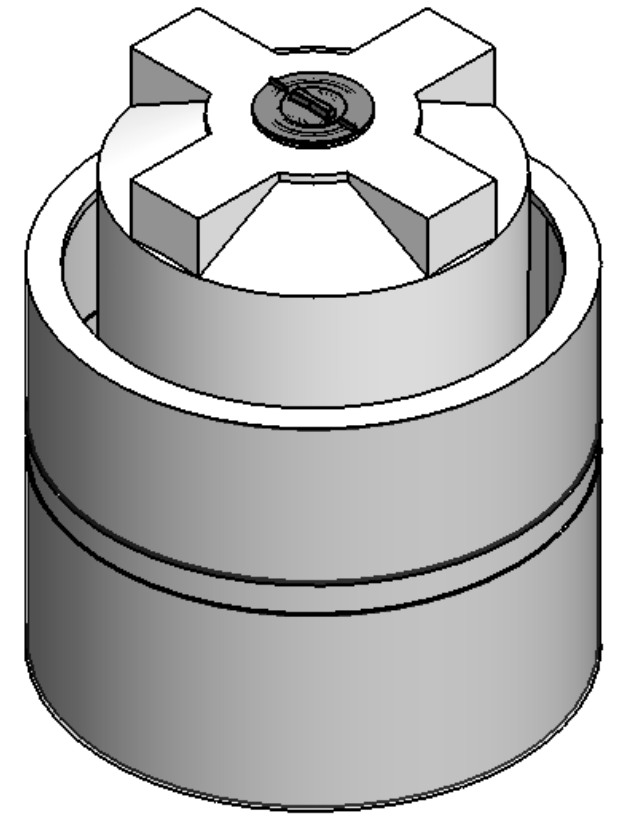
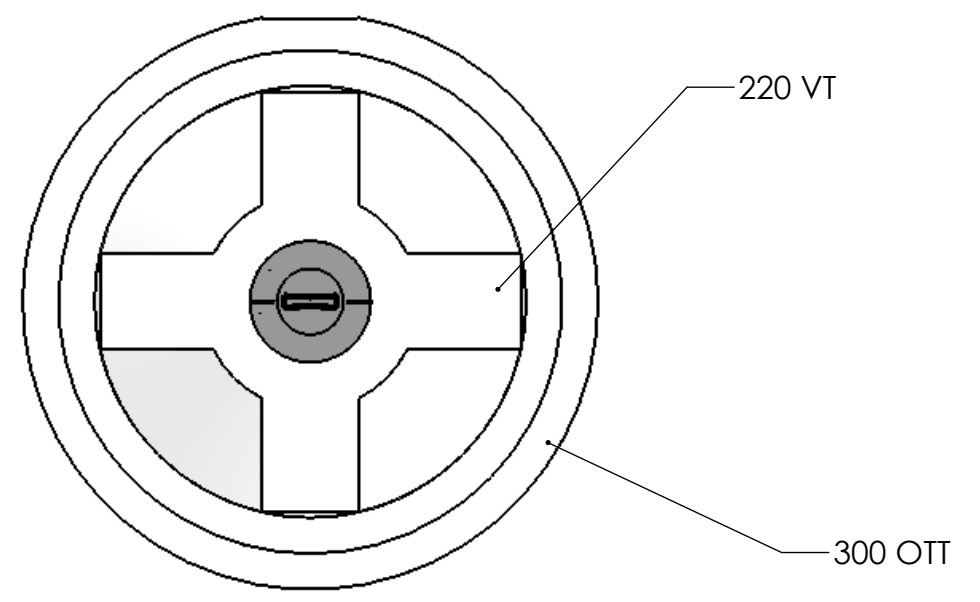


8 7 6 5 4 3 2 1

D  
C  
B  
A



NOTES:

1. MATERIAL: HDPE
2. PRIMARY TANK: STD = 2.0 S.G. 50 LBS
3. CONTAINMENT: STD = 2.0 S.G. 60 LBS
4. SHIPPING WEIGHT: 110 LBS.

**PROPRIETARY AND CONFIDENTIAL**  
 THE INFORMATION CONTAINED IN THIS DRAWING IS THE SOLE PROPERTY OF <INSERT COMPANY NAME HERE>. ANY REPRODUCTION IN PART OR AS A WHOLE WITHOUT THE WRITTEN PERMISSION OF <INSERT COMPANY NAME HERE> IS PROHIBITED.

		UNLESS OTHERWISE SPECIFIED:		NAME	DATE	CUSTOM ROTO-MOLDING, INC.
		DIMENSIONS ARE IN INCHES TOLERANCES: FRACTIONAL ± ANGULAR: MACH ± BEND ± TWO PLACE DECIMAL ± THREE PLACE DECIMAL ±		DRAWN	10-22-10	
		INTERPRET GEOMETRIC TOLERANCING PER:		CHECKED		TITLE:
		MATERIAL		ENG APPR.		220 VT, 300 OTT
		FINISH		MFG APPR.		
NEXT ASSY	USED ON			Q.A.		SIZE
APPLICATION		DO NOT SCALE DRAWING		COMMENTS:		DWG. NO.
						REV
						SCALE: 1:24 WEIGHT:
						SHEET 1 OF 1

8 7 6 5 4 3 2 1