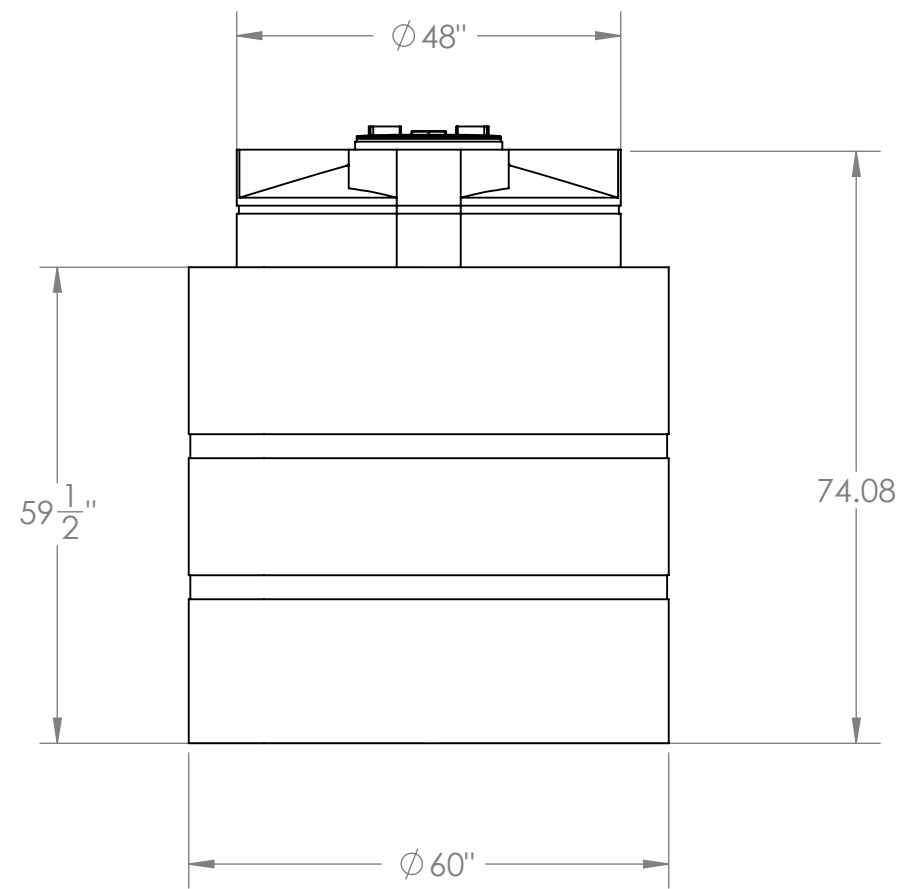
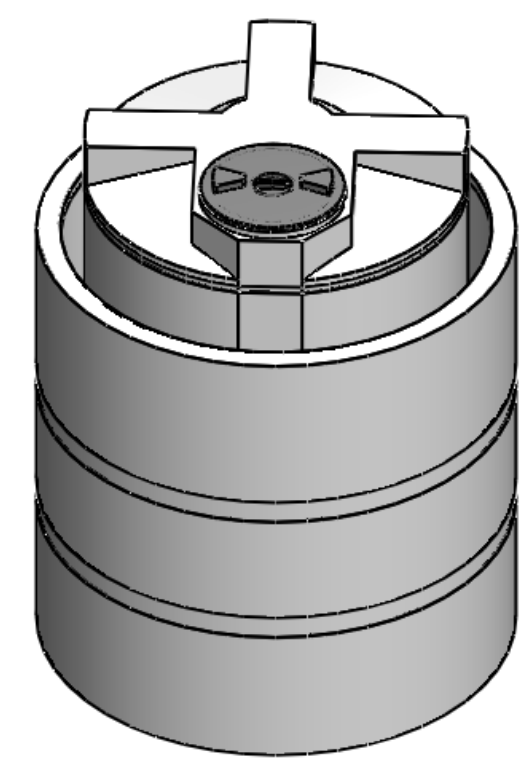
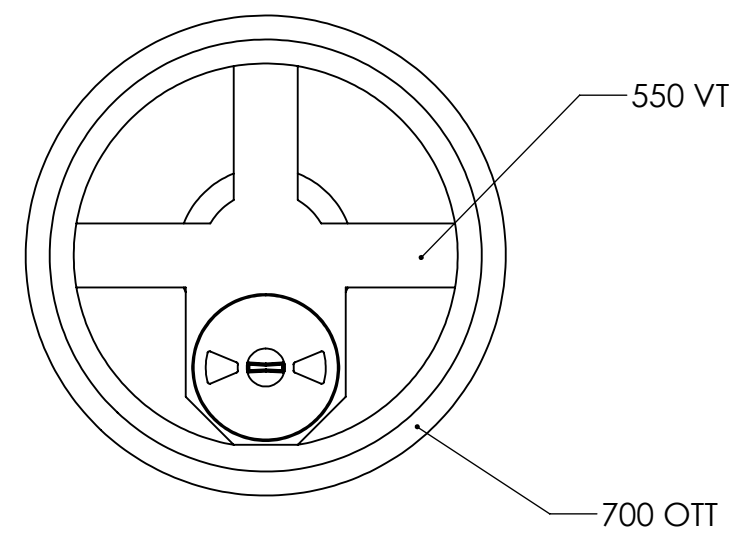


D
C
B
A



NOTES:

1. MATERIAL: HDPE
2. PRIMARY TANK: STD. = 2.0 S.G. 100 LBS
3. CONTAINMENT: STD. = 1.5 S.G. 120 LBS
4. SHIPPING WEIGHT: 220 LBS.

PROPRIETARY AND CONFIDENTIAL
 THE INFORMATION CONTAINED IN THIS DRAWING IS THE SOLE PROPERTY OF <INSERT COMPANY NAME HERE>. ANY REPRODUCTION IN PART OR AS A WHOLE WITHOUT THE WRITTEN PERMISSION OF <INSERT COMPANY NAME HERE> IS PROHIBITED.

		UNLESS OTHERWISE SPECIFIED:		NAME	DATE	CUSTOM ROTO-MOLDING, INC.	
		DIMENSIONS ARE IN INCHES		DRAWN	EBW	7-16-10	
		TOLERANCES:		CHECKED			TITLE:
		FRACTIONAL \pm		ENG APPR.			550 VT - 700 OTT
		ANGULAR: MACH \pm BEND \pm		MFG APPR.			SIZE
		TWO PLACE DECIMAL \pm		Q.A.			DWG. NO.
		THREE PLACE DECIMAL \pm		COMMENTS:			REV
		INTERPRET GEOMETRIC TOLERANCING PER:					
		MATERIAL					
NEXT ASSY	USED ON	FINISH					
APPLICATION		DO NOT SCALE DRAWING					
				SCALE: 1:24		WEIGHT:	
						SHEET 1 OF 1	