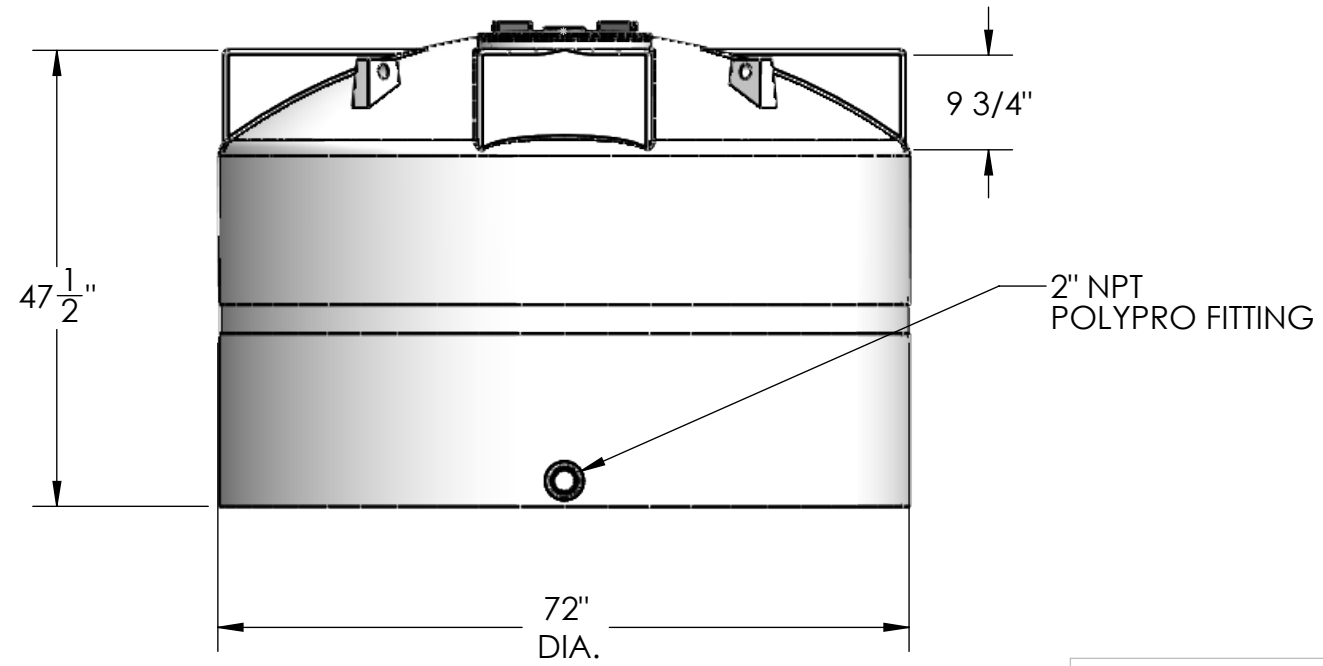
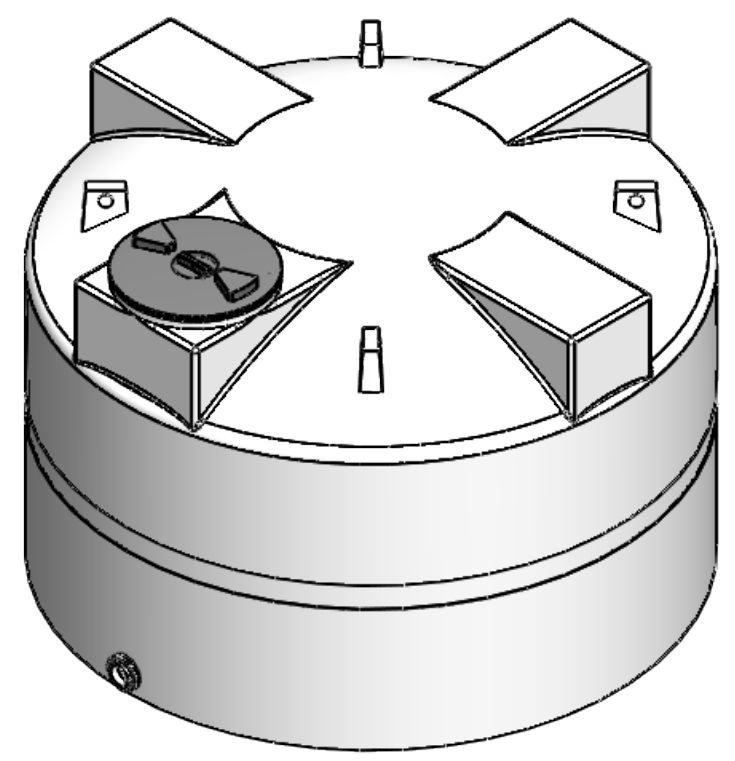
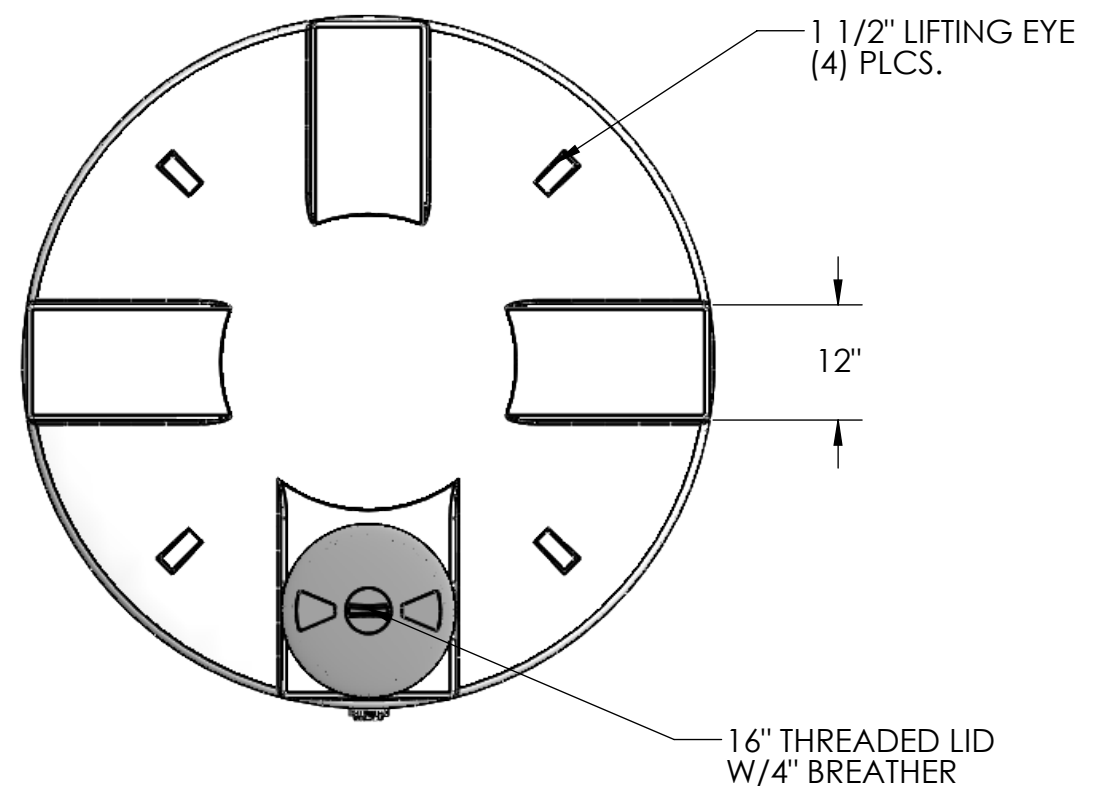


8 7 6 5 4 3 2 1

D
C
B
A



NOTES:

- MATERIAL: HDPE
- WEIGHT: 120 LBS. STD. RATED 1.5 S.G.
140 LBS. HD. RATED 2.0 S.G.

PROPRIETARY AND CONFIDENTIAL
THE INFORMATION CONTAINED IN THIS DRAWING IS THE SOLE PROPERTY OF <INSERT COMPANY NAME HERE>. ANY REPRODUCTION IN PART OR AS A WHOLE WITHOUT THE WRITTEN PERMISSION OF <INSERT COMPANY NAME HERE> IS PROHIBITED.

		UNLESS OTHERWISE SPECIFIED:		NAME	DATE	CUSTOM ROTO-MOLDING, INC.
		DIMENSIONS ARE IN INCHES TOLERANCES: FRACTIONAL ± ANGULAR: MACH ± BEND ± TWO PLACE DECIMAL ± THREE PLACE DECIMAL ±		DRAWN	5-29-09	
		INTERPRET GEOMETRIC TOLERANCING PER:		CHECKED		TITLE:
		MATERIAL		ENG APPR.		750 VERTICAL TANK - SHORT
		FINISH		MFG APPR.		
NEXT ASSY	USED ON	DO NOT SCALE DRAWING		Q.A.		SIZE
APPLICATION				COMMENTS:		DWG. NO.
						B
						750 VTS
						REV
						SCALE: 1:50 WEIGHT:
						SHEET 1 OF 1

8 7 6 5 4 3 2 1