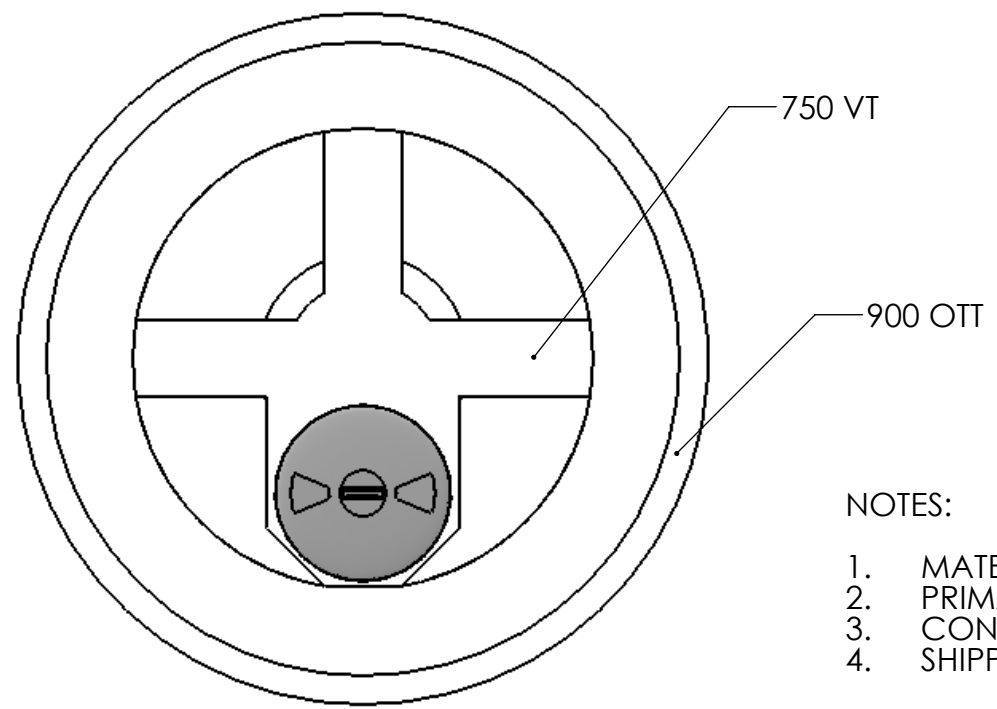
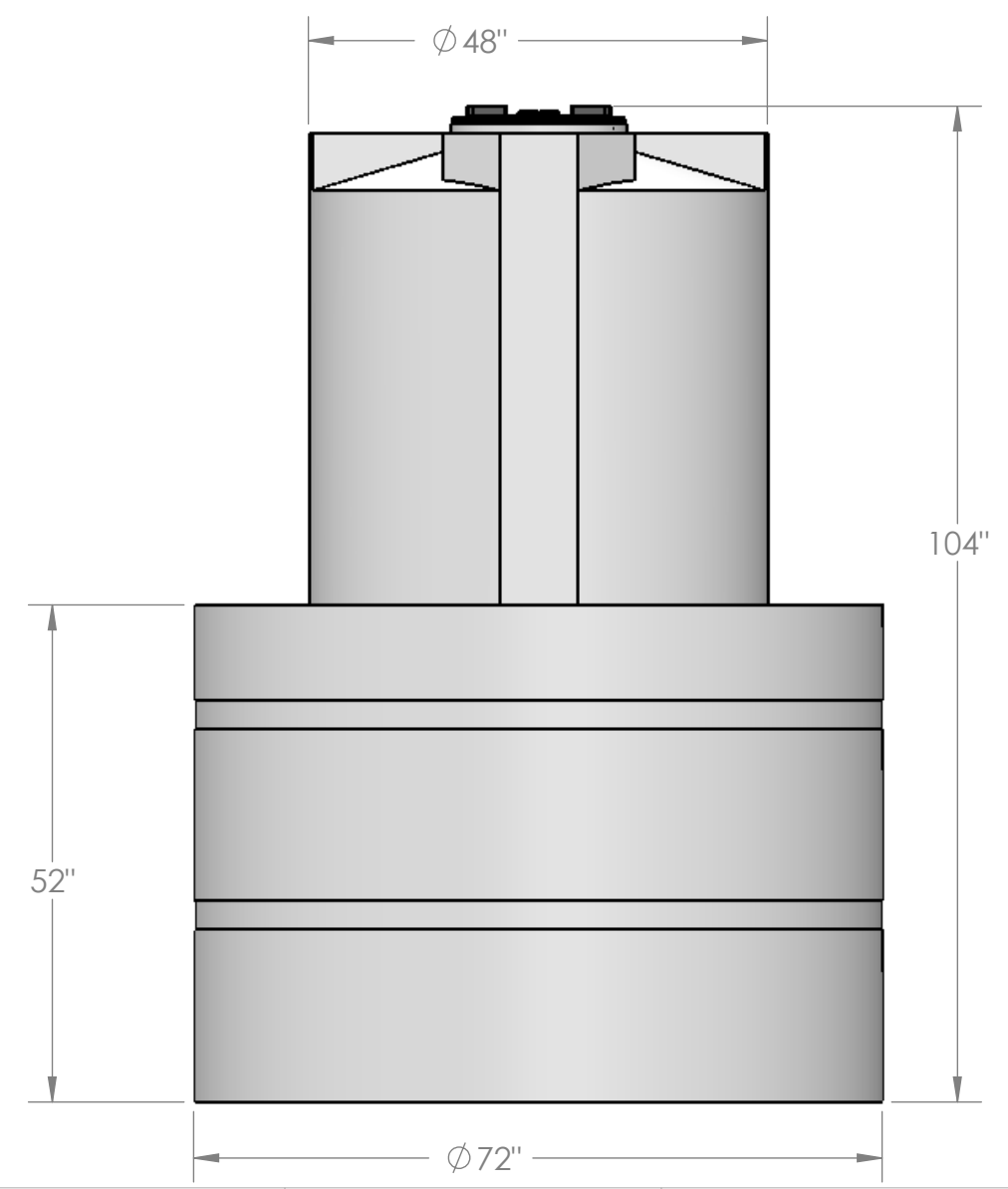
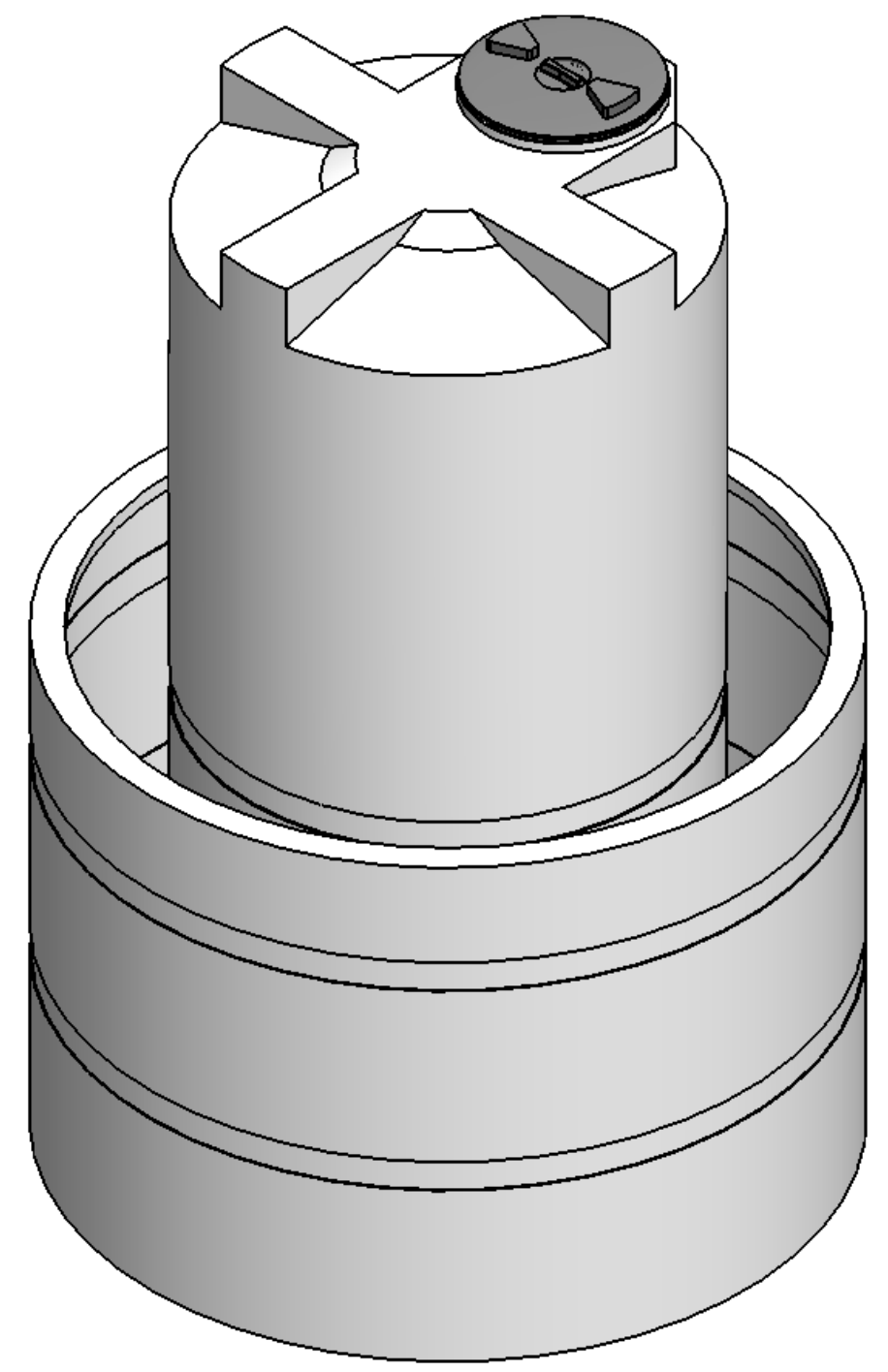


8 7 6 5 4 3 2 1



- NOTES:
1. MATERIAL: HDPE
 2. PRIMARY TANK: STD. = 2.0 S.G. 187 LBS
 3. CONTAINMENT: STD. = 1.5 S.G. 120 LBS.
 4. SHIPPING WEIGHT: 307 LBS.



PROPRIETARY AND CONFIDENTIAL
 THE INFORMATION CONTAINED IN THIS DRAWING IS THE SOLE PROPERTY OF <INSERT COMPANY NAME HERE>. ANY REPRODUCTION IN PART OR AS A WHOLE WITHOUT THE WRITTEN PERMISSION OF <INSERT COMPANY NAME HERE> IS PROHIBITED.

		UNLESS OTHERWISE SPECIFIED:		NAME	DATE	CUSTOM ROTO-MOLDING, INC.	
		DIMENSIONS ARE IN INCHES		DRAWN	EBW	9-1-10	TITLE:
		TOLERANCES:		CHECKED			750 VT, 900 OTT
		FRACTIONAL \pm		ENG APPR.			SIZE
		ANGULAR: MACH \pm BEND \pm		MFG APPR.			DWG. NO.
		TWO PLACE DECIMAL \pm		Q.A.			REV
		THREE PLACE DECIMAL \pm		COMMENTS:			B 750 VTWC
		INTERPRET GEOMETRIC TOLERANCING PER:					SCALE: 1:32
		MATERIAL					WEIGHT:
		FINISH					SHEET 1 OF 1
NEXT ASSY	USED ON	DO NOT SCALE DRAWING					
APPLICATION							

8 7 6 5 4 3 2 1