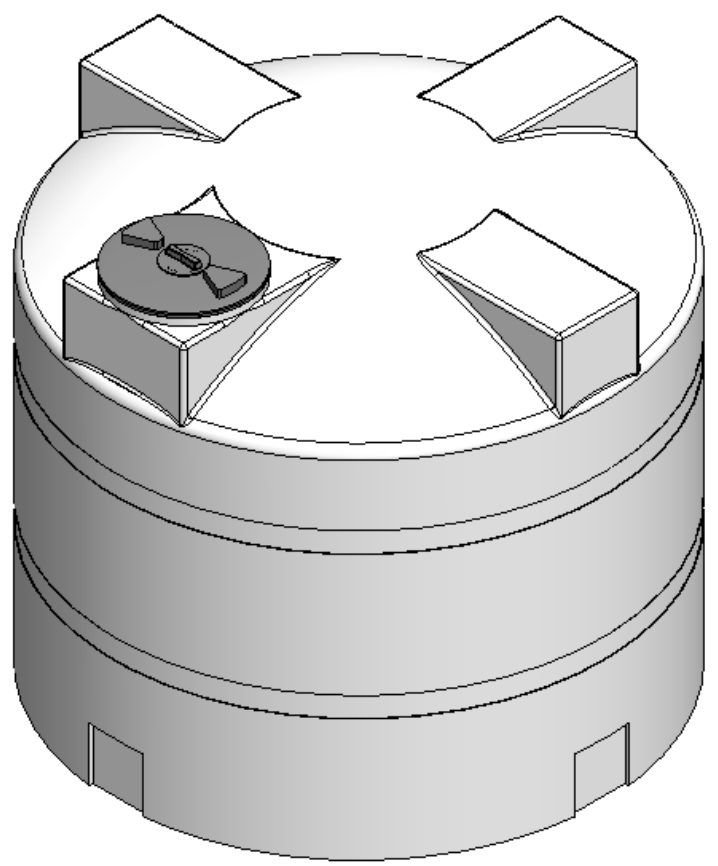
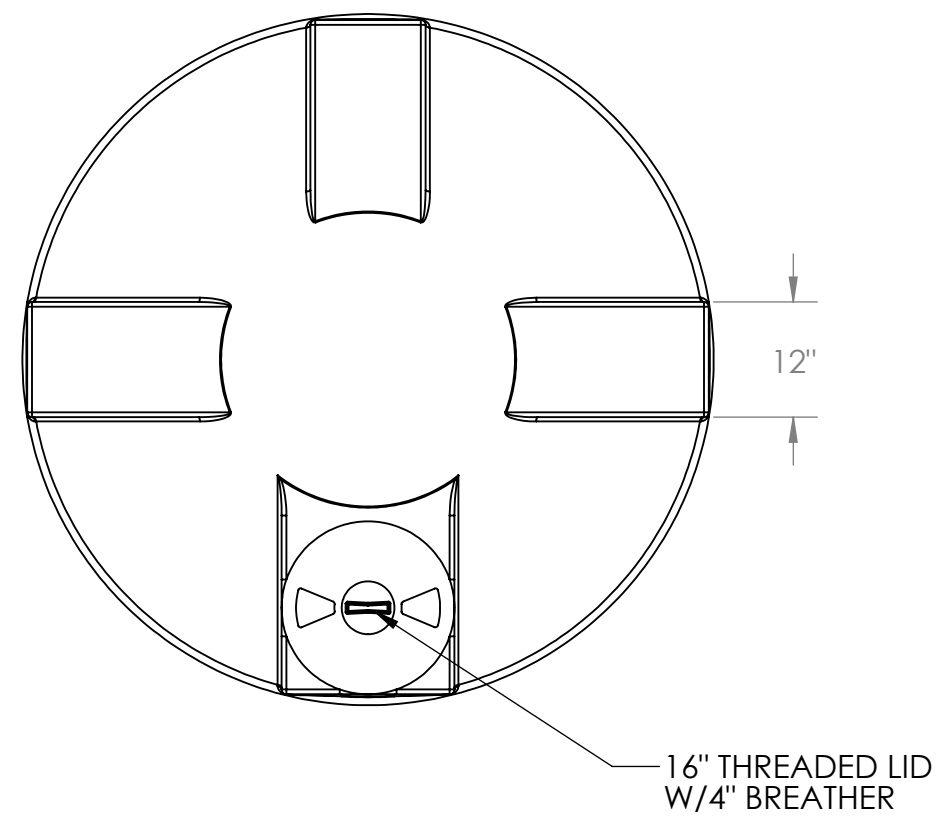


8 7 6 5 4 3 2 1

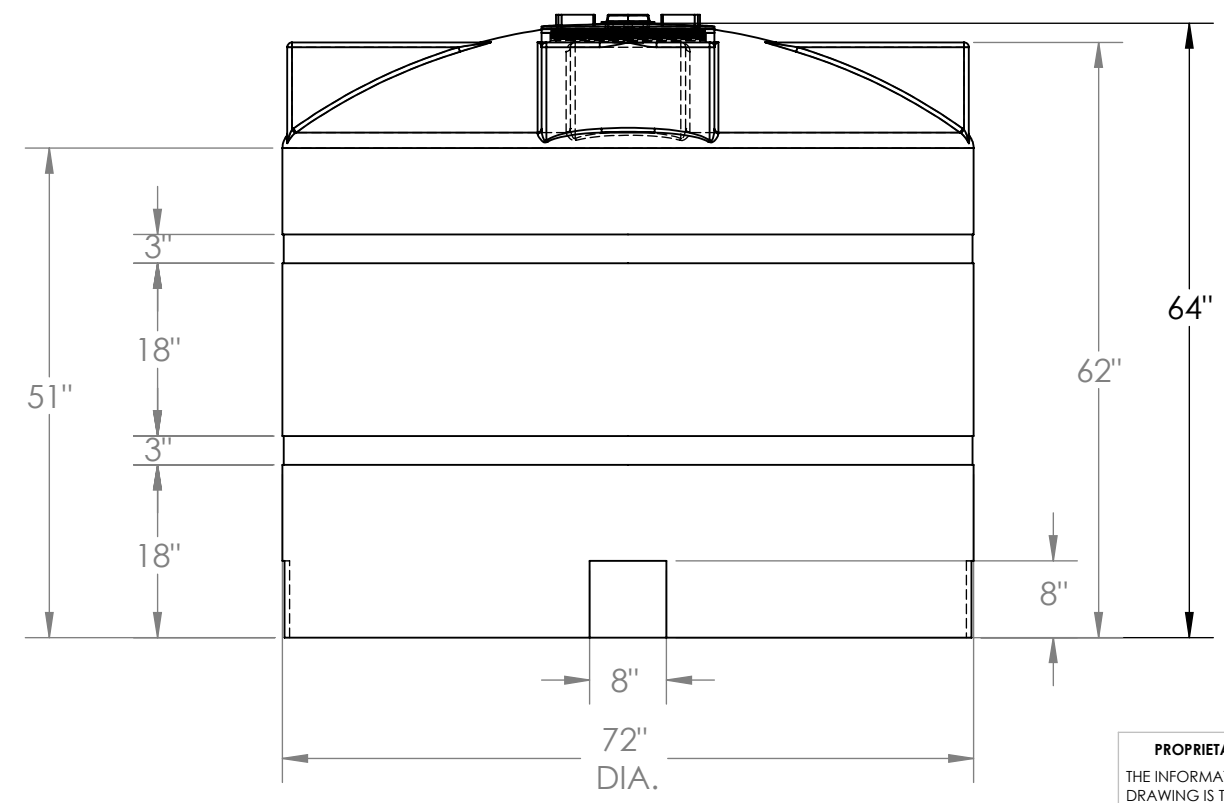
REVISIONS				
ZONE	REV.	DESCRIPTION	DATE	APPROVED
B-2	A	WEIGHT CHANGE	3-3-2010	EBW

D
C
B
A



NOTES:

1. MATERIAL: POLYETHYLENE
2. WEIGHT: 160 LBS. STD. RATED 1.5 S.G.
212 LBS. HD. RATED 2.0 S.G.



PROPRIETARY AND CONFIDENTIAL
 THE INFORMATION CONTAINED IN THIS DRAWING IS THE SOLE PROPERTY OF <INSERT COMPANY NAME HERE>. ANY REPRODUCTION IN PART OR AS A WHOLE WITHOUT THE WRITTEN PERMISSION OF <INSERT COMPANY NAME HERE> IS PROHIBITED.

		UNLESS OTHERWISE SPECIFIED:		NAME	DATE	CUSTOM ROTO-MOLDING, INC.
		DIMENSIONS ARE IN INCHES TOLERANCES: FRACTIONAL ± ANGULAR: MACH ± BEND ± TWO PLACE DECIMAL ± THREE PLACE DECIMAL ±		DRAWN	5-29-09	
		INTERPRET GEOMETRIC TOLERANCING PER:		CHECKED		TITLE: 1000 GALLON VERTICAL TANK
		MATERIAL		ENG APPR.		
NEXT ASSY	USED ON	FINISH		MFG APPR.		SIZE B DWG. NO.
APPLICATION		DO NOT SCALE DRAWING		Q.A.		REV A
				COMMENTS:		SCALE: 1:50 WEIGHT: SHEET 1 OF 1

8 7 6 5 4 3 2 1