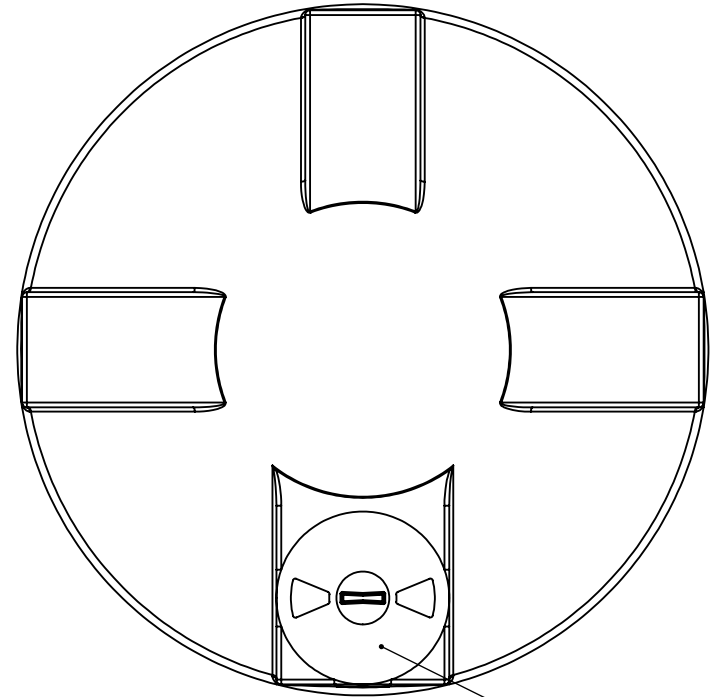
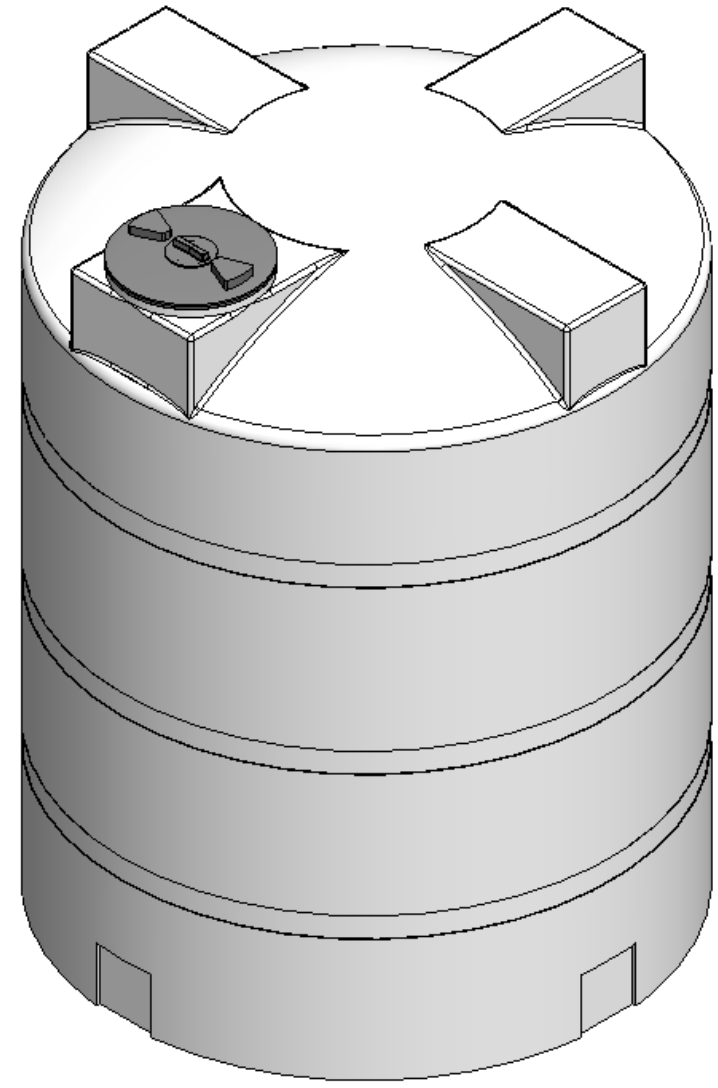


8 7 6 5 4 3 2 1

REVISIONS				
ZONE	REV.	DESCRIPTION	DATE	APPROVED
B-2	A	WEIGHT CHANGE	3-3-2010	EBW

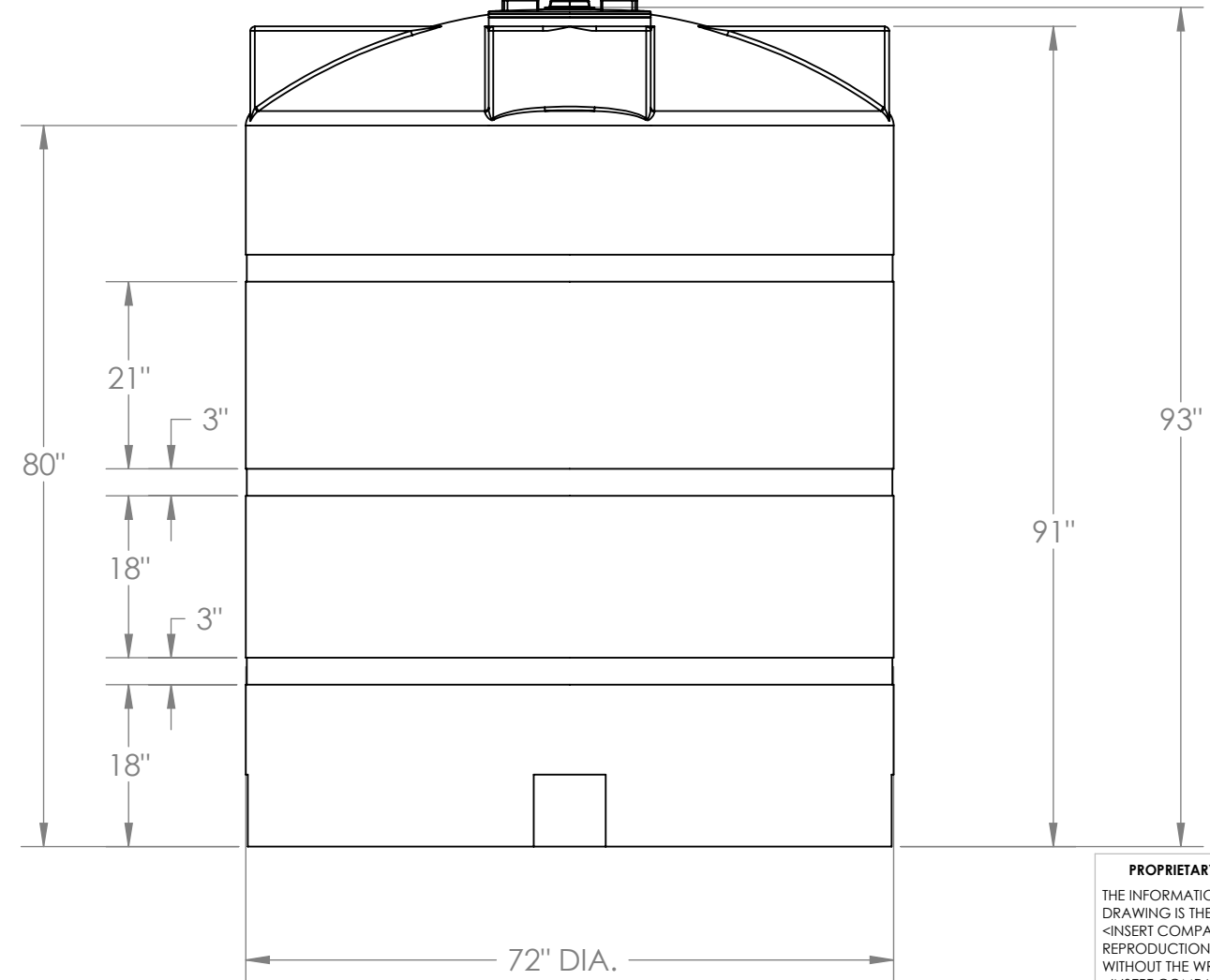


16" THREADED LID
W/4" BREATHER



D
C
B
A

D
C
B
A



NOTES:

1. MATERIAL: POLYETHYLENE
2. WEIGHT: 290 LBS STD. RATED 1.5 S.G.
383 LBS HD. RATED 2.0 S.G.

PROPRIETARY AND CONFIDENTIAL
THE INFORMATION CONTAINED IN THIS DRAWING IS THE SOLE PROPERTY OF <INSERT COMPANY NAME HERE>. ANY REPRODUCTION IN PART OR AS A WHOLE WITHOUT THE WRITTEN PERMISSION OF <INSERT COMPANY NAME HERE> IS PROHIBITED.

		UNLESS OTHERWISE SPECIFIED:	NAME	DATE	CUSTOM ROTO-MOLDING, INC.
		DIMENSIONS ARE IN INCHES TOLERANCES: FRACTIONAL ± ANGULAR: MACH ± BEND ± TWO PLACE DECIMAL ± THREE PLACE DECIMAL ±	EBW	8-24-09	
		INTERPRET GEOMETRIC TOLERANCING PER:	DRAWN		TITLE: 1500 GALLON VERTICAL TANK
		MATERIAL	CHECKED		
		FINISH	ENG APPR.		SIZE DWG. NO. REV B 1500 VT A
NEXT ASSY	USED ON		MFG APPR.		
APPLICATION		DO NOT SCALE DRAWING	Q.A.		SCALE: 1:50 WEIGHT:
			COMMENTS:		SHEET 1 OF 1

8 7 6 5 4 3 2 1