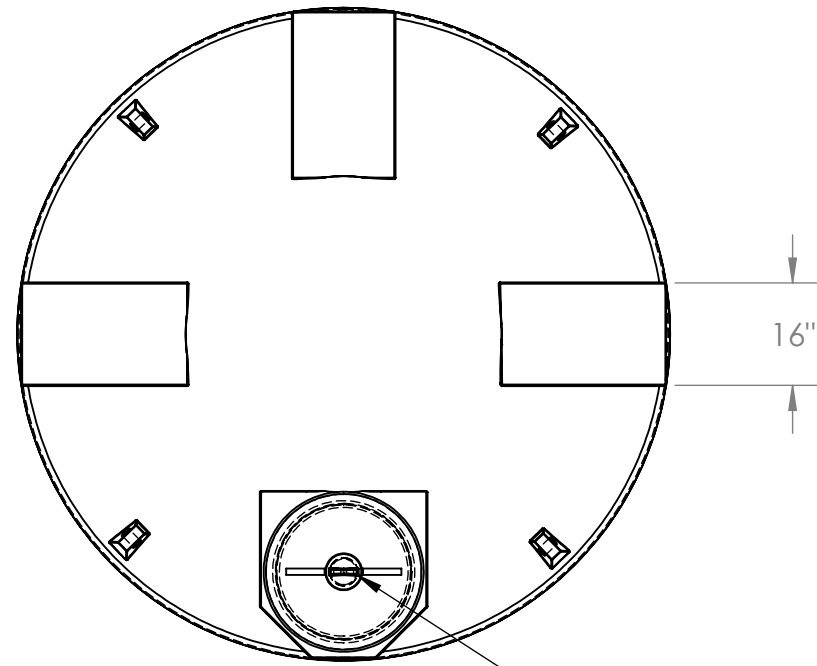


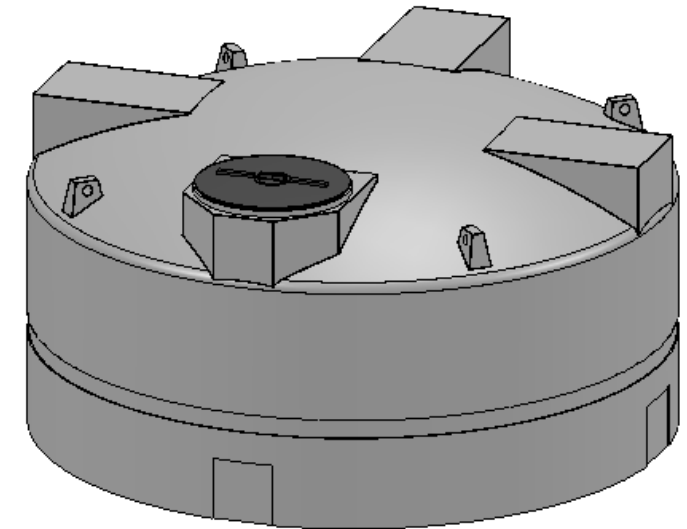
8 7 6 5 4 3 2 1

REVISIONS				
ZONE	REV.	DESCRIPTION	DATE	APPROVED
B-2	A	WEIGHT CHANGE	3-3-2010	EBW



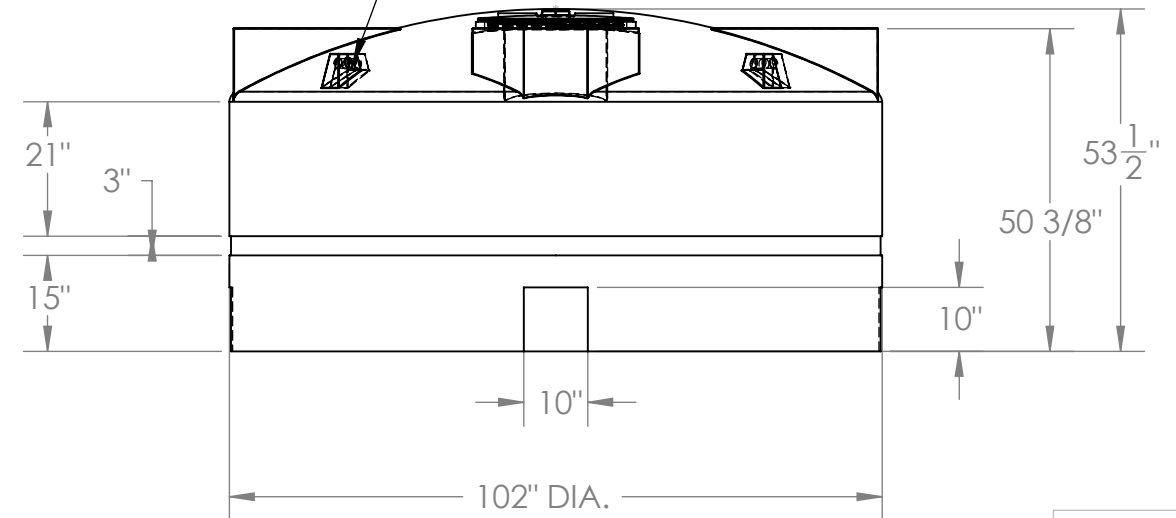
24" THREADED LID  
W/4" BREATHER

1 1/2" LIFTING  
EYE (4) PLCS



NOTES:

- MATERIAL: POLYETHYLENE
- WEIGHT: STD. RATED 1.5 S.G. 265 LBS  
HD. RATED 2.0 S.G. 350 LBS



**PROPRIETARY AND CONFIDENTIAL**  
THE INFORMATION CONTAINED IN THIS DRAWING IS THE SOLE PROPERTY OF <INSERT COMPANY NAME HERE>. ANY REPRODUCTION IN PART OR AS A WHOLE WITHOUT THE WRITTEN PERMISSION OF <INSERT COMPANY NAME HERE> IS PROHIBITED.

UNLESS OTHERWISE SPECIFIED:		NAME	DATE	CUSTOM ROTO-MOLDING, INC.
DIMENSIONS ARE IN INCHES		EBW	6/4/09	
TOLERANCES:		DRAWN		TITLE: <b>1600 GALLON VERTICAL TANK</b>
FRACTIONAL ±		CHECKED		
ANGULAR: MACH ± BEND ±		ENG APPR.		
TWO PLACE DECIMAL ±		MFG APPR.		
THREE PLACE DECIMAL ±		Q.A.		SIZE DWG. NO. REV <b>B 1600 VTS</b>
INTERPRET GEOMETRIC TOLERANCING PER:		COMMENTS:		
MATERIAL				SCALE: 1:50 WEIGHT: SHEET 1 OF 1
FINISH				
NEXT ASSY	USED ON			
APPLICATION		DO NOT SCALE DRAWING		

8 7 6 5 4 3 2 1