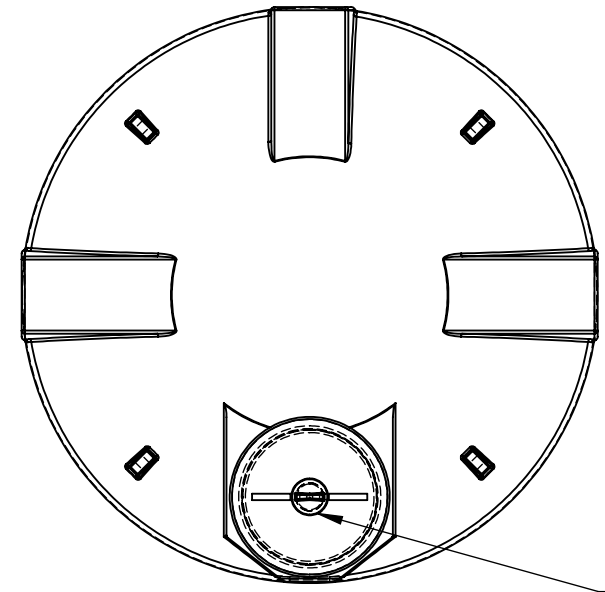


8 7 6 5 4 3 2 1

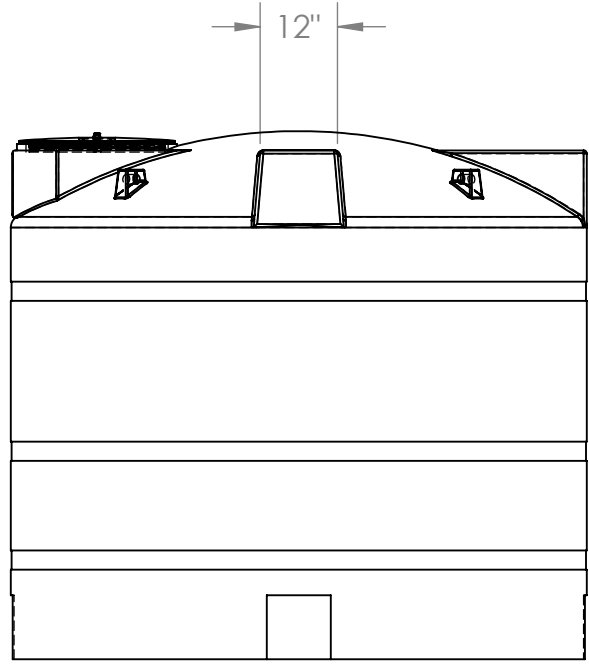
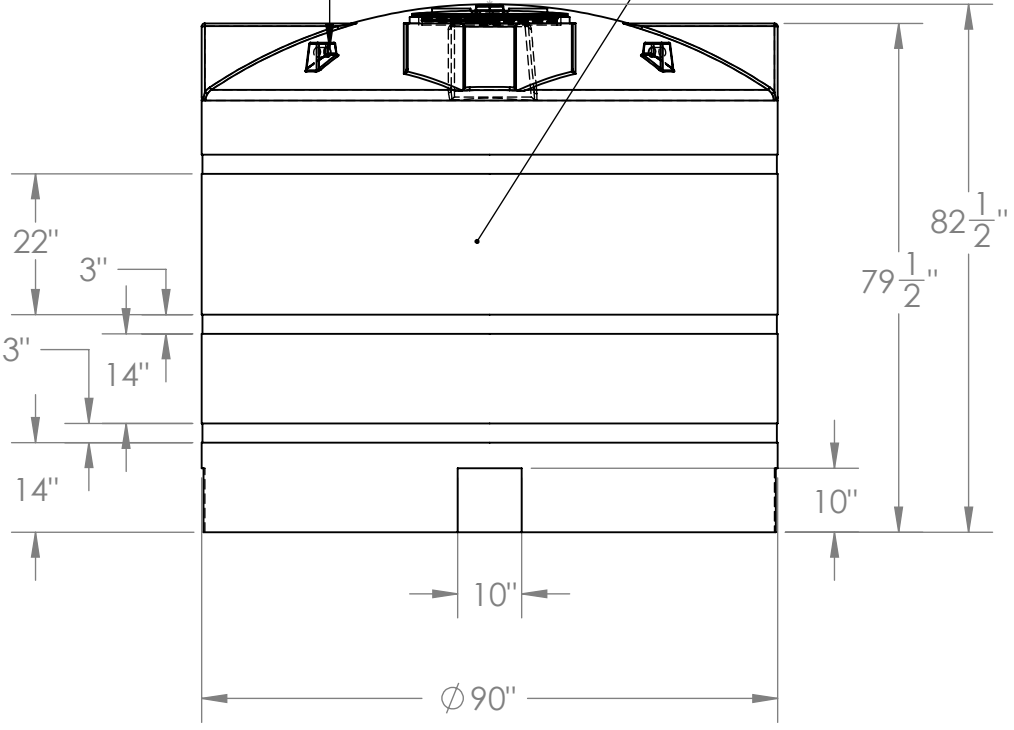
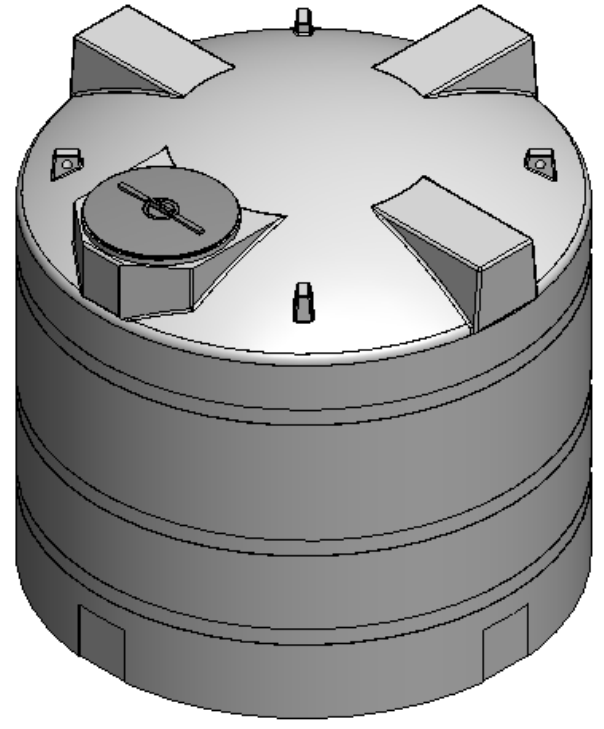
REVISIONS				
ZONE	REV.	DESCRIPTION	DATE	APPROVED
B-2	A	WEIGHT CHANGE	3-3-2010	EBW



24" THREADED LID
W/4" BREATHER.

1 1/2" LIFTING
EYE (4) PLCS.

APPROX.
GALLON MARKINGS



NOTES:

- MATERIAL: POLYETHYLENE
- WEIGHT: 350 LBS STD. RATED 1.5 SG
450 LBS HD. RATED 2.0 SG

PROPRIETARY AND CONFIDENTIAL
THE INFORMATION CONTAINED IN THIS DRAWING IS THE SOLE PROPERTY OF <INSERT COMPANY NAME HERE>. ANY REPRODUCTION IN PART OR AS A WHOLE WITHOUT THE WRITTEN PERMISSION OF <INSERT COMPANY NAME HERE> IS PROHIBITED.

UNLESS OTHERWISE SPECIFIED:		NAME	DATE	CUSTOM ROTO-MOLDING, INC.
DIMENSIONS ARE IN INCHES TOLERANCES: FRACTIONAL ± ANGULAR: MACH ± BEND ± TWO PLACE DECIMAL ± THREE PLACE DECIMAL ±		EBW	3/3/09	
INTERPRET GEOMETRIC TOLERANCING PER:		DRAWN		TITLE: 2000 GALLON TANK W/ 24" LID
MATERIAL		CHECKED		
FINISH		ENG APPR.		
DO NOT SCALE DRAWING		MFG APPR.		SIZE DWG. NO. REV B 2000 VT. A
NEXT ASSY	USED ON	Q.A.		SCALE: 1:50 WEIGHT: SHEET 1 OF 1
APPLICATION		COMMENTS:		

8 7 6 5 4 3 2 1