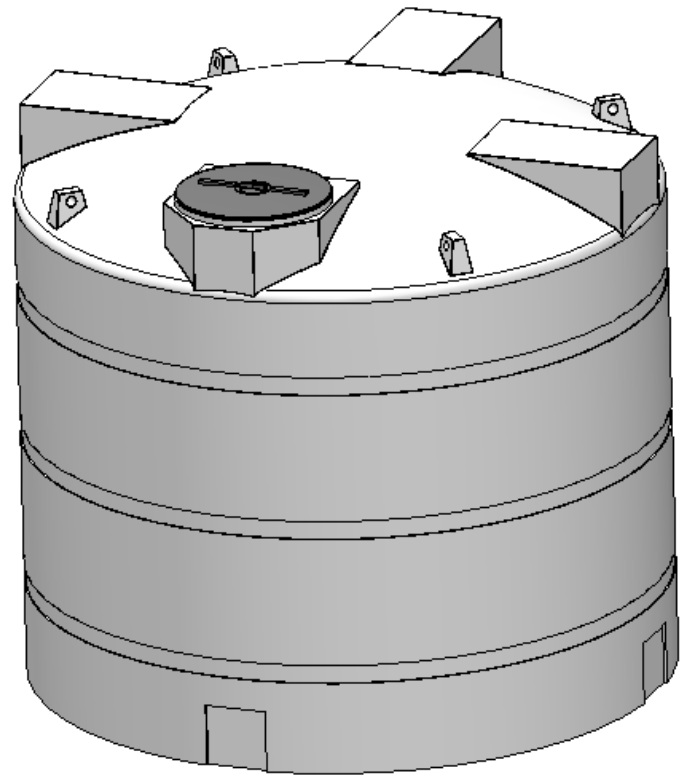
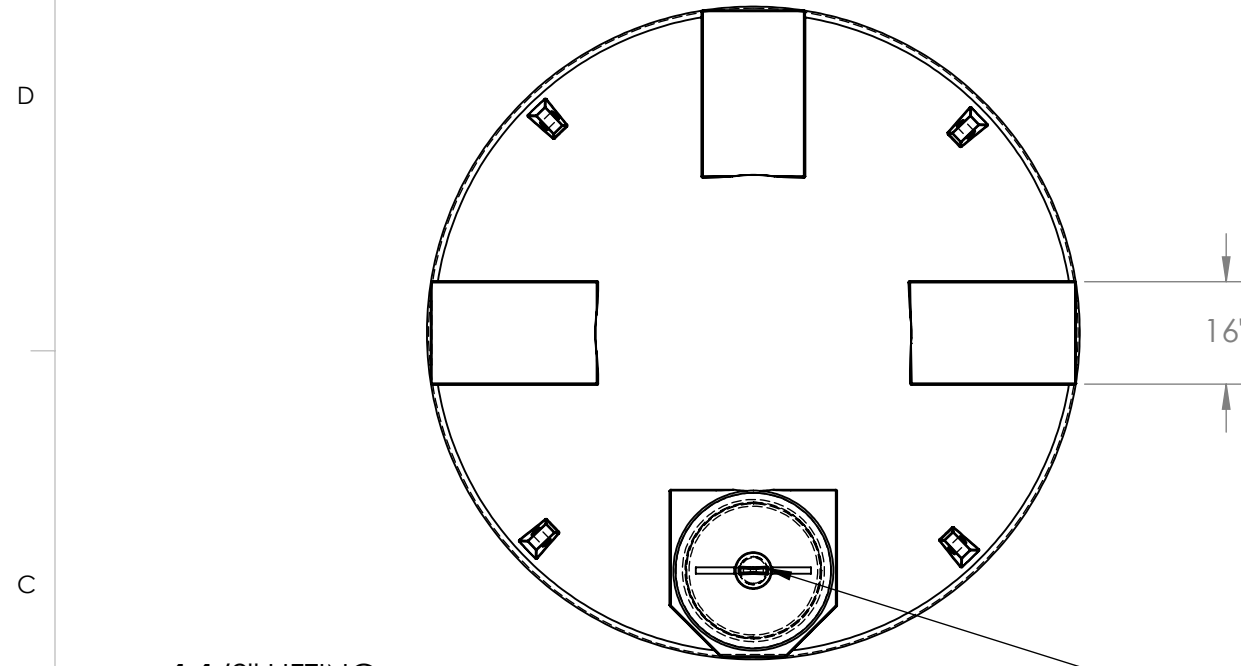


8 7 6 5 4 3 2 1

REVISIONS				
ZONE	REV.	DESCRIPTION	DATE	APPROVED
2-B	A	WEIGHT CHANGE	3-3-2010	EBW



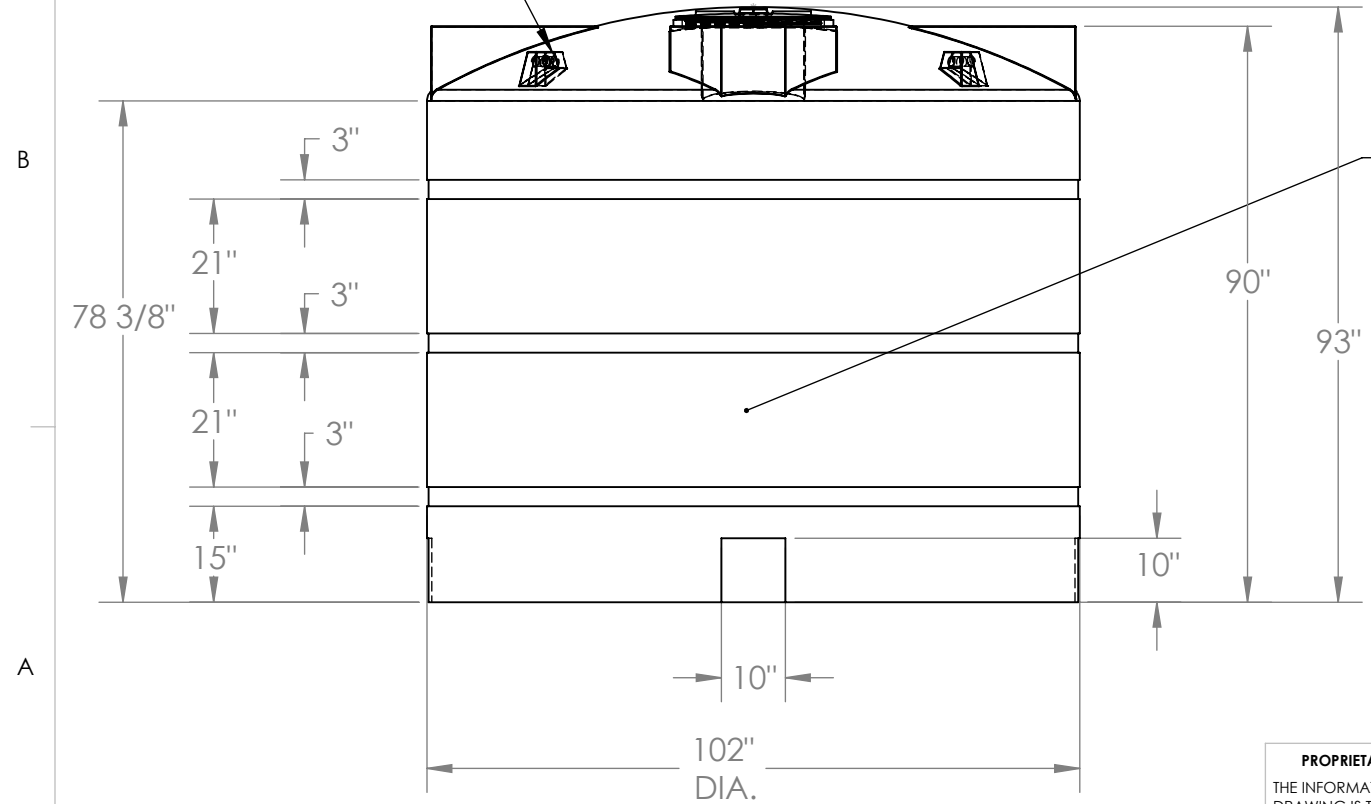
1 1/2" LIFTING EYE (4) PLCS.

24" THREADED LID W/4" BREATHER

APPROX. GALLON MARKERS

NOTES:

- MATERIAL: POLYETHYLENE
- WEIGHT: 650 LBS STD. RATED 1.5 SG.  
850 LBS HD. RATED 2.0 SG.



**PROPRIETARY AND CONFIDENTIAL**  
 THE INFORMATION CONTAINED IN THIS DRAWING IS THE SOLE PROPERTY OF <INSERT COMPANY NAME HERE>. ANY REPRODUCTION IN PART OR AS A WHOLE WITHOUT THE WRITTEN PERMISSION OF <INSERT COMPANY NAME HERE> IS PROHIBITED.

UNLESS OTHERWISE SPECIFIED:		NAME	DATE	CUSTOM ROTO-MOLDING, INC.			
DIMENSIONS ARE IN INCHES		DRAWN	EBW	5-29-09	TITLE: <b>3000 GALLON VERTICAL TANK</b>		
TOLERANCES:		CHECKED					
FRACTIONAL ±		ENG APPR.					
ANGULAR: MACH ± BEND ±		MFG APPR.					
TWO PLACE DECIMAL ±		Q.A.			SIZE	DWG. NO.	REV
THREE PLACE DECIMAL ±		COMMENTS:			<b>B</b>	<b>3000 VT</b>	<b>A</b>
INTERPRET GEOMETRIC TOLERANCING PER:	MATERIAL			SCALE: 1:50	WEIGHT:	SHEET 1 OF 1	
FINISH	DO NOT SCALE DRAWING						
NEXT ASSY	USED ON						
APPLICATION							

8 7 6 5 4 3 2 1