

8 7 6 5 4 3 2 1

D

C

B

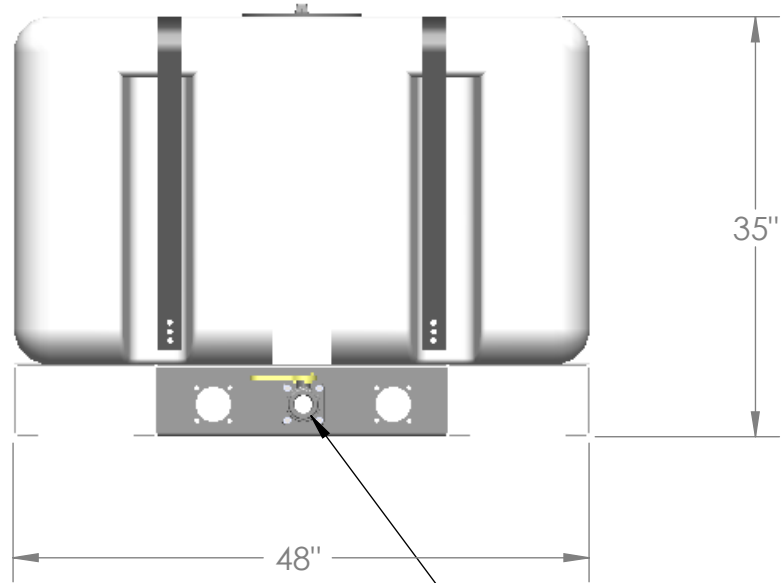
A

D

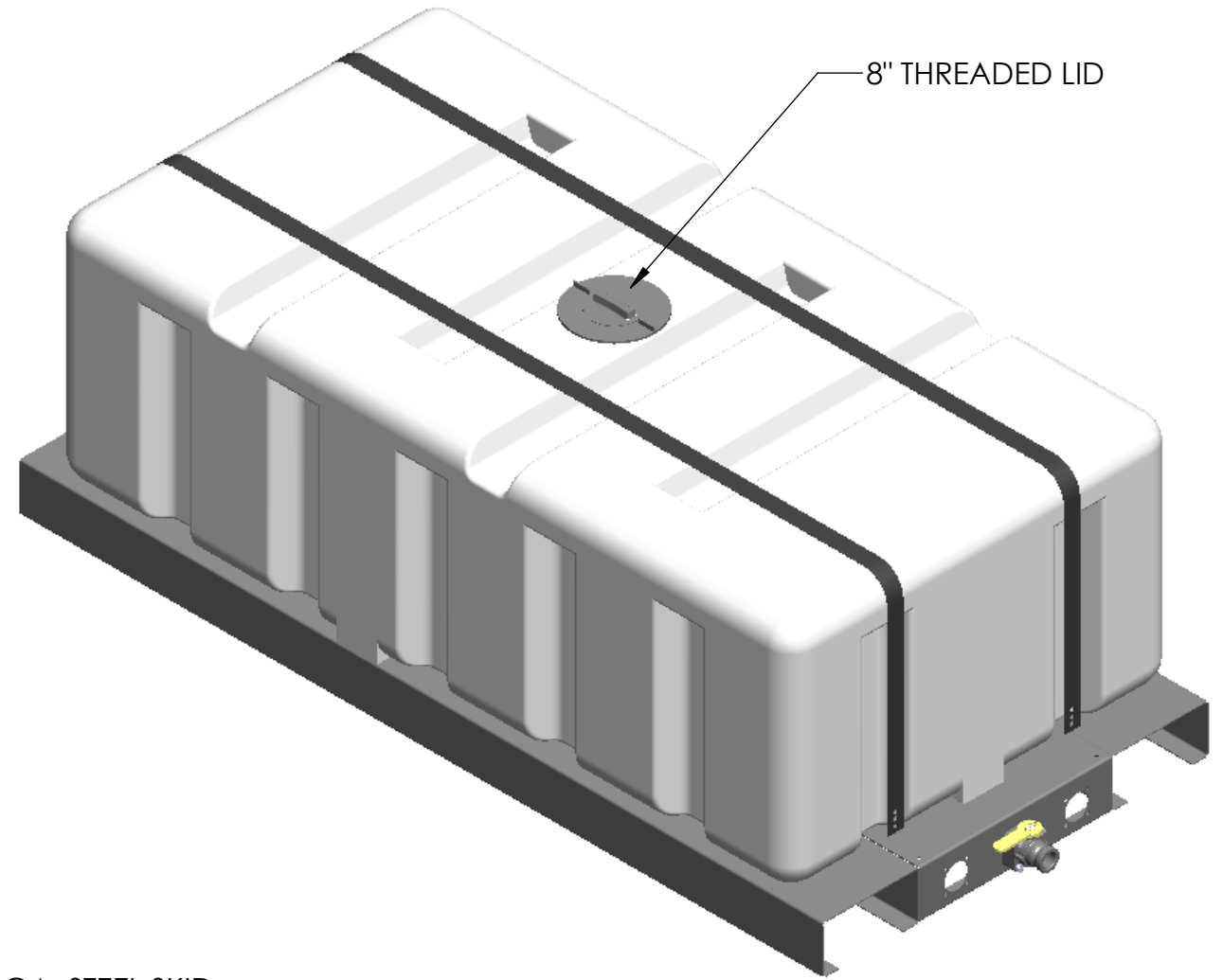
C

B

A

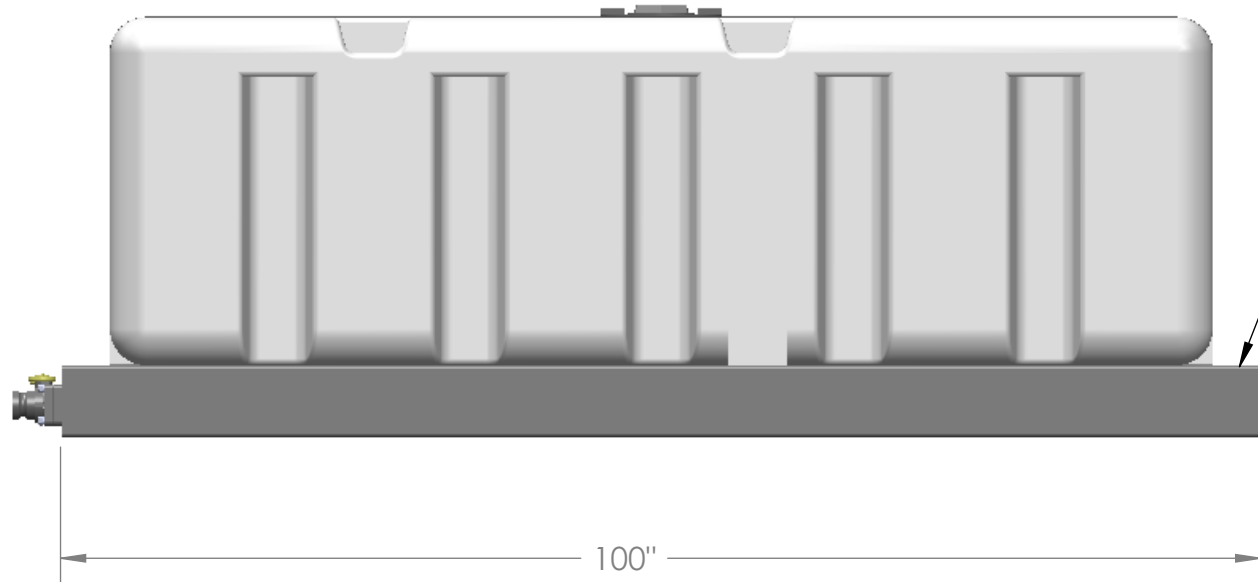


2" BALL VALVE
W/QUICK DISCONNECT



8" THREADED LID

10 GA. STEEL SKID



100"

NOTES:
1. SHIPPING WT. 535 LBS.

PROPRIETARY AND CONFIDENTIAL
THE INFORMATION CONTAINED IN THIS DRAWING IS THE SOLE PROPERTY OF <INSERT COMPANY NAME HERE>. ANY REPRODUCTION IN PART OR AS A WHOLE WITHOUT THE WRITTEN PERMISSION OF <INSERT COMPANY NAME HERE> IS PROHIBITED.

		UNLESS OTHERWISE SPECIFIED:		NAME	DATE	CUSTOM ROTO-MOLDING, INC.	
		DIMENSIONS ARE IN INCHES		DRAWN	EBW	5-31-11	
		TOLERANCES:		CHECKED			TITLE:
		FRACTIONAL ±		ENG APPR.			500 GALLON RECTANGULAR
		ANGULAR: MACH ± BEND ±		MFG APPR.			TANK WITH SKID ASSY.
		TWO PLACE DECIMAL ±		Q.A.			SIZE
		THREE PLACE DECIMAL ±		COMMENTS:			DWG. NO.
		INTERPRET GEOMETRIC TOLERANCING PER:					REV
		MATERIAL					B 500 RTSA
NEXT ASSY	USED ON	FINISH					SCALE: 1:24
APPLICATION		DO NOT SCALE DRAWING					WEIGHT:
							SHEET 1 OF 1

8 7 6 5 4 3 2 1