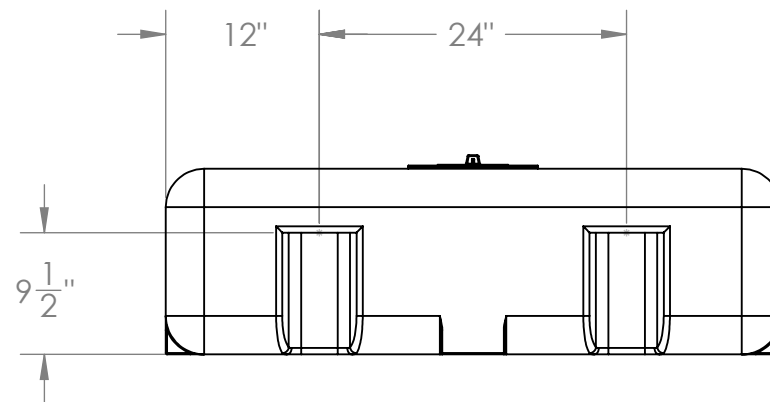


FITTING LOCATIONS
(4) PLCS.



NOTES:

1. MATERIAL: POLYETHYLENE
2. CAPACITY: 50 GALLONS
3. WEIGHT: 25 LBS

PROPRIETARY AND CONFIDENTIAL
THE INFORMATION CONTAINED IN THIS DRAWING IS THE SOLE PROPERTY OF <INSERT COMPANY NAME HERE>. ANY REPRODUCTION IN PART OR AS A WHOLE WITHOUT THE WRITTEN PERMISSION OF <INSERT COMPANY NAME HERE> IS PROHIBITED.

		UNLESS OTHERWISE SPECIFIED:		NAME	DATE	CUSTOM ROTO-MOLDING, INC.
		DIMENSIONS ARE IN INCHES TOLERANCES: FRACTIONAL ± ANGULAR: MACH ± BEND ± TWO PLACE DECIMAL ± THREE PLACE DECIMAL ±		DRAWN	EBW	
		INTERPRET GEOMETRIC TOLERANCING PER:		CHECKED		TITLE: 50 GALLON RECTANGULAR TANK
		MATERIAL		ENG APPR.		
		FINISH		MFG APPR.		
NEXT ASSY	USED ON	DO NOT SCALE DRAWING		Q.A.		SIZE
APPLICATION				COMMENTS:		DWG. NO.
						B
						50 RT
						REV
						SCALE: 1:20
						WEIGHT:
						SHEET 1 OF 1