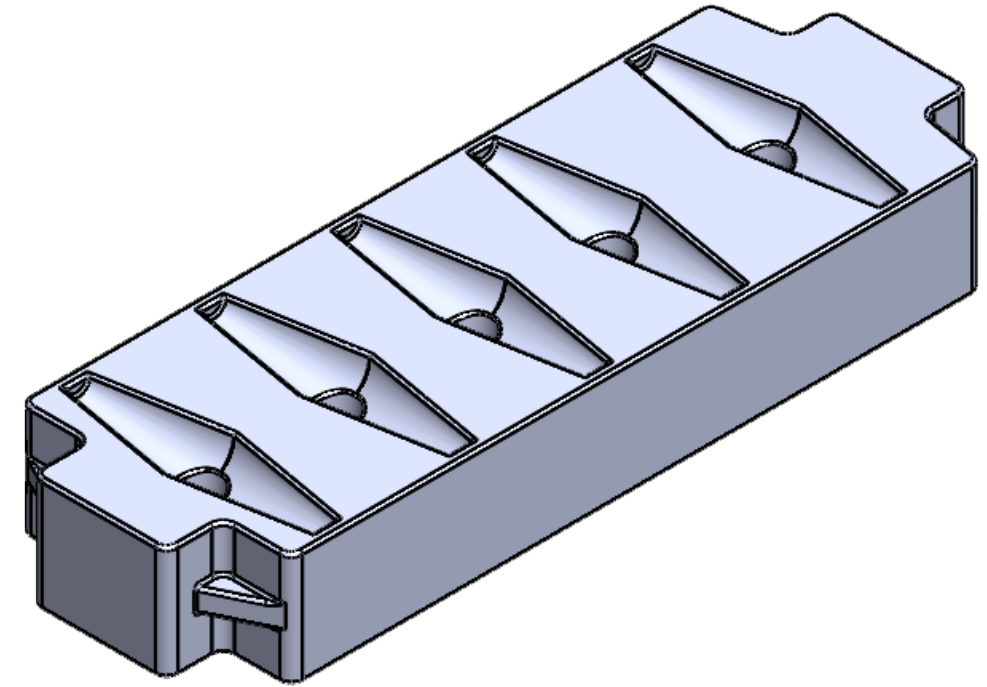
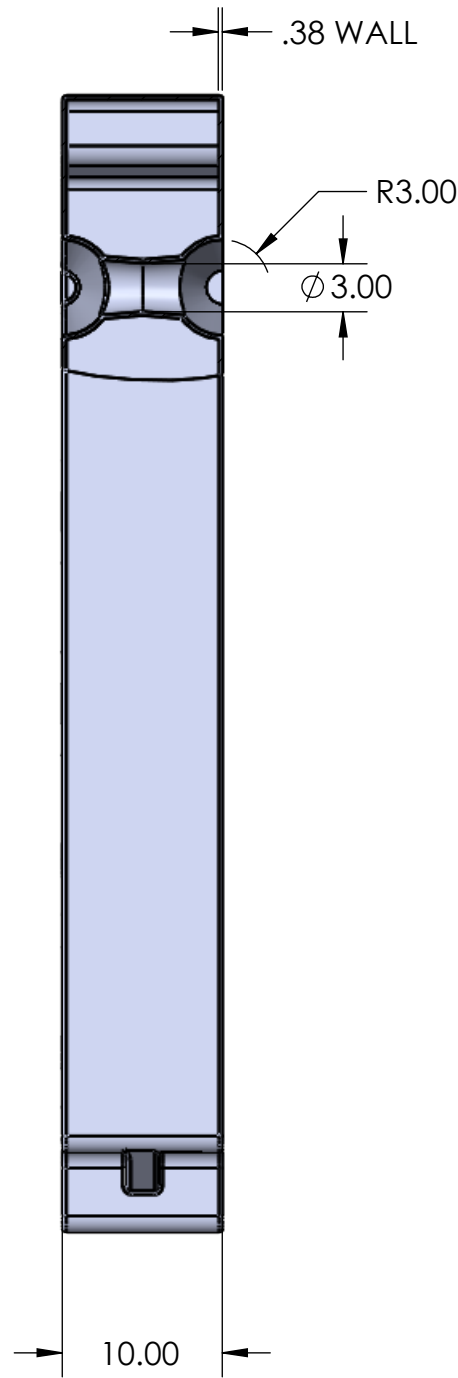
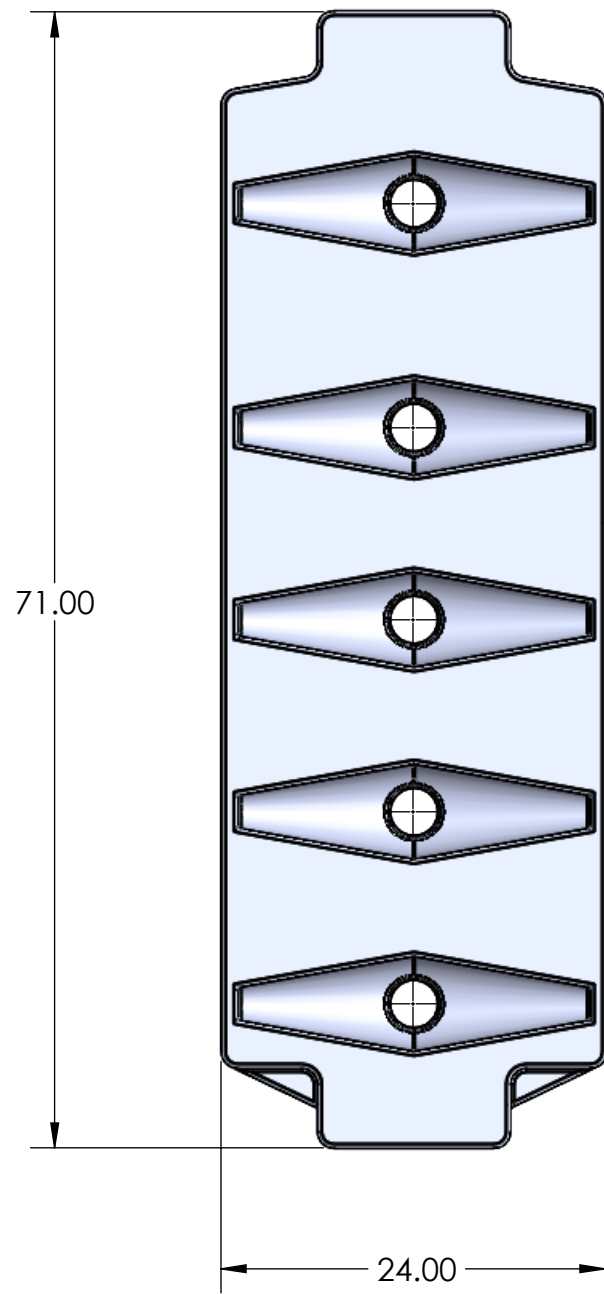



D  
C  
B  
A



- NOTES:
1. MATERIAL: POLYETHYLENE
  2. AVG. WALL THICKNESS: .35
  3. WT. 70 LBS.

A

**PROPRIETARY AND CONFIDENTIAL**  
 THE INFORMATION CONTAINED IN THIS DRAWING IS THE SOLE PROPERTY OF <INSERT COMPANY NAME HERE>. ANY REPRODUCTION IN PART OR AS A WHOLE WITHOUT THE WRITTEN PERMISSION OF <INSERT COMPANY NAME HERE> IS PROHIBITED.

		UNLESS OTHERWISE SPECIFIED:		NAME	DATE	 <b>866-310-2556</b> TITLE: <b>PLASTIC MART 50 GALLON STORMWATER TANK</b> SIZE <b>B</b> DWG. NO. REV SCALE: 1:16 WEIGHT: SHEET 1 OF 1	
		DIMENSIONS ARE IN INCHES		DRAWN	EBW		1/24/19
		TOLERANCES:		CHECKED			
		FRACTIONAL ±		ENG APPR.			
		ANGULAR: MACH ± BEND ±		MFG APPR.			
		TWO PLACE DECIMAL ±		Q.A.			
		THREE PLACE DECIMAL ±		COMMENTS:			
		INTERPRET GEOMETRIC TOLERANCING PER:					
		MATERIAL					
		FINISH					
NEXT ASSY	USED ON						
APPLICATION		DO NOT SCALE DRAWING					