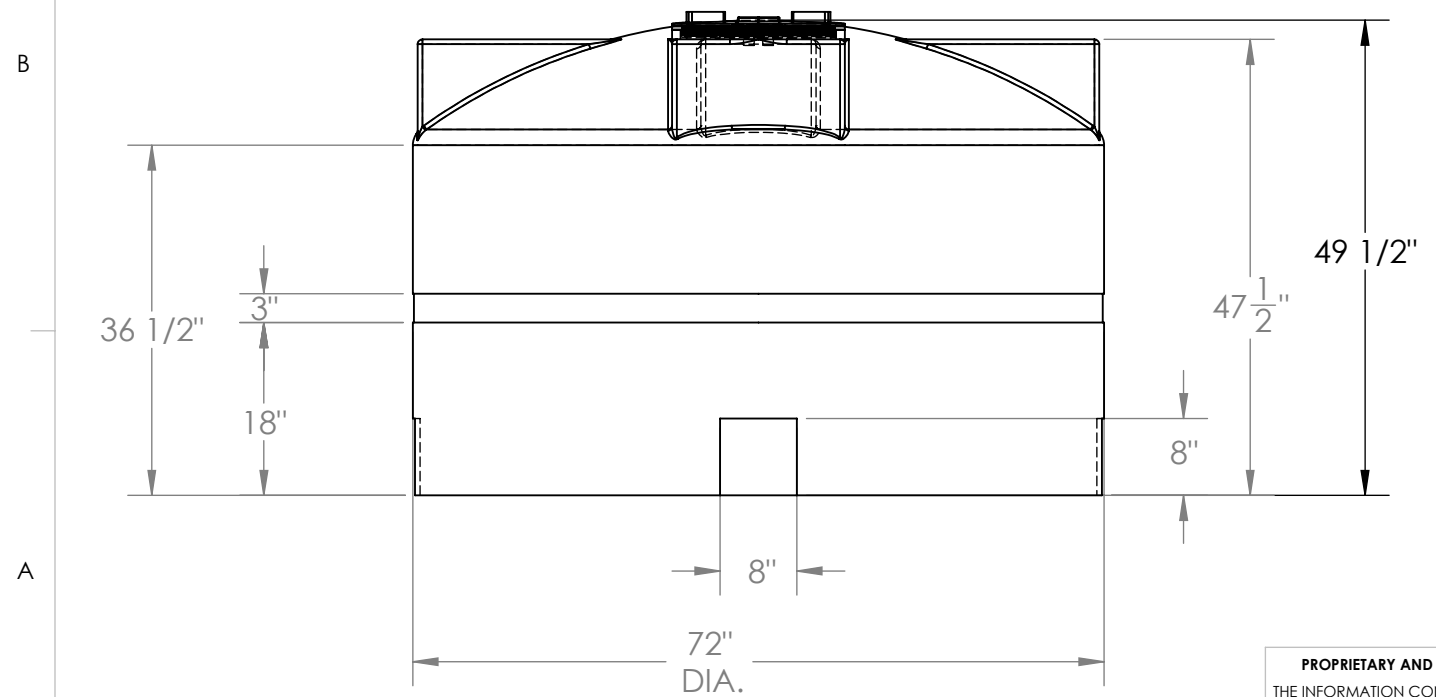
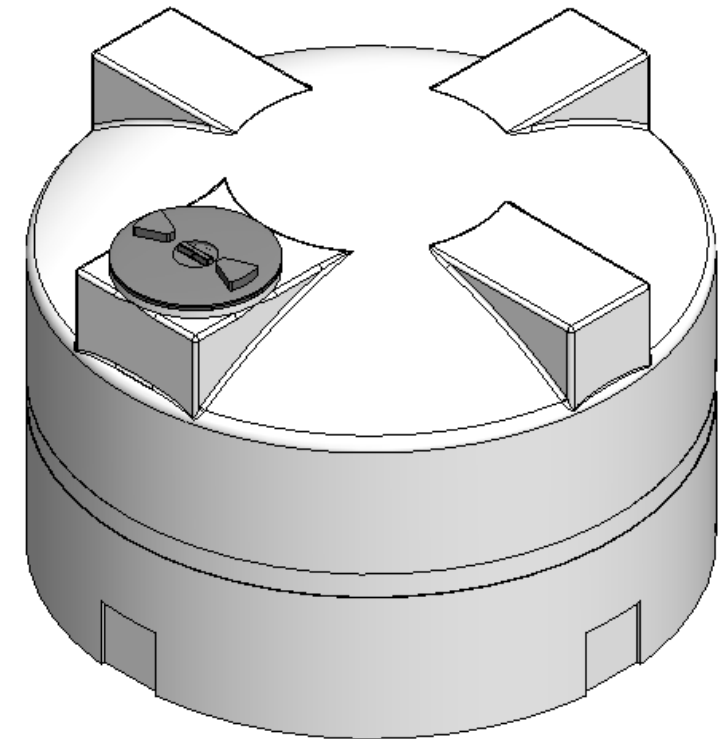
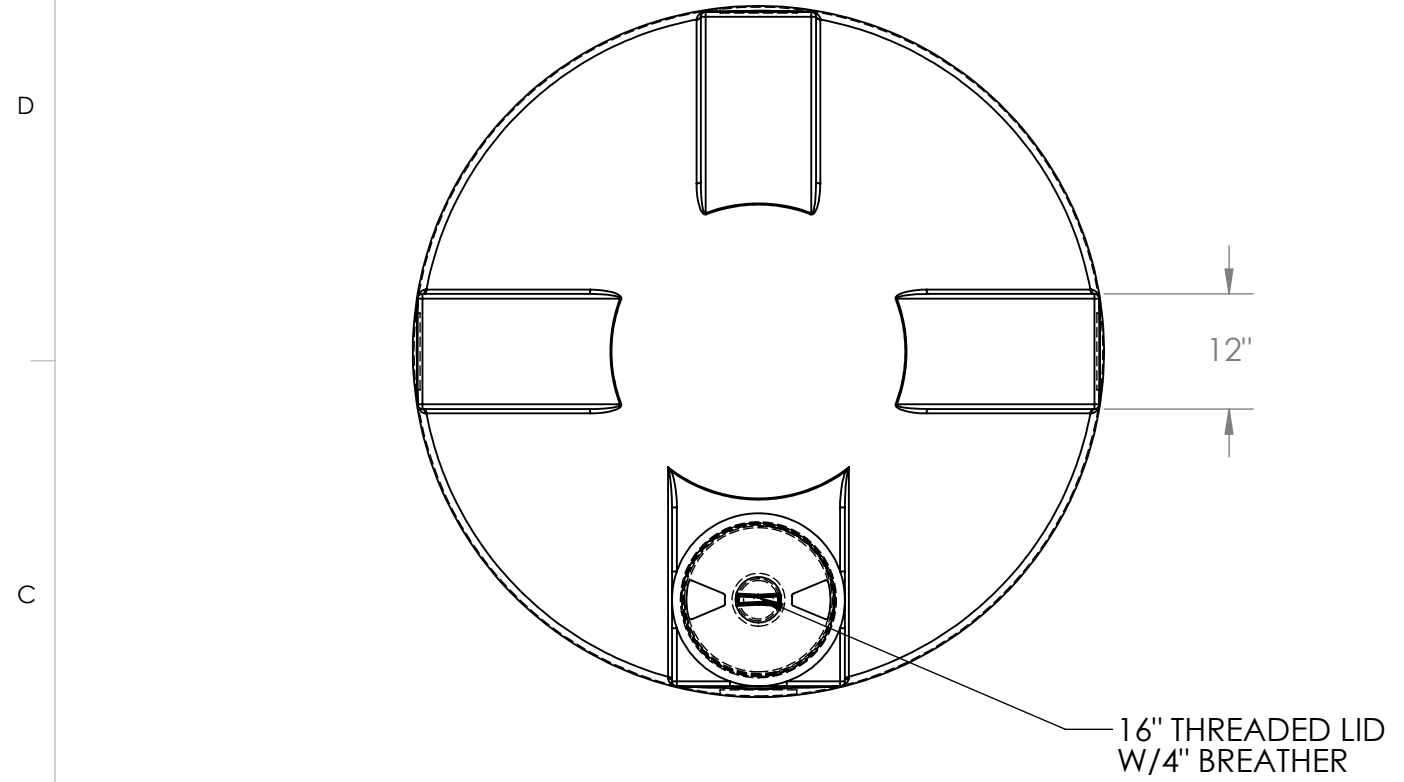


8 7 6 5 4 3 2 1

REVISIONS				
ZONE	REV.	DESCRIPTION	DATE	APPROVED
B-2	A	WEIGHT CHANGE	3-3-2010	EBW



NOTES:

- MATERIAL: POYETHYLENE
- WEIGHT: 105 LBS. STD. RATED 1.5 S.G.  
140 LBS. HD. RATED 2.0 S.G.

**PROPRIETARY AND CONFIDENTIAL**  
THE INFORMATION CONTAINED IN THIS DRAWING IS THE SOLE PROPERTY OF <INSERT COMPANY NAME HERE>. ANY REPRODUCTION IN PART OR AS A WHOLE WITHOUT THE WRITTEN PERMISSION OF <INSERT COMPANY NAME HERE> IS PROHIBITED.

UNLESS OTHERWISE SPECIFIED:		NAME	DATE	CUSTOM ROTO-MOLDING, INC.
DIMENSIONS ARE IN INCHES TOLERANCES: FRACTIONAL ± ANGULAR: MACH ± BEND ± TWO PLACE DECIMAL ± THREE PLACE DECIMAL ±		DRAWN	5-29-09	
INTERPRET GEOMETRIC TOLERANCING PER:		CHECKED		TITLE:
MATERIAL		ENG APPR.		<b>750 VERTICAL TANK - SHORT</b>
FINISH		MFG APPR.		SIZE <b>B</b> DWG. NO. 750 VTS REV <b>A</b>
NEXT ASSY	USED ON	Q.A.		SCALE: 1:50 WEIGHT: SHEET 1 OF 1
APPLICATION		COMMENTS:		
DO NOT SCALE DRAWING				

8 7 6 5 4 3 2 1