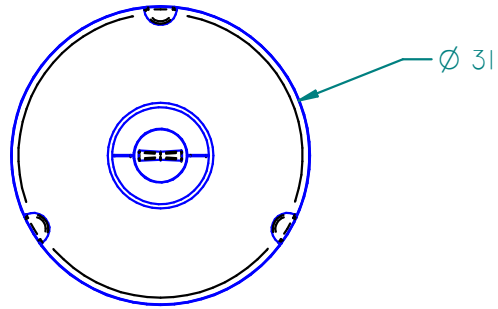
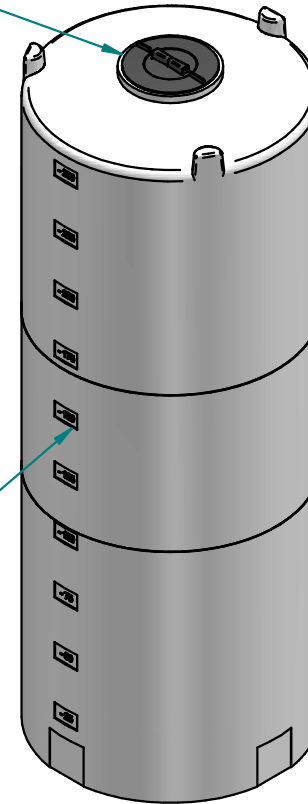


REVISION HISTORY			
REV	DESCRIPTION	DATE	APPROVED
10	UPDATED DRAWINGS ACCORDING TO CURRENT TANK	03/29/11	



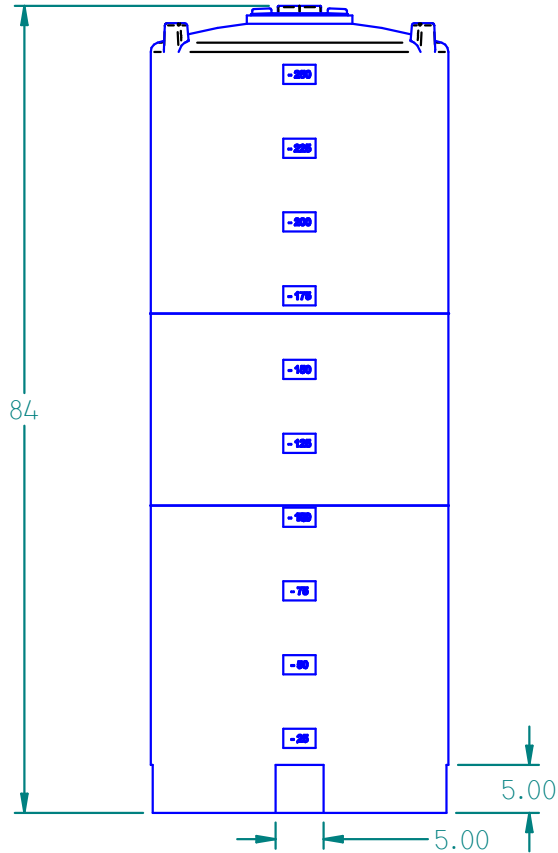
TOP VIEW

8 IN MANWAY




ISO VIEW

TANK IS CALIBRATED IN 25 GAL INCREMENTS



SIDE VIEW

WALL THICKNESS: 0.250"

		 16160 Hwy 27 Lake Wales, FL 33859		
NAME	DATE			
DRAWN	MNEGRON	01/18/05	TITLE	250 GAL VERTICAL TANK
CHECKED			SIZE	A
ENG APPR			MATERIAL:	LLDPE RESIN NATURAL
MGR APPR			REV	10
UNLESS OTHERWISE SPECIFIED DIMENSIONS ARE IN INCHES ANGLES ±0.5° 2 PL ±0.125" 3 PL ±0.060"			FILE NAME:	V-250 VERTICAL 02.DFT
PART#: 900250		WEIGHT: 73.843 LBM	SHEET 1 OF 1	