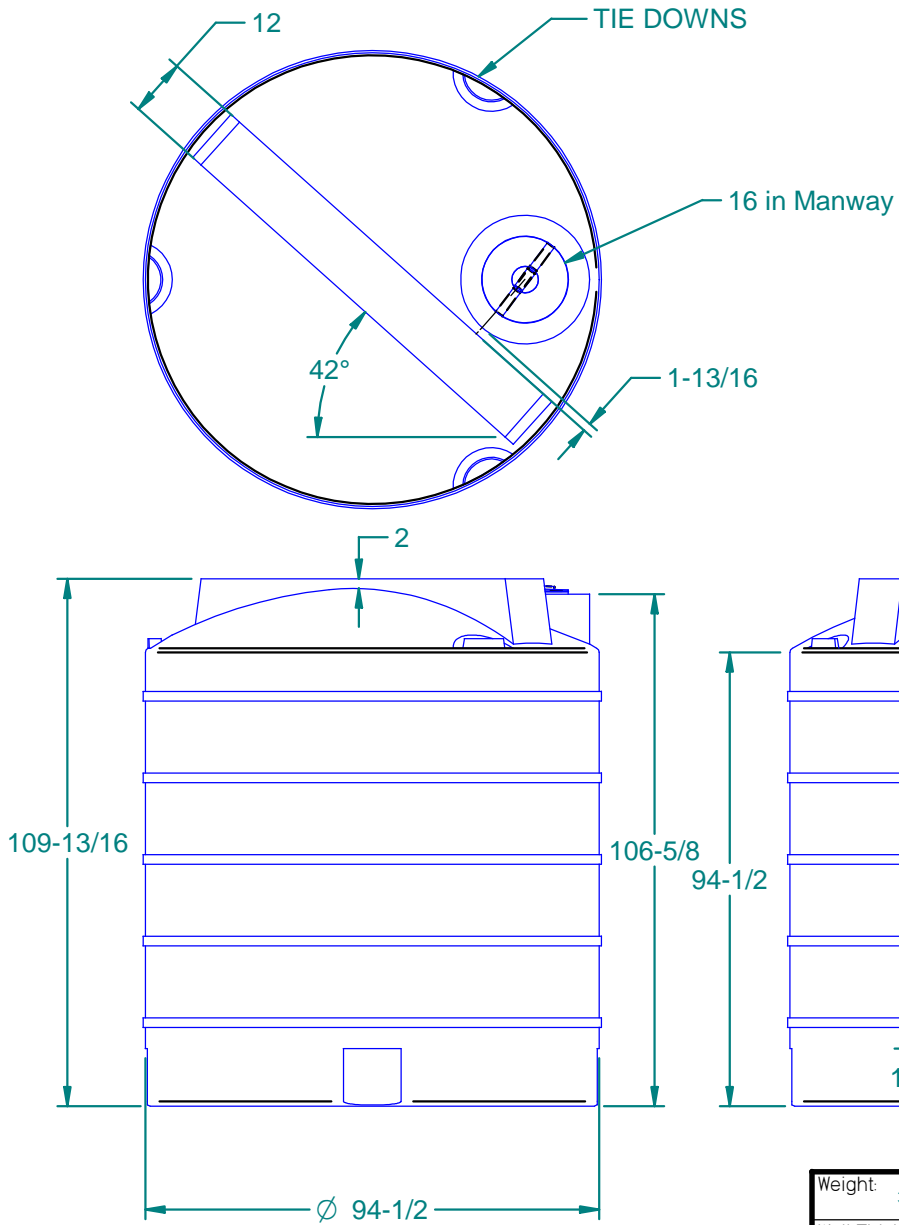
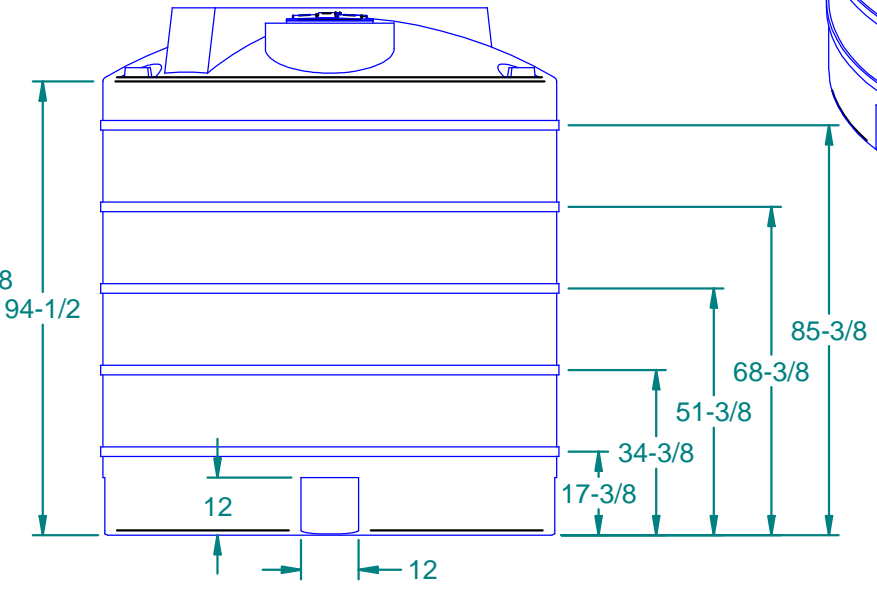
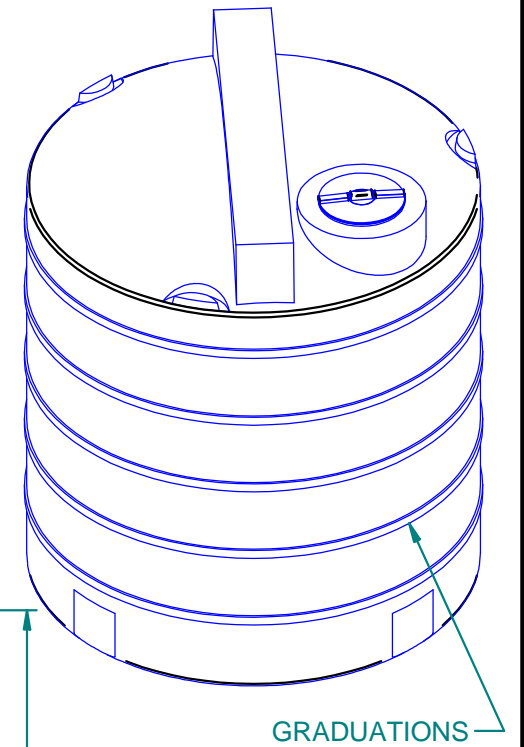



MAIN PRODUCT INFORMATION



REVISION HISTORY				
REV	DESCRIPTION	DATE	APPROVED	Revised By
C	Moved Ridge Close To Manway	06/22/09		



Weight: 366.864 lbm	NAME	DATE	 16160 Hwy 27 Lake Wales, FL. 33859	
Wall Thickness: 0.280 in	Drawn By: mnegron	7/2/2009		
Customer Part No: n/a	Customer APPR		Customer: Dura-Cast Products, Inc.	
Print Date: 7/2/2009	Copyright © 2007 Dura-Cast Products, Inc.		Part Title: V-3000 Gallon Tank	
Comments: - UNLESS OTHERWISE SPECIFIED DIMENSIONS ARE IN INCHES - Std Radii 3/16"	Tolerance: UNLESS OTHERWISE SPECIFIED TOLERANCES ARE ±1%		File Name: V-3000 Vertical (Flat Top).dft	
	Size: A	Material: Polyethylene, low density	Rev: C	
	Part No: 903000	Do Not Scale	Sheet: 1 OF 1	