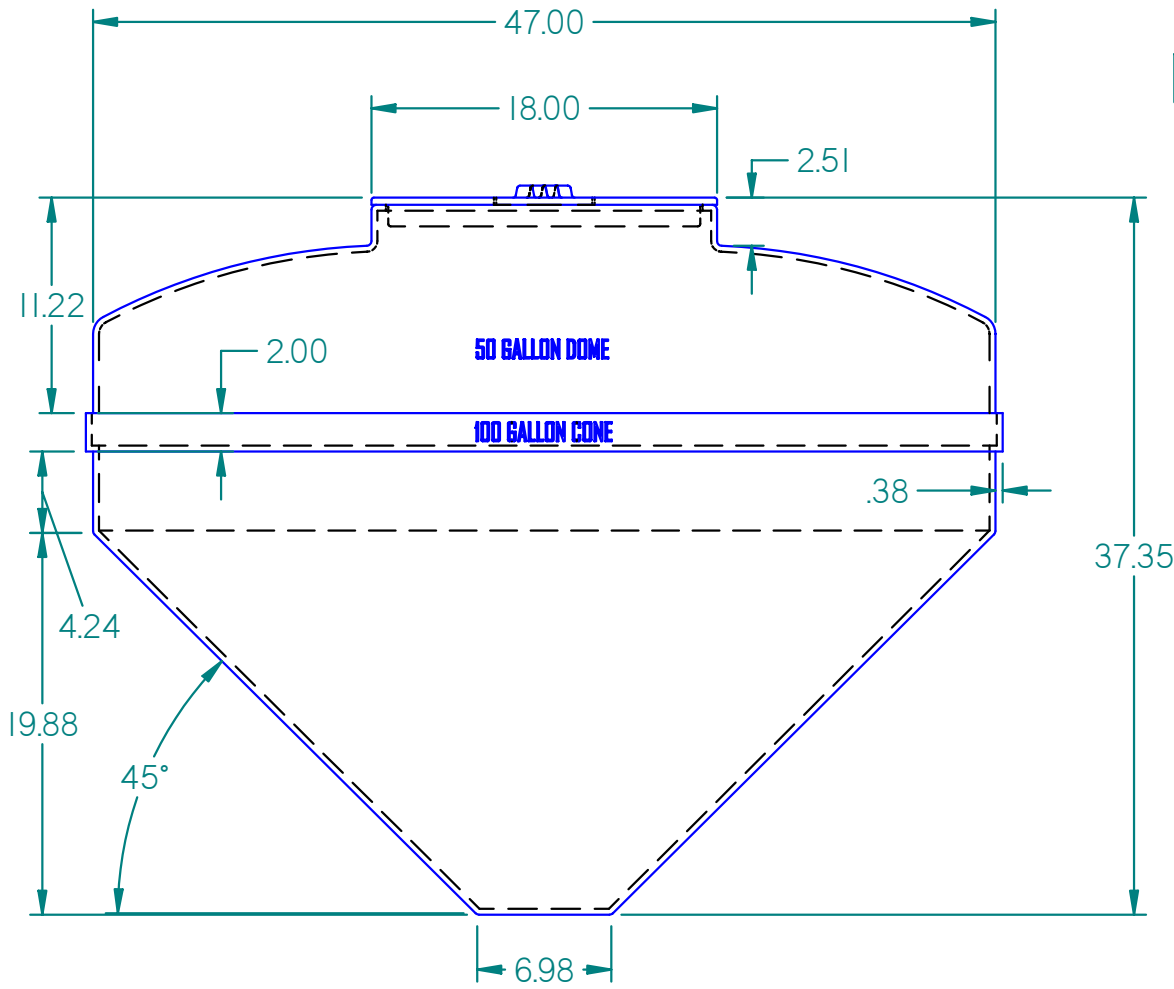
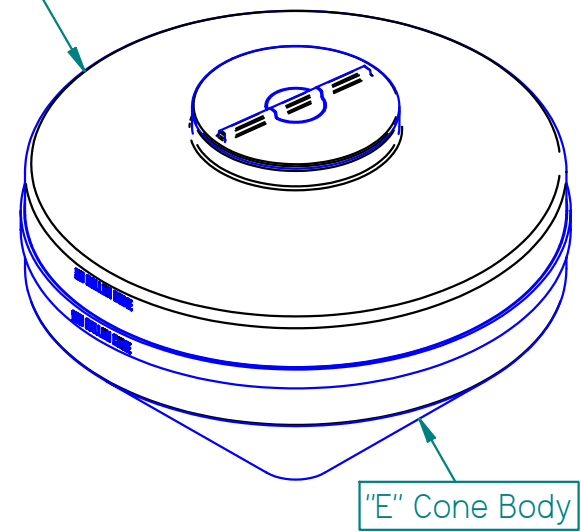


REVISION HISTORY

REV	DESCRIPTION	DATE	APPROVED
	APPROVED FOR PRODUCTION	10/1/2003	



"A" Tank Head



ISO View

Tank Mold Assembly Requires "A" Tank Head and "E" Tank Cone Sections.

	NAME	DATE
DRAWN	Michael	8/29/2003
CHECKED		
ENG APPR		
MGR APPR		

TITLE: 150 Gallon Cone Tank		
SIZE: A	MATERIAL: LMDPE Natural	REV
FILE NAME: 150ConeTankAssy.dft		
PART#930150HD	WEIGHT: 57.973 lbm	SHEET 1 OF 1

UNLESS OTHERWISE SPECIFIED
 DIMENSIONS ARE IN INCHES
 ANGLES ±0.5°
 2 PL ±0.125" 3 PL ±0.060"