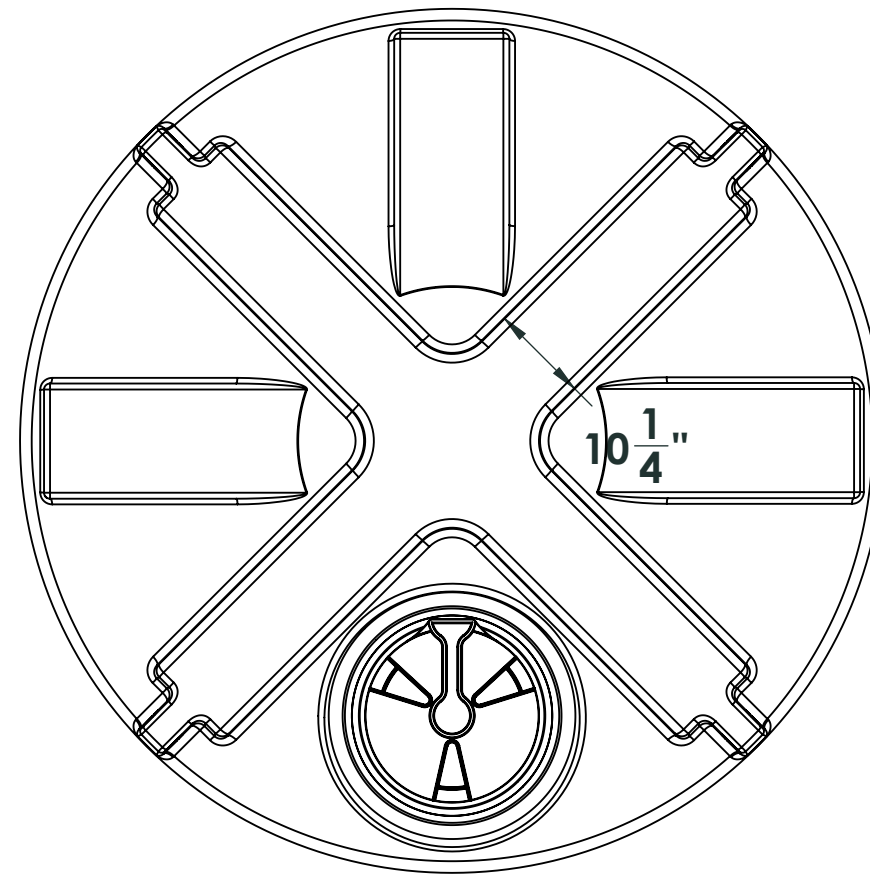


4

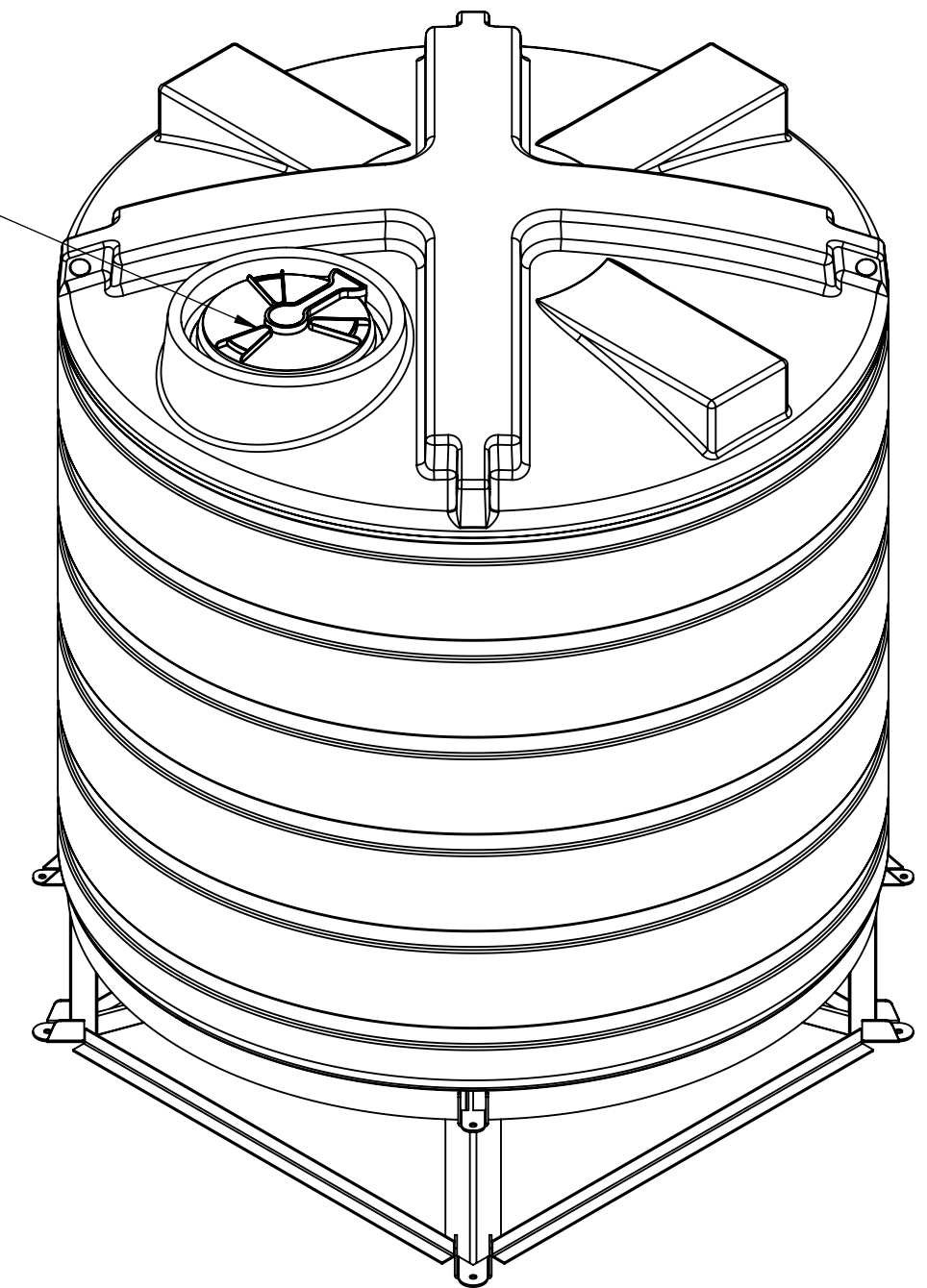
3

2

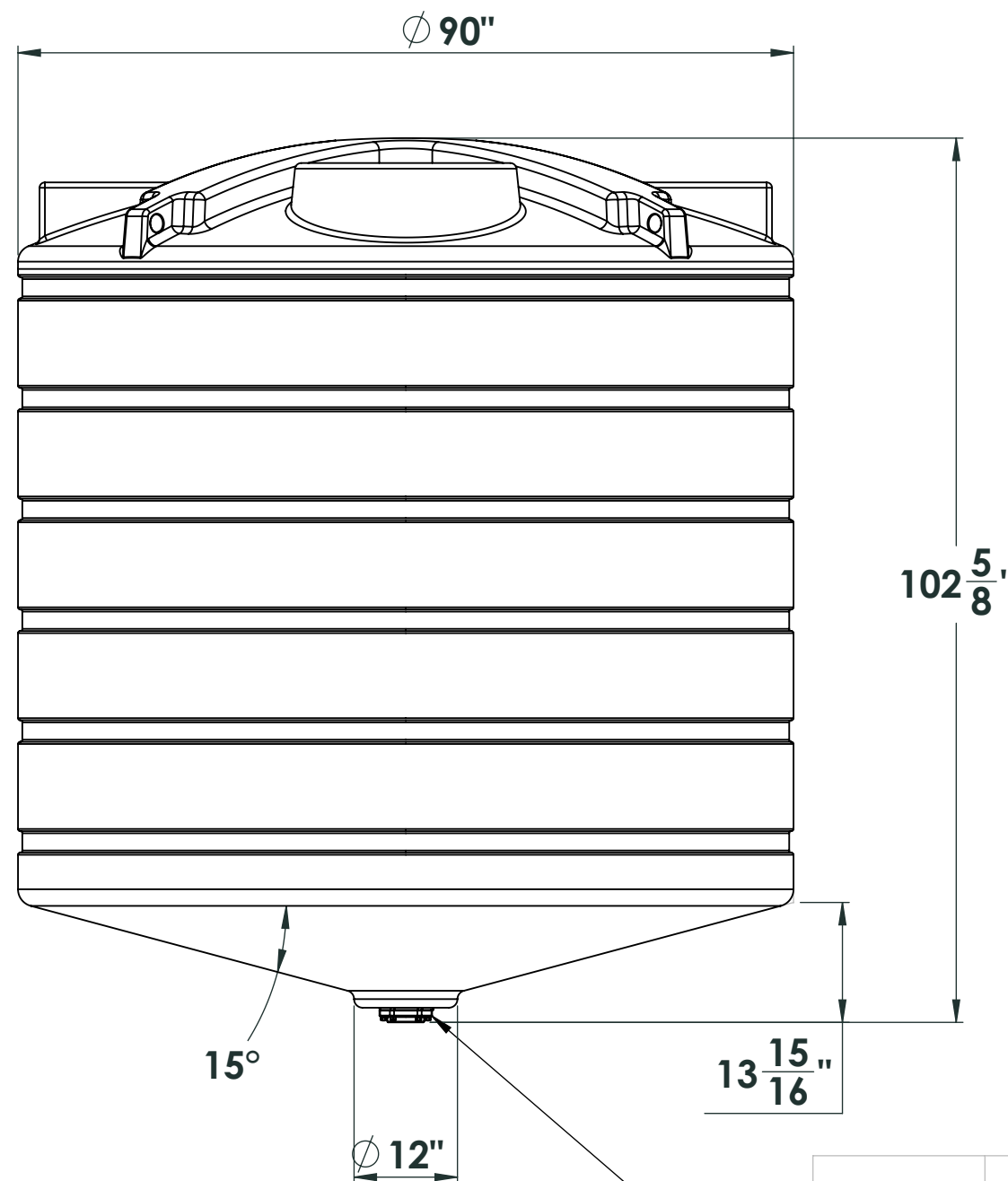
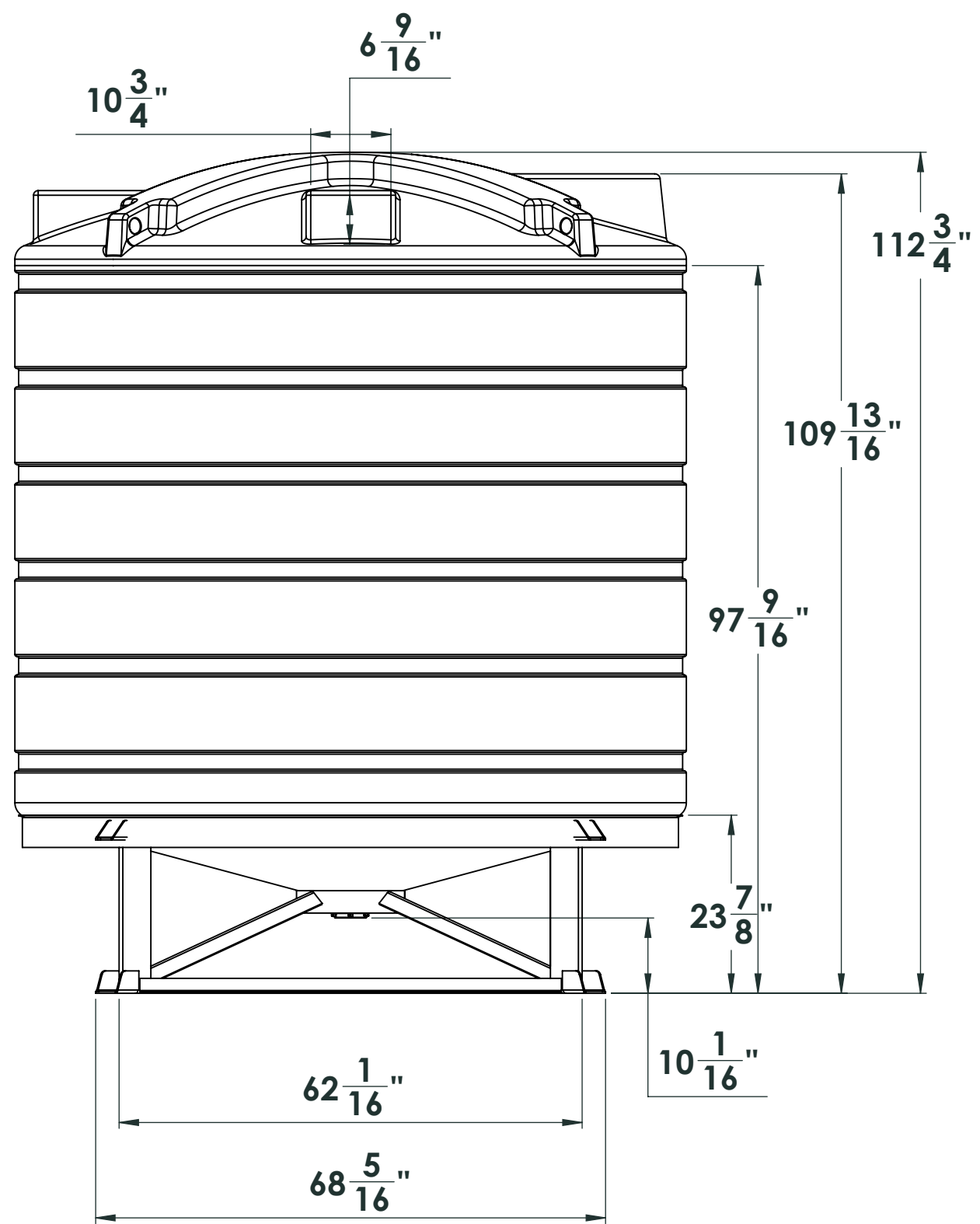
1



16 inch lid



Shown with AZFC01200 stand



3 inch bolted - bottom drain fitting

NOTE: Allow +/- 1.5% Shrinkage

PROPRIETARY AND CONFIDENTIAL
 THE INFORMATION CONTAINED IN THIS DRAWING IS THE SOLE PROPERTY OF ENDURAPLAS LLC. ANY REPRODUCTION IN PART OR AS A WHOLE WITHOUT THE WRITTEN PERMISSION OF ENDURAPLAS LLC IS PROHIBITED.

| | | | | |
|--------------------------------------|-------------|-----------|------|---------------------|
| UNLESS OTHERWISE SPECIFIED: | | NAME | DATE | ENDURAPLAS LLC |
| DIMENSIONS ARE IN INCHES | | DRAWN | DNS | |
| TOLERANCES: | | CHECKED | | TITLE: |
| FRACTIONAL ± | | ENG APPR. | | THC02000 |
| ANGULAR: MACH ± BEND ± | | MFG APPR. | | SIZE DWG. NO. |
| TWO PLACE DECIMAL ± | | Q.A. | | REV |
| THREE PLACE DECIMAL ± | | COMMENTS: | | 1 |
| INTERPRET GEOMETRIC TOLERANCING PER: | MATERIAL | | | SCALE: 1:50 WEIGHT: |
| FINISH | APPLICATION | | | SHEET 1 OF 1 |

4

3

2

1