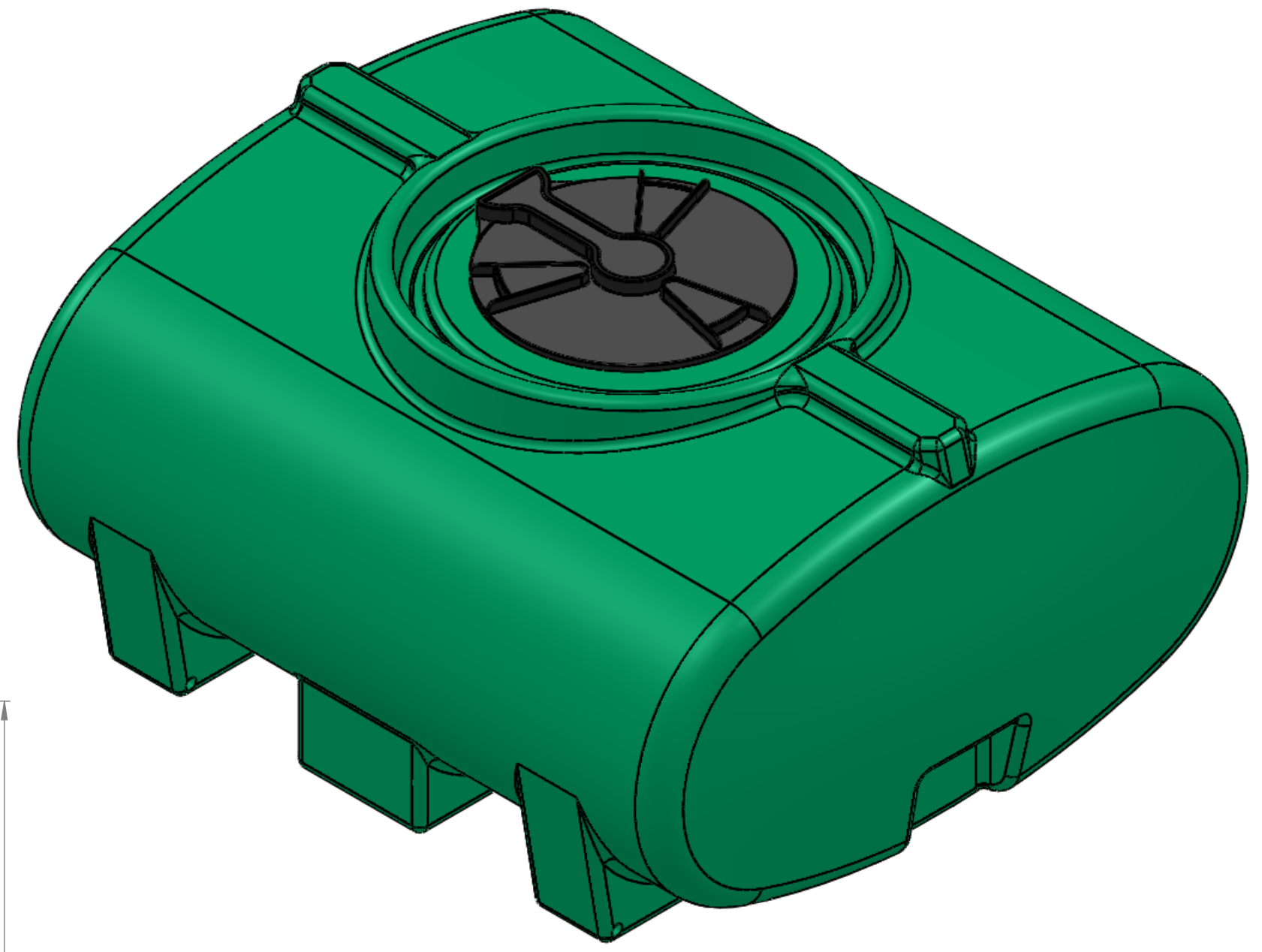
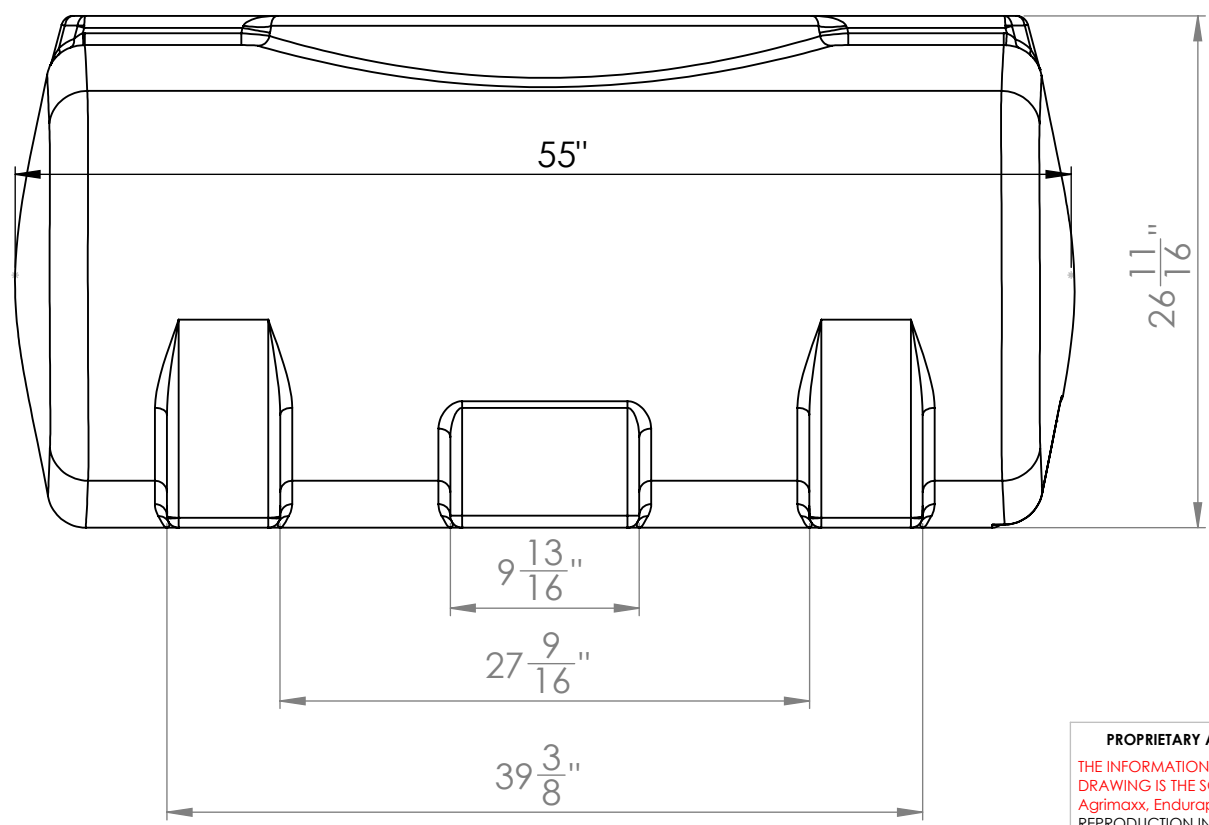
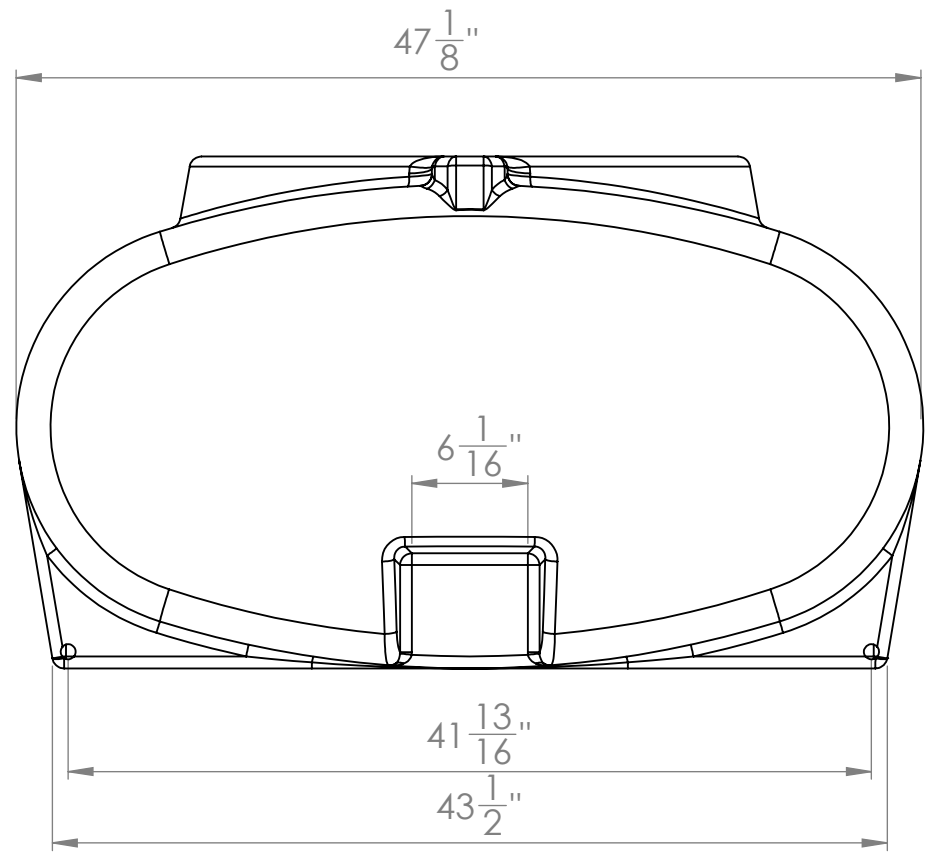


8 7 6 5 4 3 2 1

D  
C  
B  
A

D  
C  
B  
A



**PROPRIETARY AND CONFIDENTIAL**  
 THE INFORMATION CONTAINED IN THIS DRAWING IS THE SOLE PROPERTY OF Agrimaxx, Enduraplas. ANY REPRODUCTION IN PART OR AS A WHOLE WITHOUT THE WRITTEN PERMISSION OF Agrimaxx, Enduraplas, IS PROHIBITED.

|             |         |   |  |           |      |                   |                     |
|-------------|---------|---|--|-----------|------|-------------------|---------------------|
|             |         | UNLESS OTHERWISE SPECIFIED:   |  | NAME      | DATE | <b>Enduraplas</b> |                     |
|             |         | DIMENSIONS ARE IN INCHES<br>TOLERANCES:<br>FRACTIONAL ±<br>ANGULAR: MACH ± BEND ±<br>TWO PLACE DECIMAL ±<br>THREE PLACE DECIMAL ± |  | DRAWN     | DNS  |                   |                     |
|             |         | INTERPRET GEOMETRIC TOLERANCING PER:  |  | CHECKED   |      |                   | TITLE:              |
|             |         | MATERIAL  |  | ENG APPR. |      |                   | <b>THF00200</b>     |
|             |         | FINISH  |  | MFG APPR. |      |                   | SIZE                |
| NEXT ASSY   | USED ON |   |  | Q.A.      |      |                   | DWG. NO.            |
| APPLICATION |         | DO NOT SCALE DRAWING  |  | COMMENTS: |      |                   | REV                 |
|             |         |   |  |           |      |                   | <b>1</b>            |
|             |         |   |  |           |      |                   | SCALE: 1:20 WEIGHT: |
|             |         |   |  |           |      |                   | SHEET 1 OF 1        |

8 7 6 5 4 3 2 1