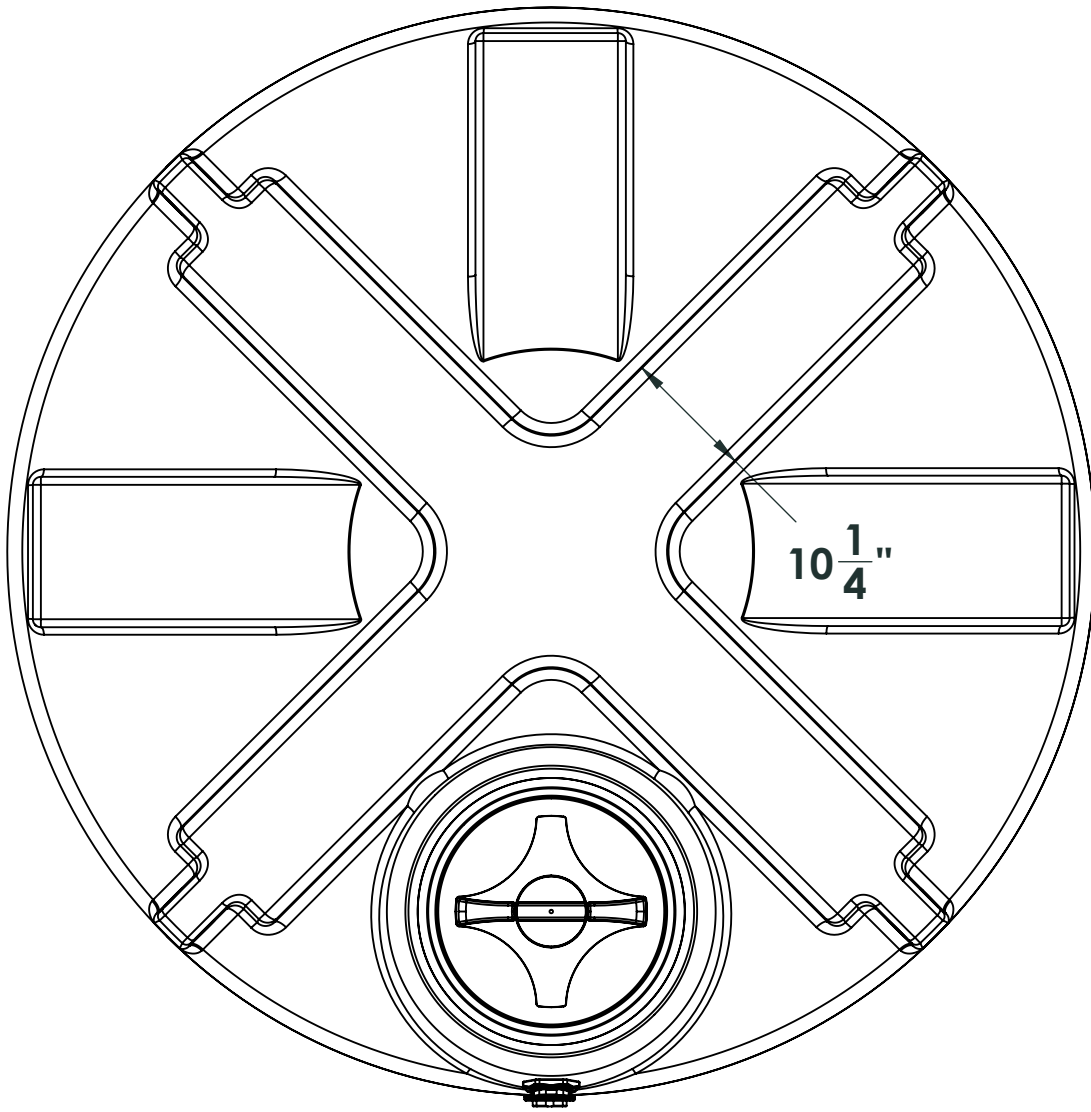


4

3

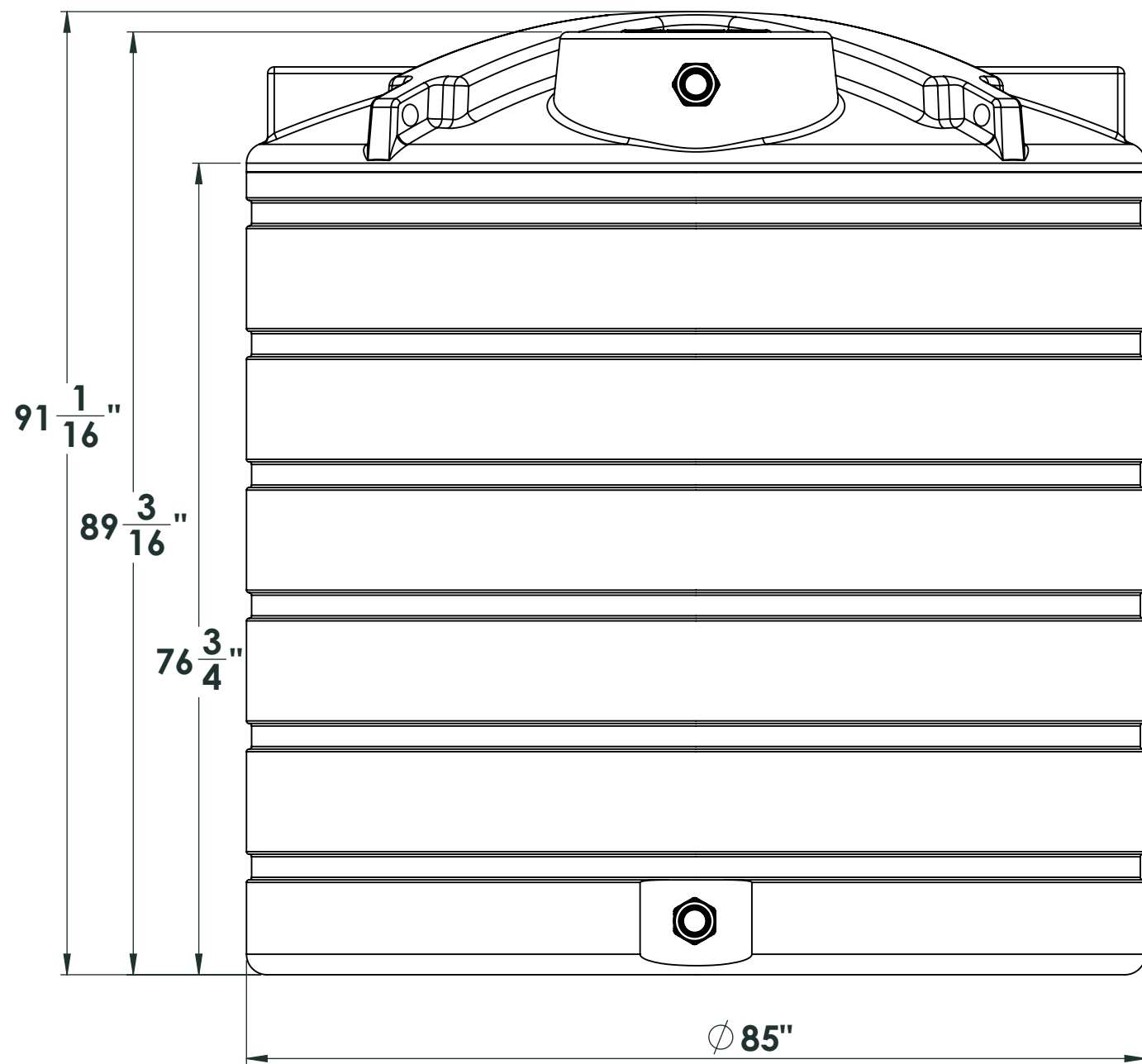
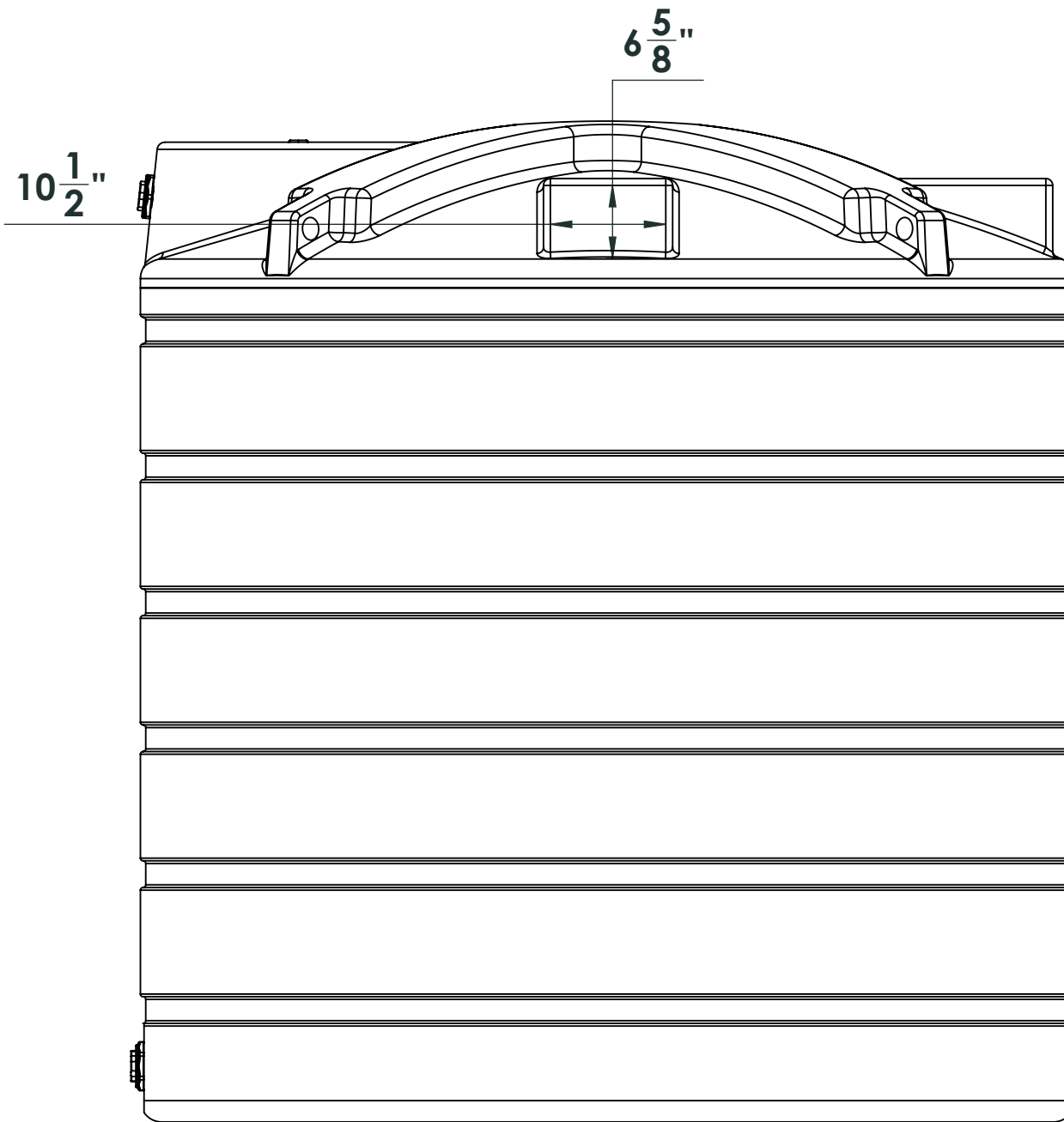
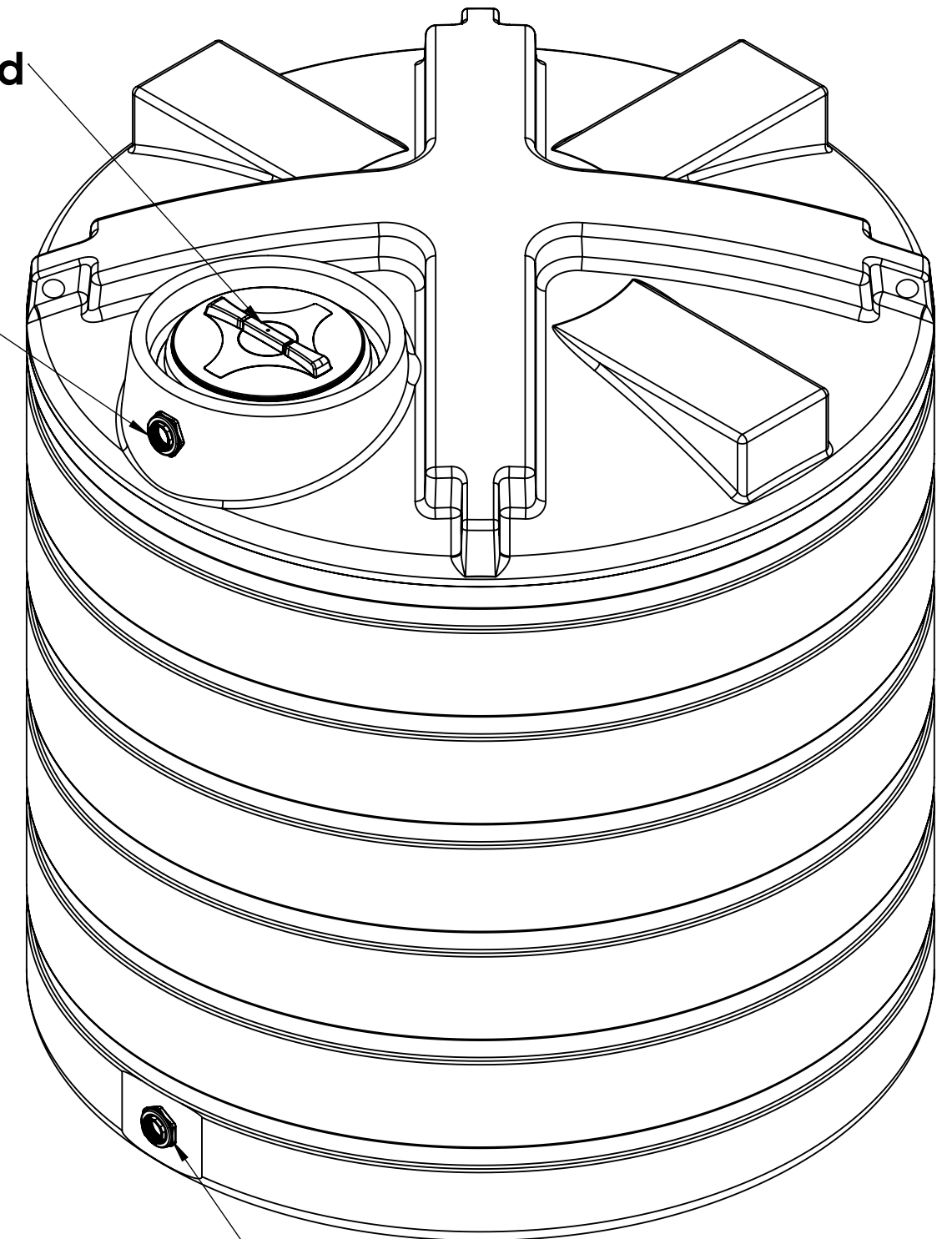
2

1



16 inch lid

2 inch threaded fitting



NOTE: Allow +/- 1.5% Shrinkage

PROPRIETARY AND CONFIDENTIAL
 THE INFORMATION CONTAINED IN THIS DRAWING IS THE SOLE PROPERTY OF ENDURAPLAS LLC. ANY REPRODUCTION IN PART OR AS A WHOLE WITHOUT THE WRITTEN PERMISSION OF ENDURAPLAS LLC IS PROHIBITED.

UNLESS OTHERWISE SPECIFIED:		NAME	DATE	ENDURAPLAS LLC
DIMENSIONS ARE IN INCHES		DRAWN	DNS	
TOLERANCES:		CHECKED		TITLE:
FRACTIONAL ±		ENG APPR.		TLV01750
ANGULAR: MACH ±		MFG APPR.		Q.A.
TWO PLACE DECIMAL ±		COMMENTS:		
THREE PLACE DECIMAL ±				SIZE DWG. NO. REV
INTERPRET GEOMETRIC TOLERANCING PER:				C 1
MATERIAL				SCALE: 1:50 WEIGHT: SHEET 1 OF 1
FINISH				
NEXT ASSY	USED ON			
APPLICATION				
DO NOT SCALE DRAWING				

4

3

2

1