

Madison

Model # 5847

Madison Rain Catcher



DESCRIPTION

Conserve with style! Beautifully detailed, collect rain from your downspout to water your flowers and save money on your water bill! Complete with a planter top to display beautiful flowers or plants.

- Includes: Bin, planter lid, 4ft garden hose and 3ft overflow hose
- Molded from 100% polyethylene with UV inhibitors
- Weather resistant, low maintenance material
- Warranty: 15-Yr Residential Use / 5-Yr Commercial Use

PRODUCT DIMENSIONS

Outside Dimensions: 19in L x 22.4in W x 35in H (48.3cm x 56.8cm x 88.9cm)

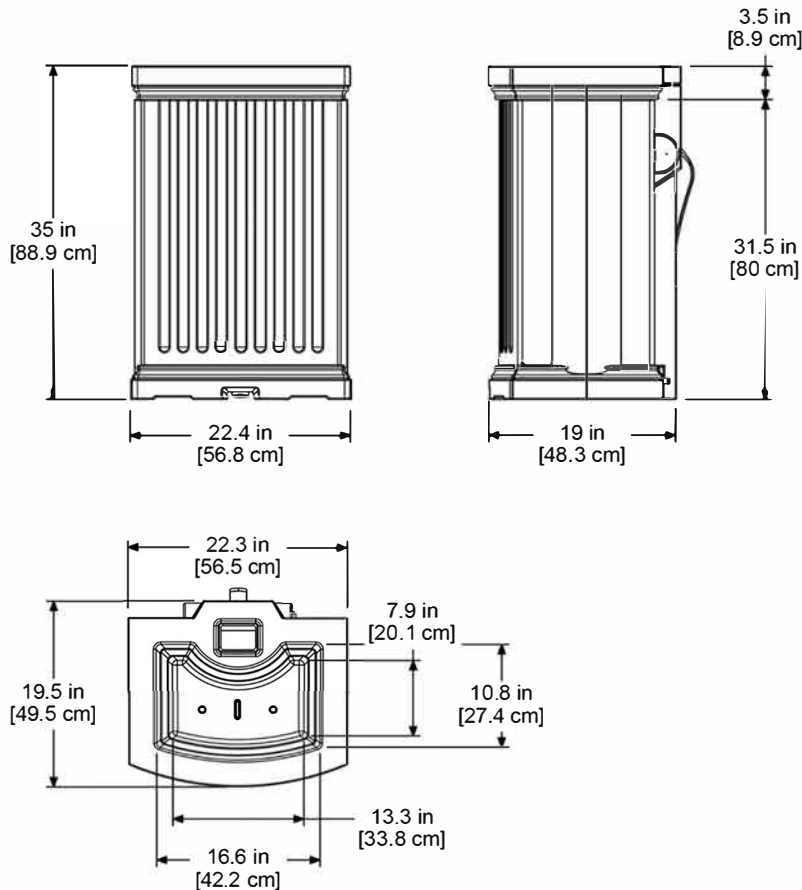
Capacity: 40 Gallons (151 Liters)

Wall Thickness: 0.125in (3.2mm)

Part Weight: 30lbs (13.6kg)

Material: Polyethylene

**Downspout connector not included*



MAYNE[®]
Outdoor Products of Distinction