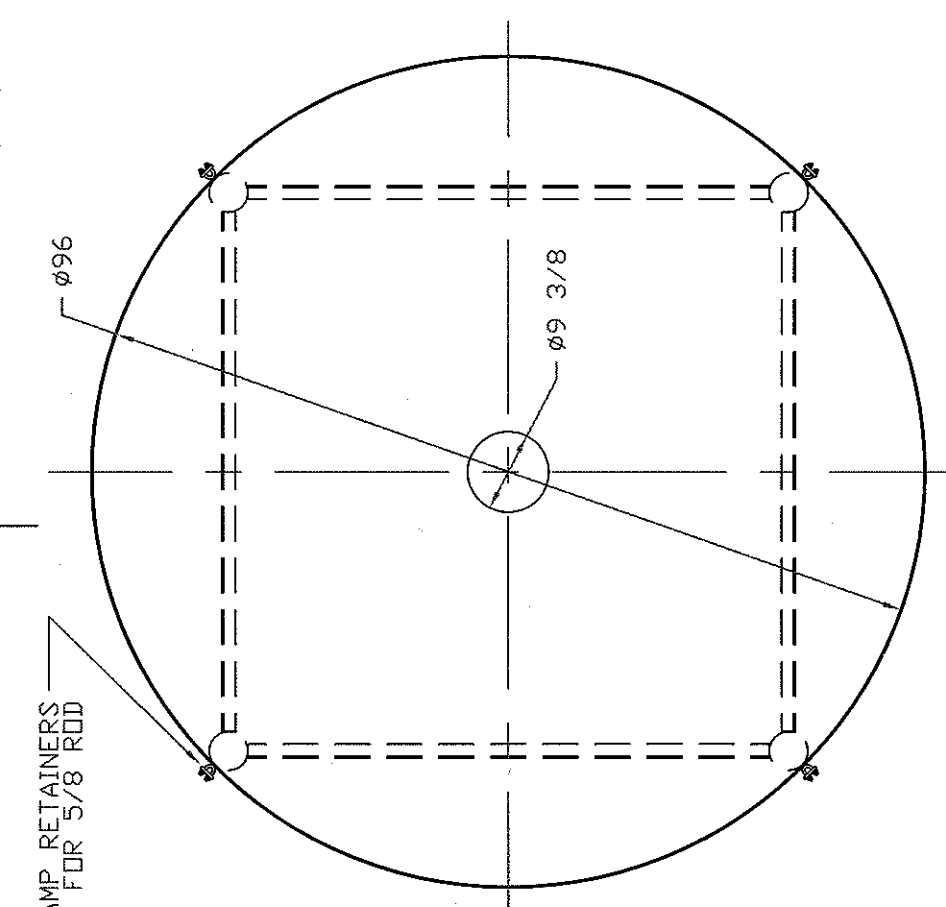
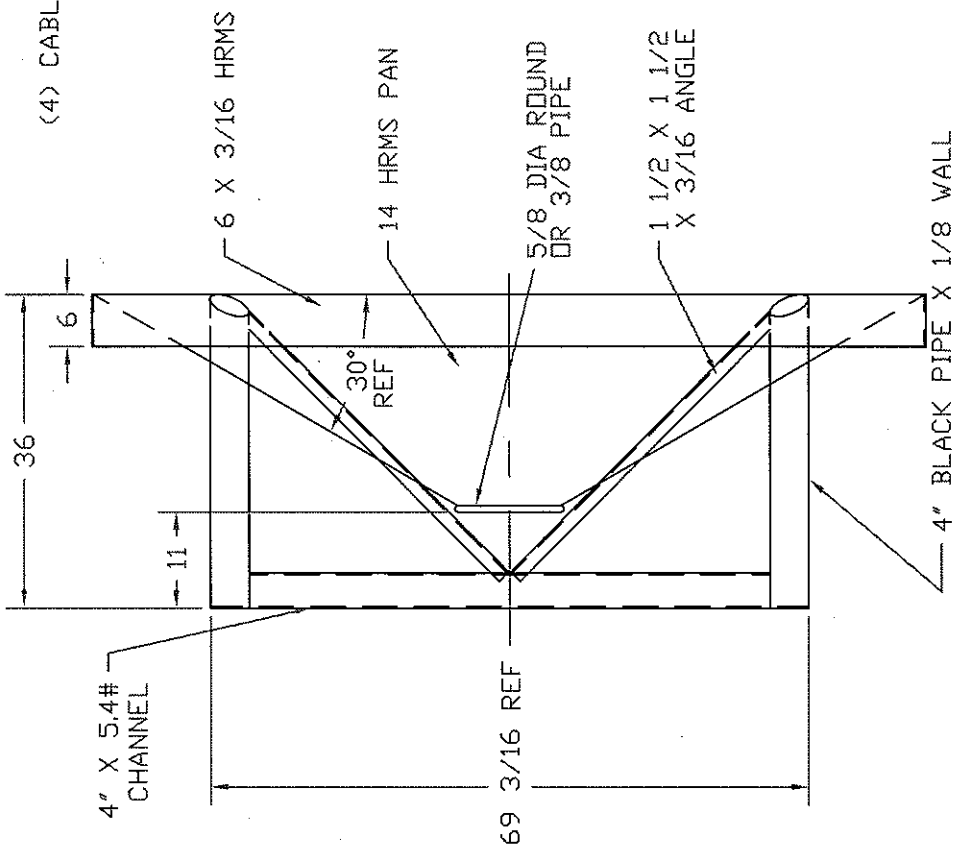


REVISIONS		
ZONE	REV	DESCRIPTION

DATE	APPROVED



(4) CABLE CLAMP RETAINERS FOR 5/8 ROD



NORWESCO
 ST. BONIFACIUS, MN
 STEEL STAND,
 2500, 3000 C/B TANKS

JTP	07MAR97		

SCALE 1/16

SHEET