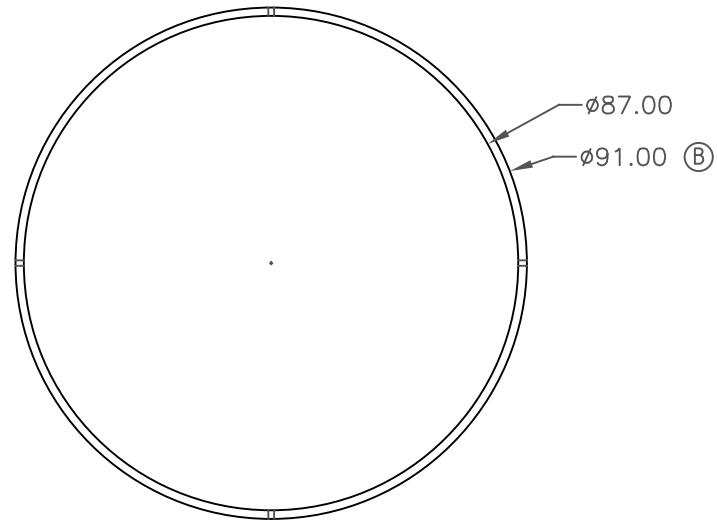


PROPRIETARY DATA

PROPERTY OF ACE ROTO-MOLD MFG., INC. INFORMATION FURNISHED HEREIN IS THE PROPERTY OF ACE ROTO-MOLD MFG., INC. AND SHALL NOT BE USED, DISCLOSED TO OTHERS, OR COPIED WITHOUT THE EXPRESSED WRITTEN CONSENT OF ACE ROTO-MOLD MFG., INC. ALL RIGHTS RESERVED.

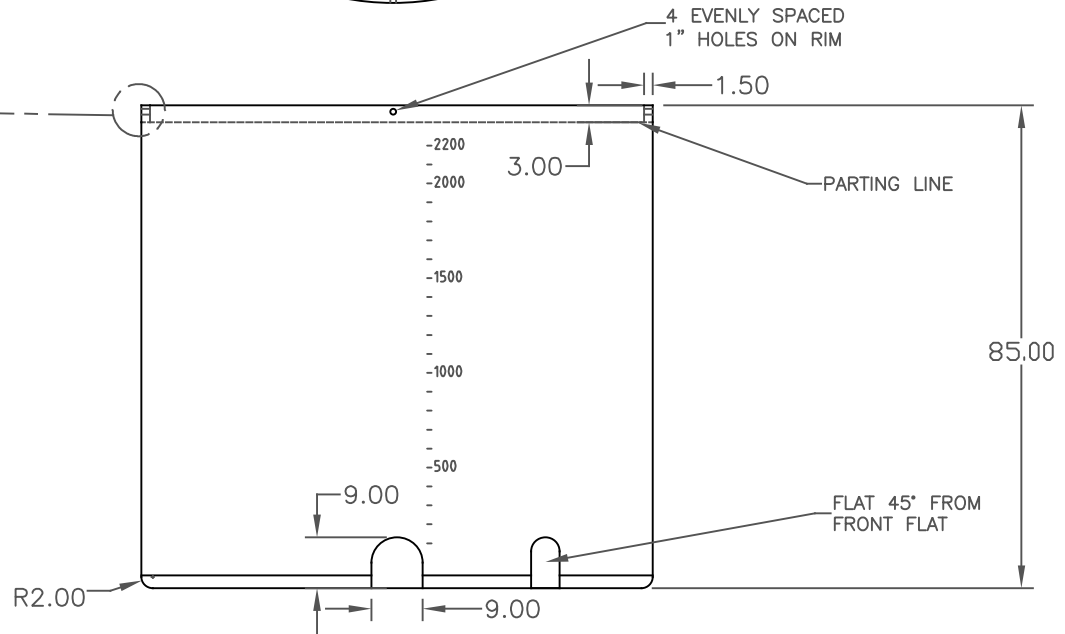
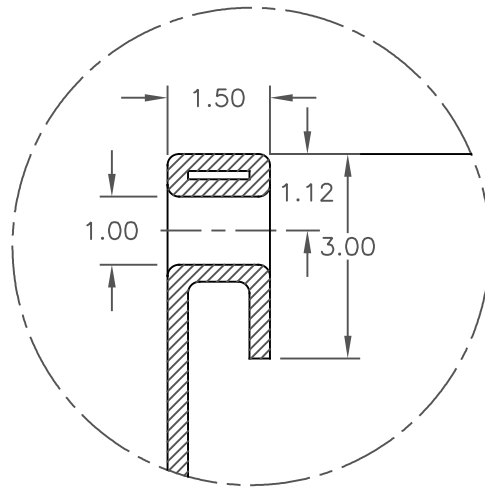
OP2200-90

B



DETAIL OF RIM

A



					DRAWN / DATE	MATERIAL	
B	WAS 90	5/11/17	DHJ	3385	NVE 6/13/05	PE OR EQUIVALENT REFERENCE MATERIAL DATA SHEET FOR SPECIFIC PROPERTIES.	
A	CLEARIFY THROUGH HOLE	4/8/08	DHJ	1643	APPRD. / DATE		
REV	DESCRIPTION	DATE	APPRD	CCN	DHJ 6/22/05		
ALL DIMENSIONS ARE IN DECIMAL INCHES TOLERANCES UNLESS OTHERWISE SPECIFIED \pm 1% @ 68° F					THIRD ANGLE PROJECTION ANSI 14.5M 		NOTES: 1. 0.410 THICK AT FLAT 2. WHITE OR COLOR 3. SHOT WEIGHT 365 LBS. 4. SHIP WEIGHT 365 LBS.

ACE ROTO-MOLD
 A DIVISION OF DEN HARTOG INDUSTRIES, INC.
 4010 HOSPERS DRIVE SOUTH, BOX 425, HOSPERS, IOWA 51238

CLIENT / DESCRIPTION		2200 GALLON OPEN TOP TANK	
SCALE	N.S.	PART NO.	OP2200-90