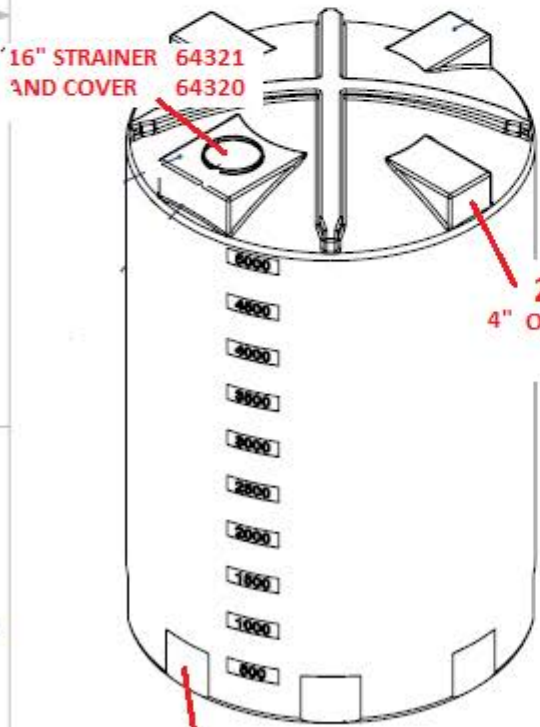
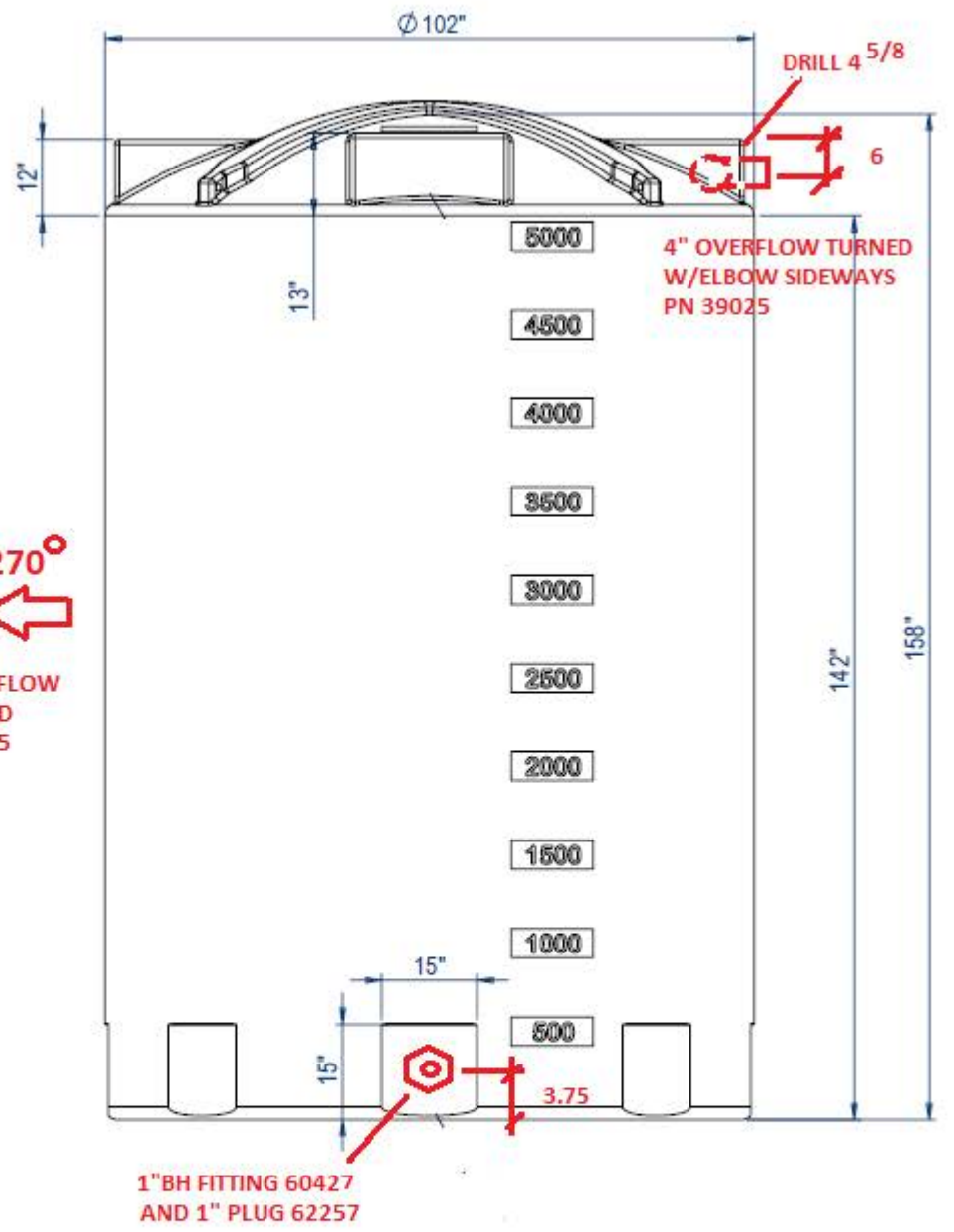
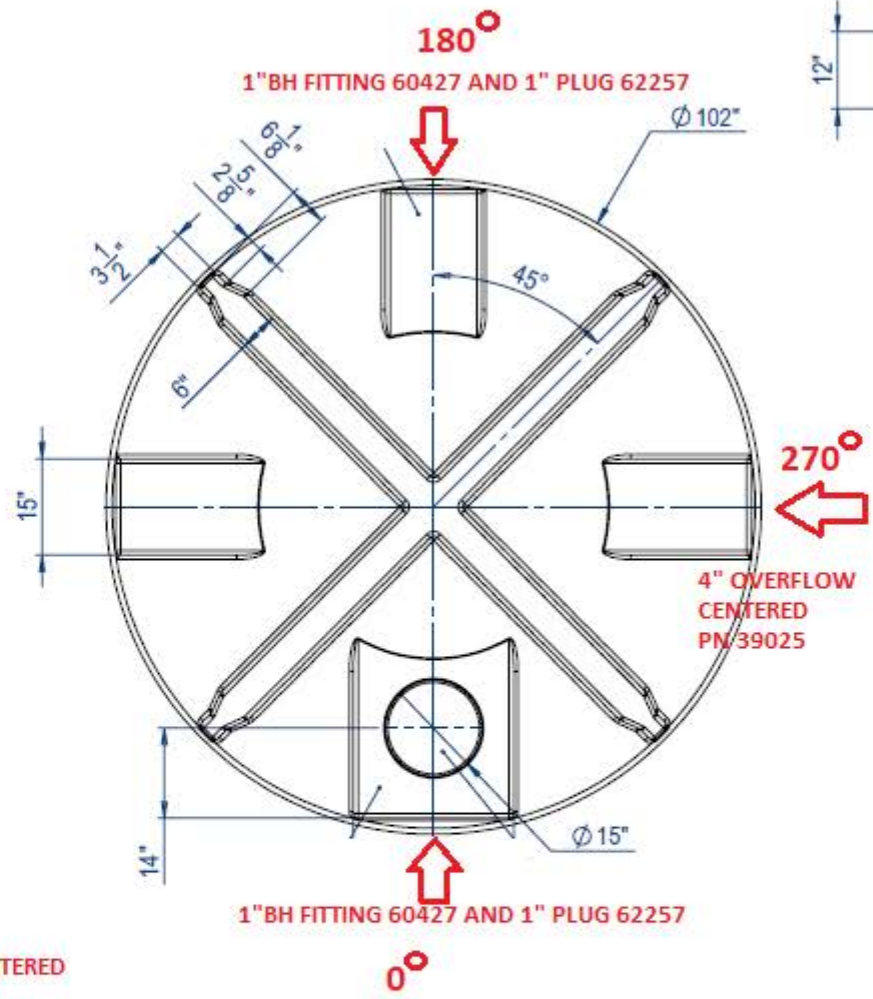


Lifting Tab Detail



270°  
4" OVERFLOW CENTERED  
PN 39025

1" BH FITTING 60427 AND 1" PLUG 62257

NOTES:

1. Bottom Layout Flat (8) - 15" x 15"
  2. Top Layout Flat (3) - 12" x 15"
  3. Dome Flat (1) - 13" x 25"
  4. 16" Manway Lid
  5. Flush Gallon Markers
- All dimensions are finished part dimensions.

Wall thickness 0.375 inches.

PROPRIETARY AND CONFIDENTIAL  
THE INFORMATION CONTAINED IN THIS DRAWING IS THE SOLE PROPERTY OF POLY-MART, INC. 15310 BRATTON LANE #210, AUSTIN TX 78728. ANY REPRODUCTION IN PART OR AS A WHOLE WITHOUT THE WRITTEN PERMISSION OF POLY-MART, INC. 15310 BRATTON LANE #210, AUSTIN TX 78728 IS PROHIBITED.

UNLESS OTHERWISE SPECIFIED:		NAME	DATE
DIMENSIONS ARE IN INCHES		GM	10/4/2018
TOLERANCES:			
FRACTIONAL ±			
ANGULAR: MACH ±			
BEND ±			
TWO PLACE DECIMAL ±			
THREE PLACE DECIMAL ±			
INTERPRET GEOMETRIC TOLERANCING PER:			
MATERIAL	HDPE	CAD DESIGN BY - CADWorksPro Chicago, IL	
FINISH		gilm@cadworkspro.com	
DO NOT SCALE DRAWING			

**NORWESCO**  
**POLY-MART**  
 5000 Gallon  
**Rain Harvest Water**

SIZE	Part Number	REV
<b>B</b>	5000 RHT	

SCALE: 1:25      SHEET 1 OF 1