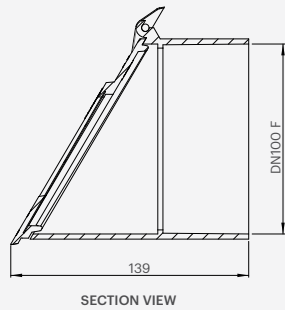
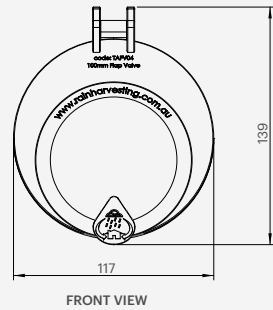
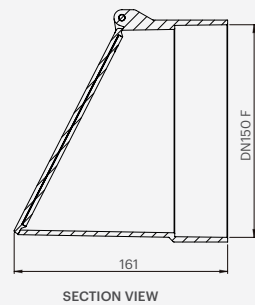
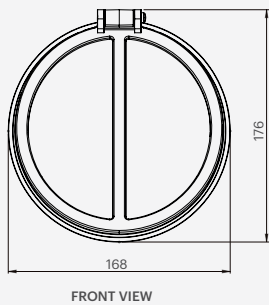


TAFV04 100MM



TAFV15 150MM



ALL DIMENSIONS
IN MM UNLESS
OTHERWISE STATED

Pipe Fitment

TAFV01	DN50 F (socket)	50mm pipe fits inside
TAFV02	DN90 M	Fits into 90mm socket
TAFV12	DN90 F (socket)	90mm pipe fits inside
TAFV03	DN100 F (socket)	100mm pipe fits inside
TAFV04	DN100 F (socket)	100mm pipe fits inside
TAFV15	DN150 F (socket)	150mm pipe fits inside

COMPLIANCE

- AS/NZS 4020:2005 – Testing of products for use in contact with drinking water

DISCLAIMER You acknowledge and agree that the information, data, advice, opinion, plan or other thing (Material) provided to you by Rain Harvesting Pty Ltd (ABN 11 113 300 093) (we, us, our) is provided "as is" without any representation, warranty, indemnity or guarantee as to the performance, accuracy, timeliness, completeness, merchantability or fitness of the Material for any particular purpose or application. The Material may contain errors, mistakes, inaccuracies and may not be complete. We expressly exclude any liability for such performance, accuracy, timeliness, completeness, merchantability or fitness of the Material for any particular purpose or application, to the maximum extent permissible by law.

Unless we expressly specify otherwise, we disclaim all responsibility and liability for any third party provided advice or provision of services, or failure to advise or provide services.

The disclaimers above are subject to the rights, warranties, guarantees and remedies relating to the provision of services that you have under, and that cannot be excluded, restricted or modified under, the Australian Consumer Law.

For more information, please see our Services Purchase Terms at www.bluemountainco.com.au

RAIN HARVESTING
by Blue Mountain Co

+61 (0)7 3248 9600

rainharvesting.com.au

RAIN HARVESTING
by Blue Mountain Co

Flap Valve



Installation and Specification Guide

PRODUCT DETAILS

Keep mosquitoes, frogs and pests out of your tank inlet and outlet pipes without restricting water flow.

- TAFV01 50mm - vented plastic
- TAFV02 90mm M - vented stainless steel
- TAFV12 90mm F - vented stainless steel
- TAFV03 100mm - plain plastic
- TAFV04 100mm - vented stainless steel
- TAFV15 150mm - vented stainless steel

FEATURES AND BENEFITS

- Keep mosquitoes, frogs and pests out of your tank inlet and outlet pipes and your Rain Harvesting system
- Self closing flap can open fully during high flow events so water flow is not impeded.
- Improve ventilation and oxygen circulation in your rainwater tank (vented models)
- Made from UV-stabilised UPVC for longevity

Installation

WHAT'S IN THE BOX?

- Flap Valve

TOOLS/MATERIALS YOU MAY REQUIRE

- Silicone (optional)
- Solvent weld glue (optional)

FOR A TANK OVERFLOW OUTLET OR TANK OVERFLOW OUTLET PIPE

1. Select an installation point for your Flap Valve. It can be attached directly to your tank overflow outlet, or to your horizontal tank overflow outlet pipe.
2. Orient your Flap Valve so the hinge is at the top, then secure directly to your chosen installation point with silicone or solvent weld glue.

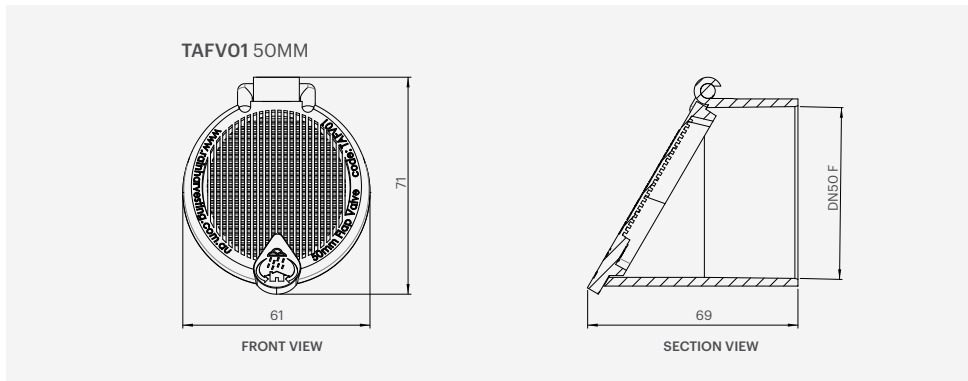
FOR A NON-PLUMBED TANK INLET PIPE

1. Orient your Flap Valve so the hinge is at the top, then secure directly to your non-plumbed tank inlet pipe with silicone or solvent weld glue.

MAINTENANCE

Your Flap Valve is self-closing and largely self-cleaning, so it requires little to no maintenance. If maintenance is required, simply hose or brush off the flap or mosquito-proof stainless steel vented screen.

PRODUCT DIMENSIONS



PRODUCT DIMENSIONS

