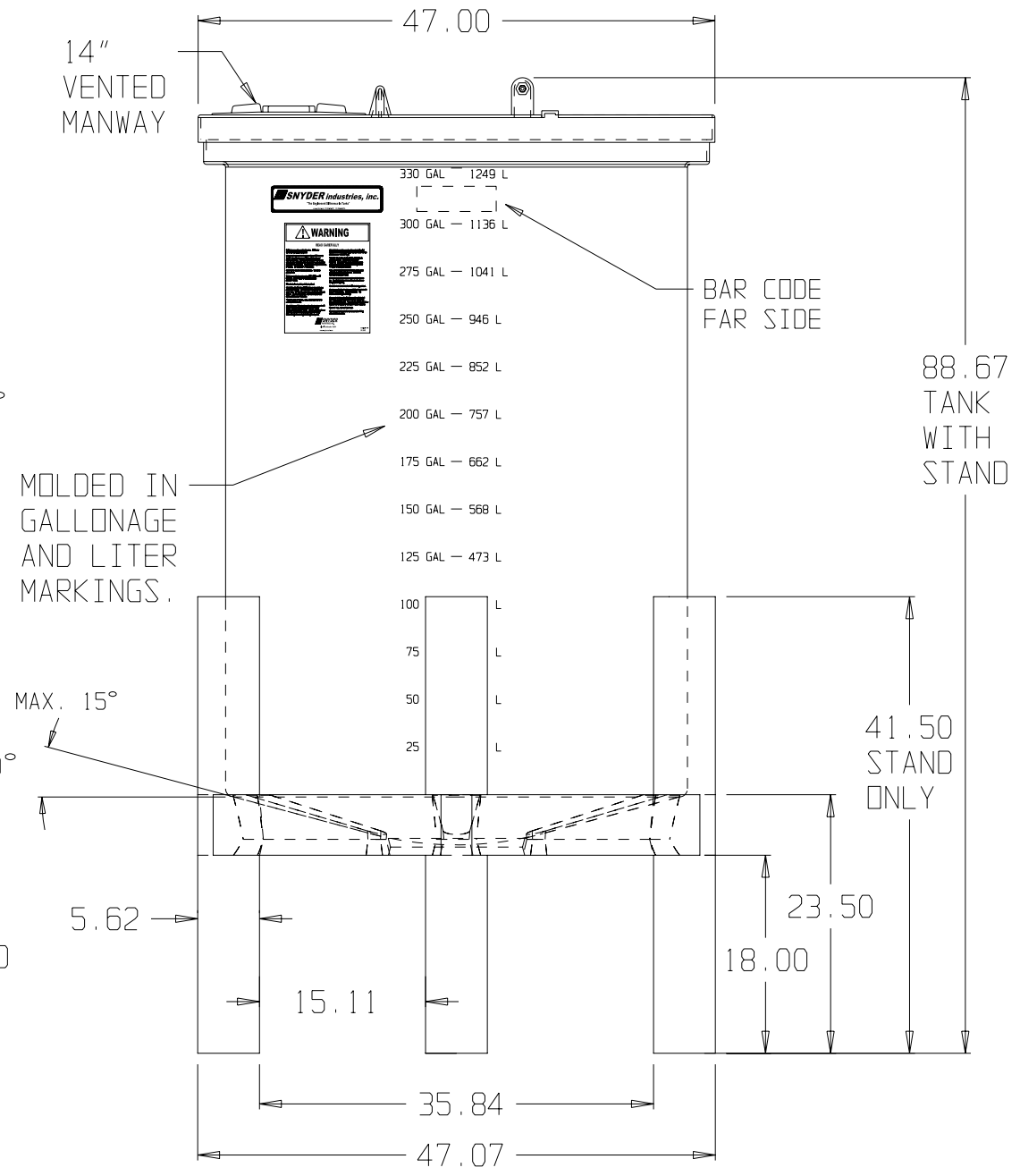


TOP VIEW



FRONT VIEW

* BASE FITTINGS TO BE LEFT INSTALLED AT TIME OF SHIPMENT PER SII PROCEDURE
 * Consult Snyder's Guidelines for Use and Installation prior to delivery.
 Available on-line at www.snydernet.com

PATENT #7,059,575
 (all dimensions in inches)

330 GALLON CLOSED TOP TOTAL DRAIN TANK W/42" x 18" STAND

PART #	TANK: 586000N--L
	STAND: 1750001N--L
REF#:	0000
	01/06/04