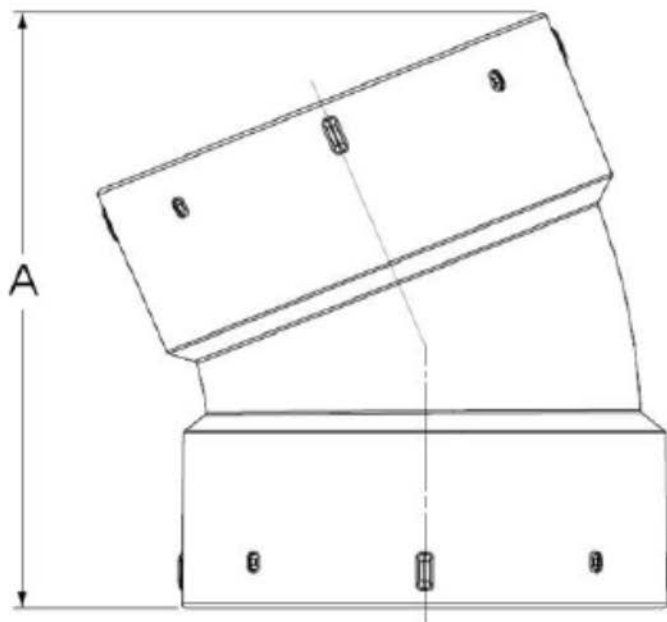




LAYING LENGTHS

1/16 BEND



INJECTION MOLDED FITTING

<u>Part #</u>	<u>Size</u>	<u>A</u>
<u>324-3416</u>	<u>1-1/2</u>	<u>2.89</u>
<u>324-3417</u>	<u>2</u>	<u>3.41</u>
<u>324-3418</u>	<u>3</u>	<u>5.41</u>
<u>324-3419</u>	<u>4</u>	<u>6.39</u>