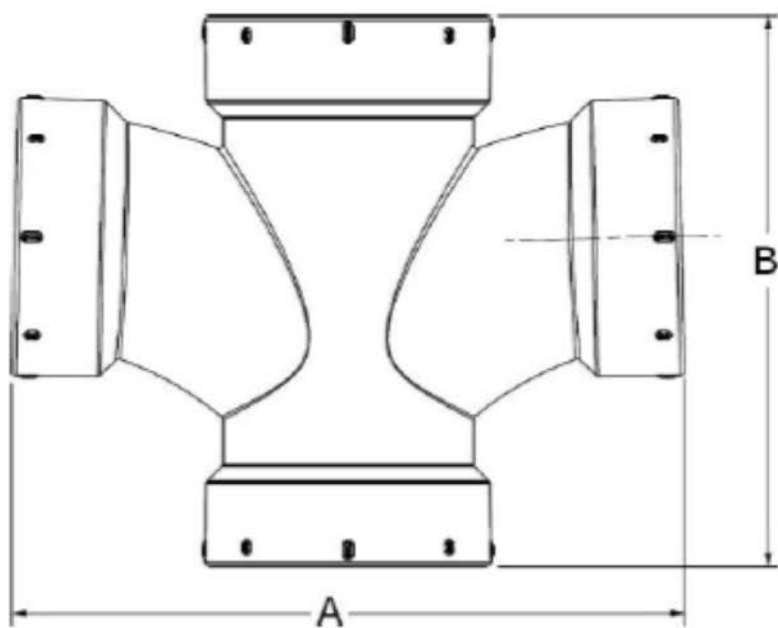


DOUBLE SANITARY TEE**INJECTION MOLDED FITTING**

<u>Part #</u>	<u>Size</u>	<u>A</u>	<u>B</u>
428-3510	2	6.34	5.37
428-3511	3	8.94	7.81
428-3514	3 x 1 1/2	7.28	6.49
428-3516	3 x 2	11.75	9.31