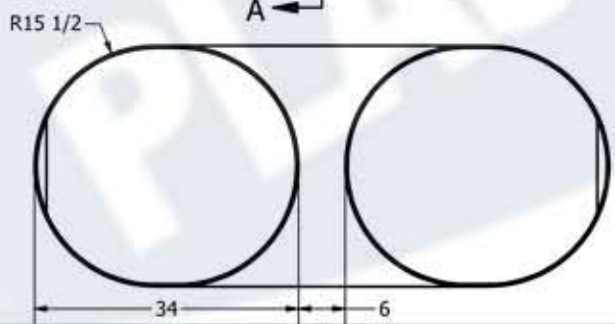
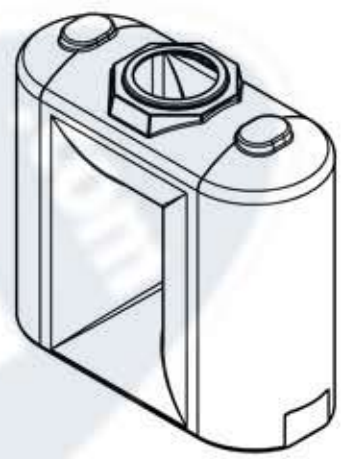



SECTION A-A
SCALE 1/16



SECTION B-B
SCALE 1/16

DRAWN Jerry Paulson	7/16/2010		866-310-2556	
CHECKED			TITLE	
QA		500 GALLON FREE STANDING WATER TANK		
MFG		SIZE B	DWG NO	REV
APPROVED		SCALE: 1/16	SHEET 1 OF 1	