

D

C

B

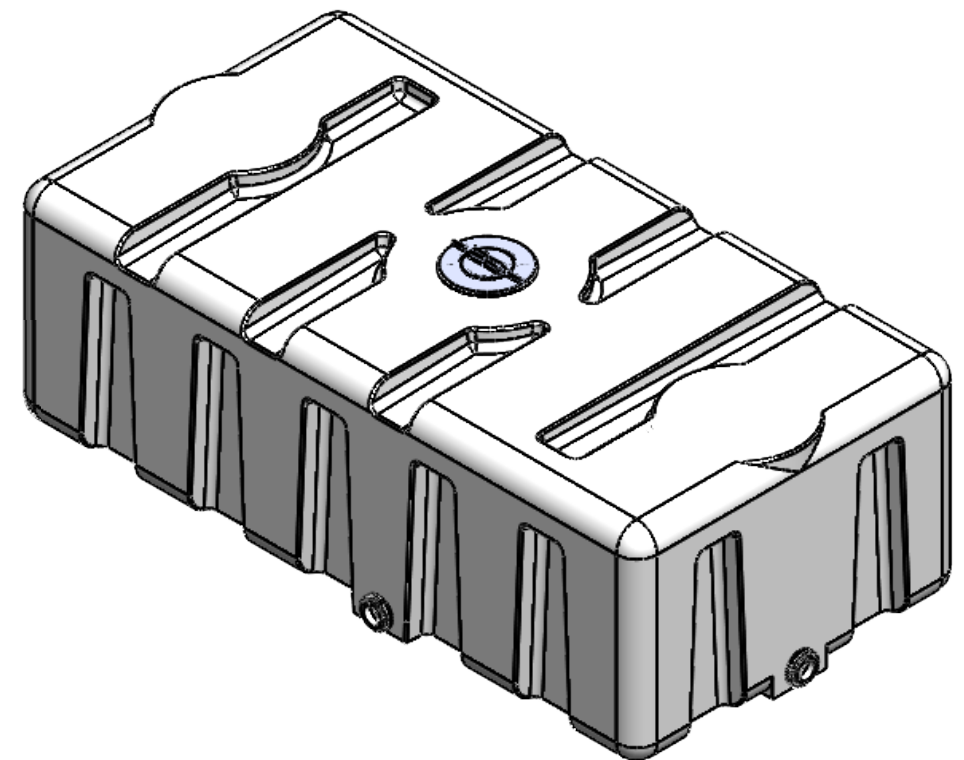
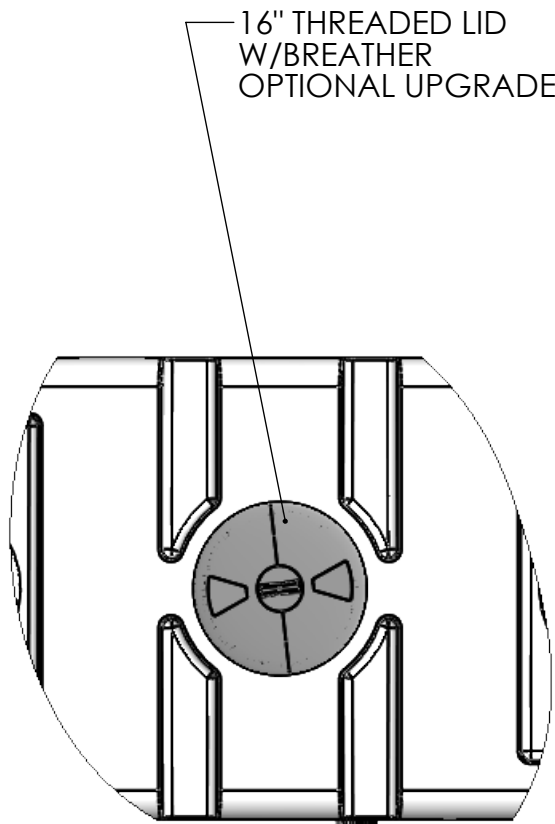
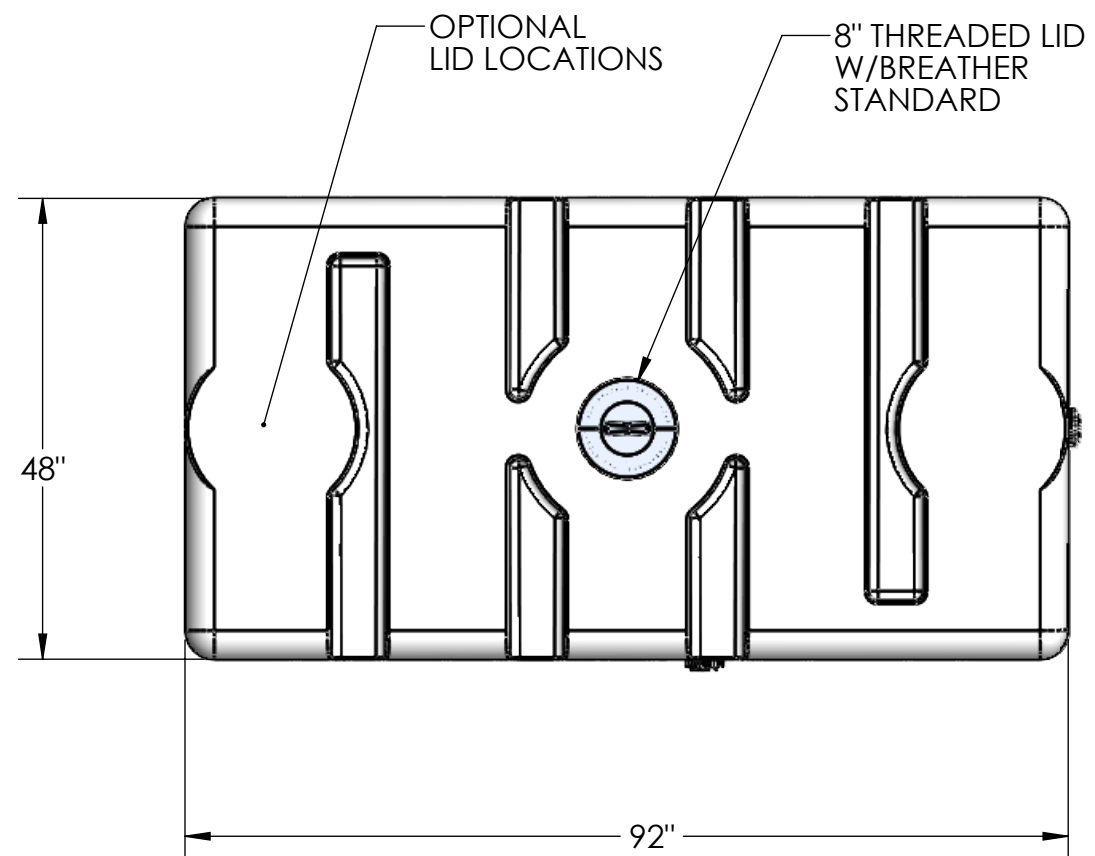
A

D

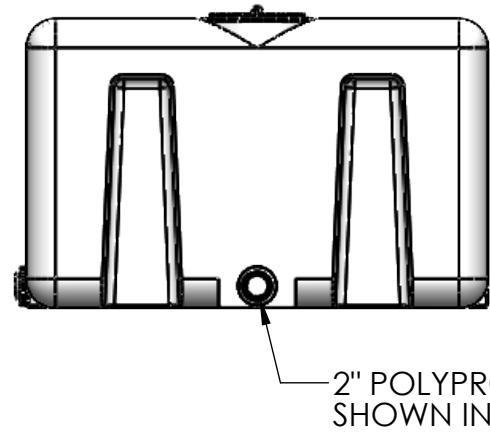
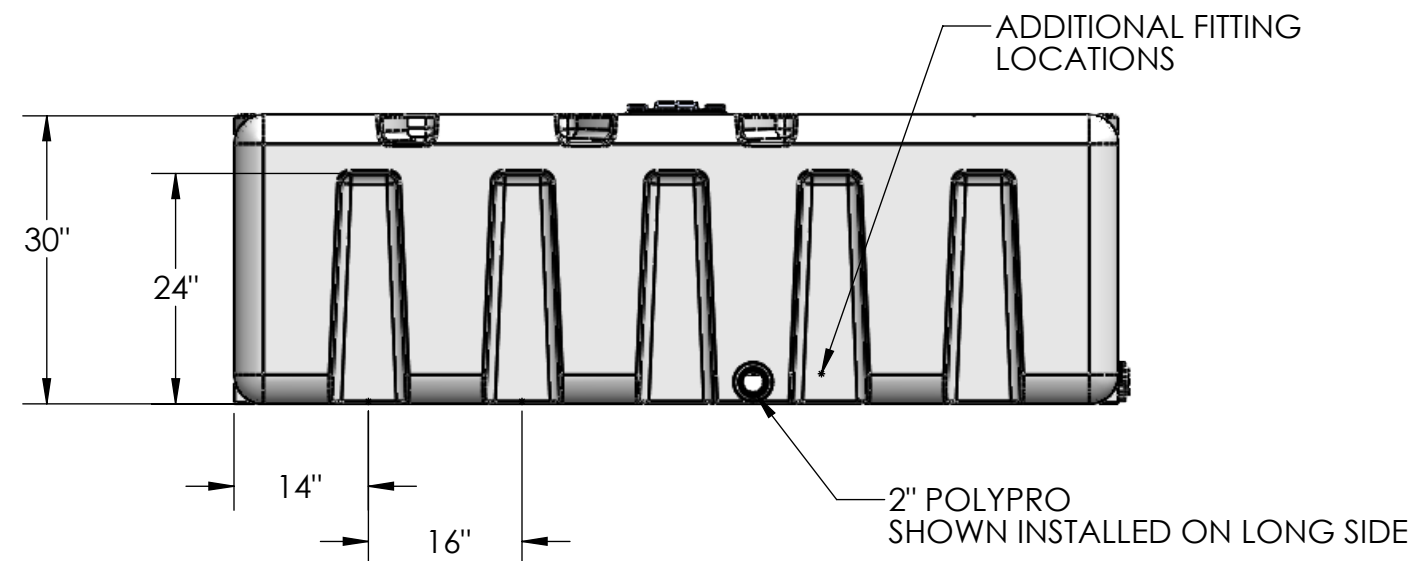
C

B

A



- NOTES:
1. MATERIAL: HDPE
  2. CAPACITY: 500 GALLONS
  3. WEIGHT: 195 LBS
  4. SPECIFY SHORT OR LONG SIDE FOR FITTING PLACEMENT



**PROPRIETARY AND CONFIDENTIAL**  
 THE INFORMATION CONTAINED IN THIS DRAWING IS THE SOLE PROPERTY OF <INSERT COMPANY NAME HERE>. ANY REPRODUCTION IN PART OR AS A WHOLE WITHOUT THE WRITTEN PERMISSION OF <INSERT COMPANY NAME HERE> IS PROHIBITED.

		UNLESS OTHERWISE SPECIFIED:		NAME	DATE	
		DIMENSIONS ARE IN INCHES TOLERANCES: FRACTIONAL ± ANGULAR: MACH ± BEND ± TWO PLACE DECIMAL ± THREE PLACE DECIMAL ±		DRAWN	EBW	
		INTERPRET GEOMETRIC TOLERANCING PER:		CHECKED		TITLE: <b>500 GALLON RECTANGULAR TANK</b>
		MATERIAL		ENG APPR.		
		FINISH		MFG APPR.		SIZE DWG. NO. REV <b>B 500 RT-1</b>
NEXT ASSY	USED ON	APPLICATION		COMMENTS:		SCALE: 1:16 WEIGHT: SHEET 1 OF 1
		DO NOT SCALE DRAWING				