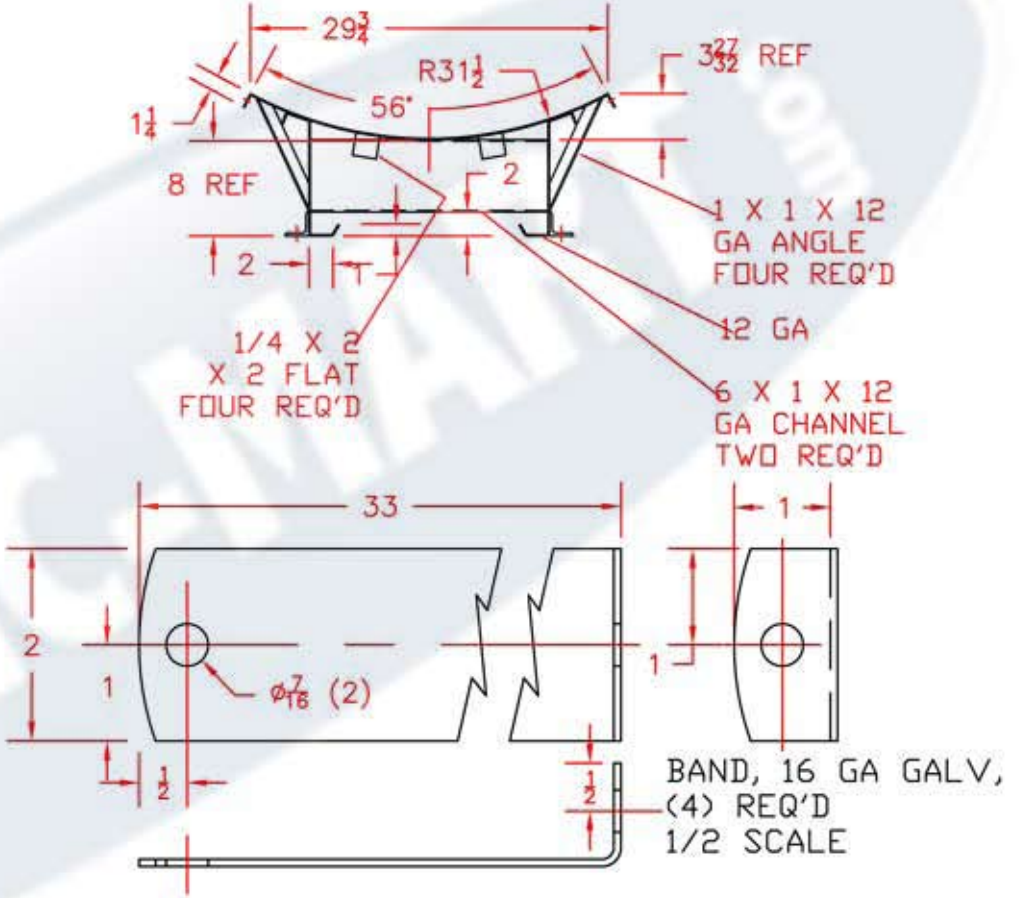
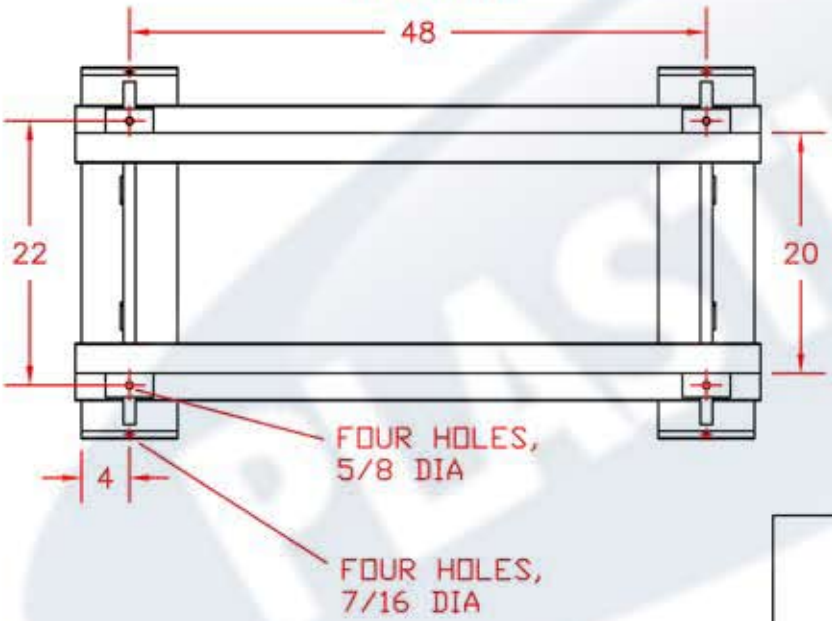
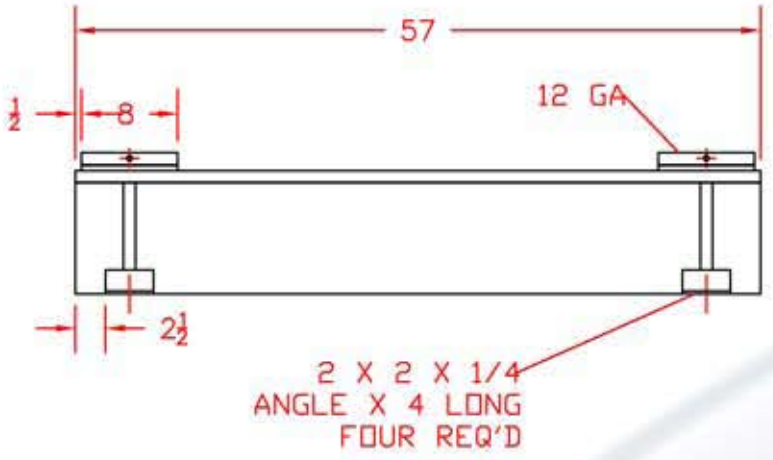



REVISIONS				
ZONE	REV	DESCRIPTION	DATE	APPROVED
	A	BAND WAS 1-PC, (2) REQ	26APR02	
	B	BAND REVISED & REDRAWN	08APR09	



JTP 12SEP01				866-310-2556	
		200 ELLIPTICAL SKID			
SIZE	FSCM NO.	DWG NO.		REV	
A				B	
SCALE 1/16			SHEET		