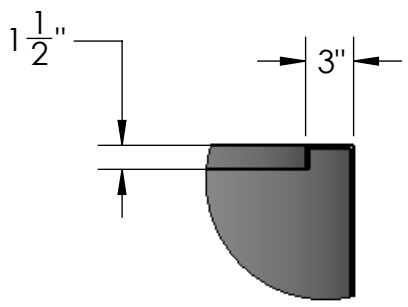
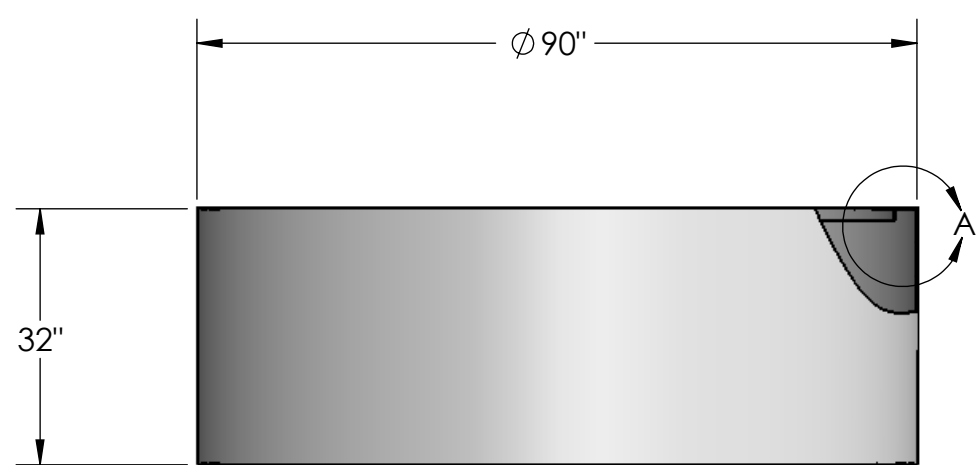
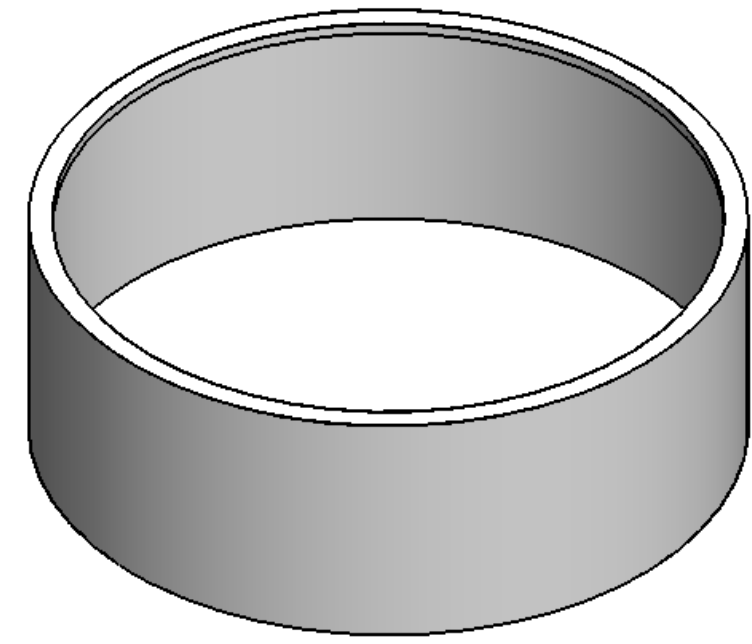
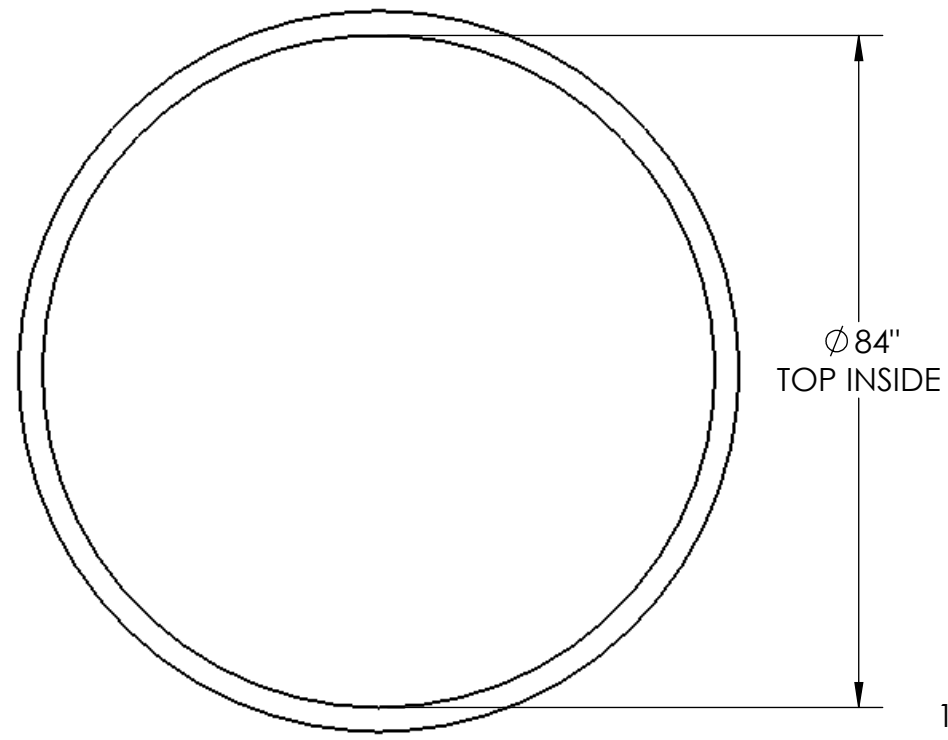


8 7 6 5 4 3 2 1

D  
C  
B  
A

D  
C  
B  
A

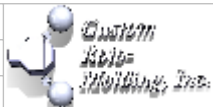


DETAIL A  
SCALE 1 : 12

NOTES:

1. MATERIAL: HDPE
2. MOLDED WT. 130 LBS.

**PROPRIETARY AND CONFIDENTIAL**  
 THE INFORMATION CONTAINED IN THIS DRAWING IS THE SOLE PROPERTY OF <INSERT COMPANY NAME HERE>. ANY REPRODUCTION IN PART OR AS A WHOLE WITHOUT THE WRITTEN PERMISSION OF <INSERT COMPANY NAME HERE> IS PROHIBITED.

		UNLESS OTHERWISE SPECIFIED:		NAME	DATE
		DIMENSIONS ARE IN INCHES		DRAWN	EBW 6-23-14
		TOLERANCES:		CHECKED	
		FRACTIONAL ±		ENG APPR.	
		ANGULAR: MACH ± BEND ±		MFG APPR.	
		TWO PLACE DECIMAL ±		Q.A.	
		THREE PLACE DECIMAL ±		COMMENTS:	
		INTERPRET GEOMETRIC TOLERANCING PER:		 <p>TITLE: <b>800 GALLON OPEN TOP TANK</b></p>	
		MATERIAL			
		FINISH			
NEXT ASSY	USED ON	APPLICATION		SIZE	DWG. NO.
		DO NOT SCALE DRAWING		<b>B</b>	<b>800 OTT</b>
				SCALE: 1:24	WEIGHT:
				SHEET 1 OF 1	

8 7 6 5 4 3 2 1