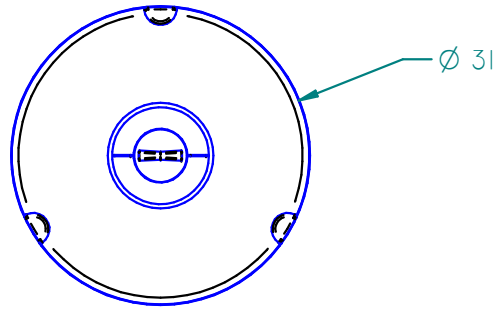
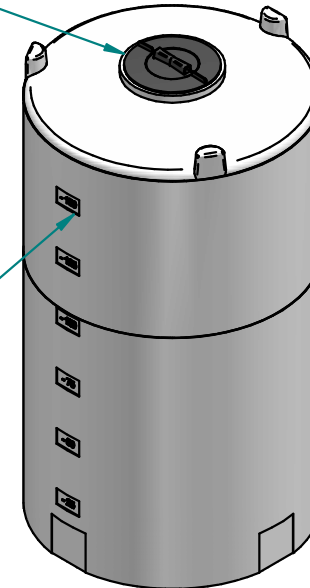


REVISION HISTORY			
REV	DESCRIPTION	DATE	APPROVED
10	UPDATED DRAWINGS ACCORDING TO CURRENT TANK	03/29/11	



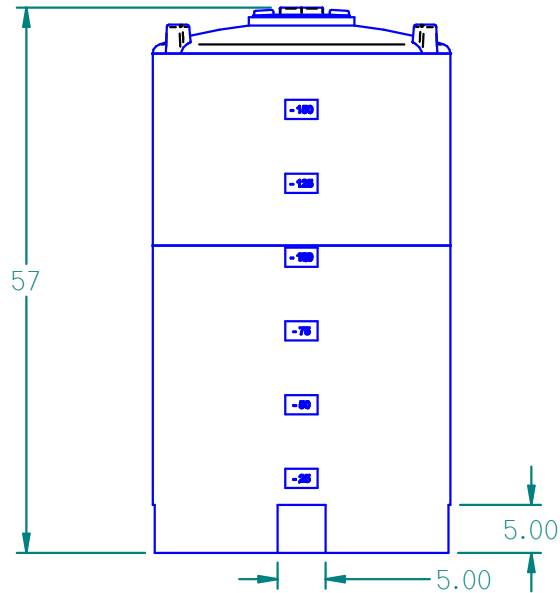
TOP VIEW

8 IN MANWAY




ISO VIEW

TANK IS CALIBRATED IN 25 GAL INCREMENTS



SIDE VIEW

WALL THICKNESS: 0.230"

			 16160 Hwy 27 Lake Wales, FL 33859	
NAME	DATE	TITLE		
DRAWN	MNEGRON	01/18/05	165 GAL VERTICAL TANK	10
CHECKED			SIZE A	MATERIAL: LLDPE RESIN NATURAL
ENG APPR			FILE NAME: V-165 VERTICAL 02.DFT	
MGR APPR			PART#: 900165	WEIGHT: 48.563 LBM
UNLESS OTHERWISE SPECIFIED DIMENSIONS ARE IN INCHES ANGLES ±0.5° 2 PL ±0.125" 3 PL ±0.060"			SHEET 1 OF 1	