

Top View

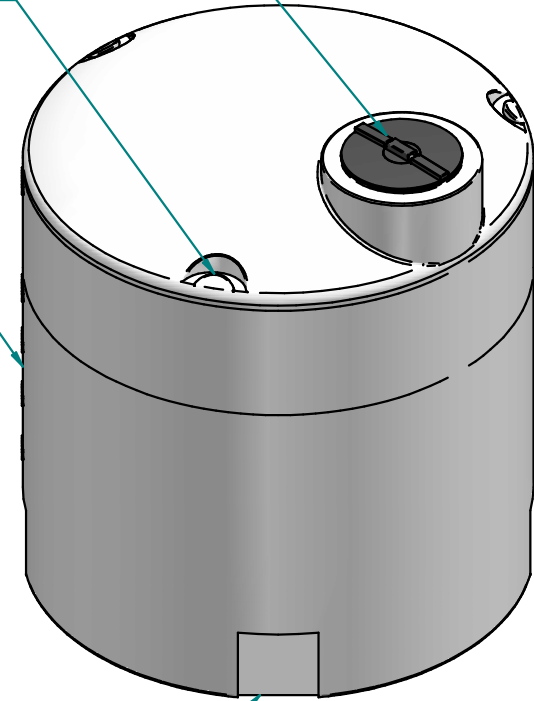
Ø 76

TANK TIE DOWN AREAS
120° APART
60° FROM MANWAY

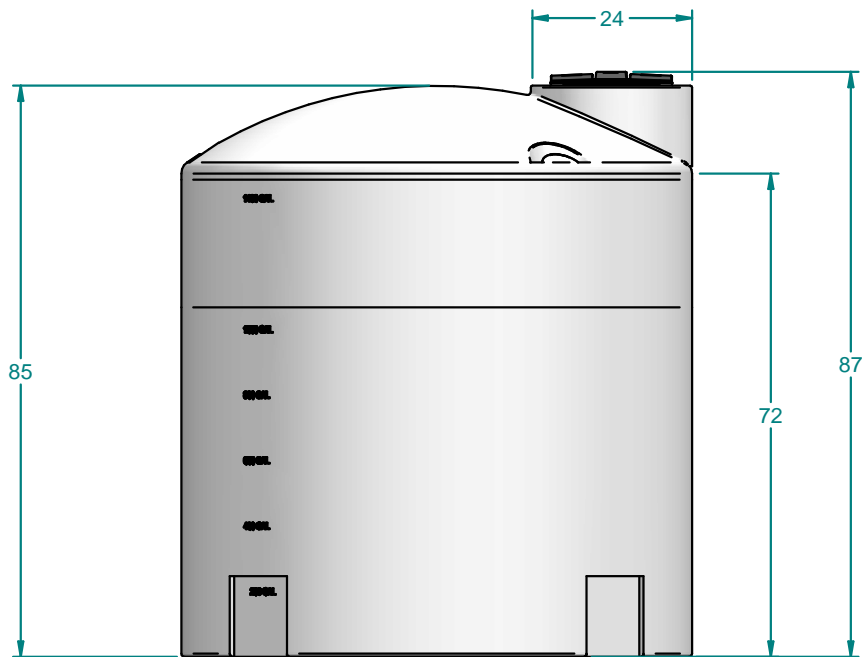
TANK IS CALIBRATED
IN 200 GAL INCREMENTS
UP TO 1000 GALLONS
THEN 1400 GALLONS
ALIGNED WITH FLAT SPOT

16" MANWAY

FLAT SPOT
90° APART
45° FROM MANWAY



ISO View




Side View

wall thickness: 0.280"

REVISION HISTORY

REV	DESCRIPTION	DATE	APPROVED
10	UPDATED DRAWING ACCORDING TO CURRENT TANK	03/30/11	

			16160 Hwy 27 Lake Wales, FL 33859											
<table border="1"> <thead> <tr> <th>NAME</th> <th>DATE</th> </tr> </thead> <tbody> <tr> <td>mnegron</td> <td>3/30/2011</td> </tr> <tr> <td>CHECKED</td> <td></td> </tr> <tr> <td>ENG APPR</td> <td></td> </tr> <tr> <td>MGR APPR</td> <td></td> </tr> </tbody> </table>			NAME	DATE	mnegron	3/30/2011	CHECKED		ENG APPR		MGR APPR		TITLE V-1550 Gallon Tank	
NAME	DATE													
mnegron	3/30/2011													
CHECKED														
ENG APPR														
MGR APPR														
SIZE A		MATERIAL: hdpe natural (200)		REV 10										
FILE NAME: 901600 01.dft														
PART#: 901600		WEIGHT: 257.053 lbm		SHEET 1 OF 1										

UNLESS OTHERWISE SPECIFIED
DIMENSIONS ARE IN INCHES
ANGLES ±0.5°
2 PL ±0.125" 3 PL ±0.060"