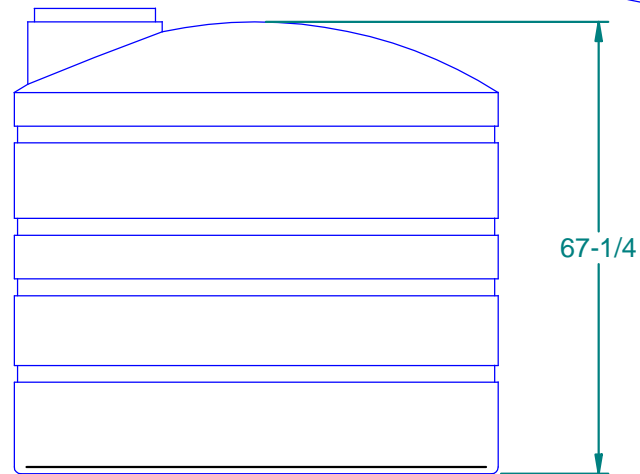
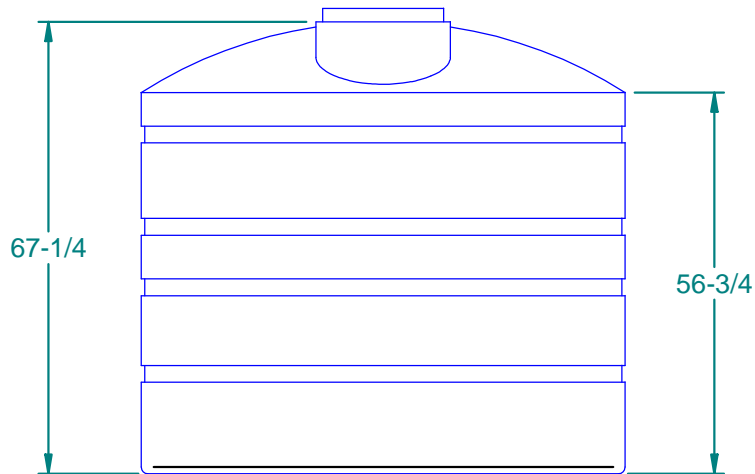
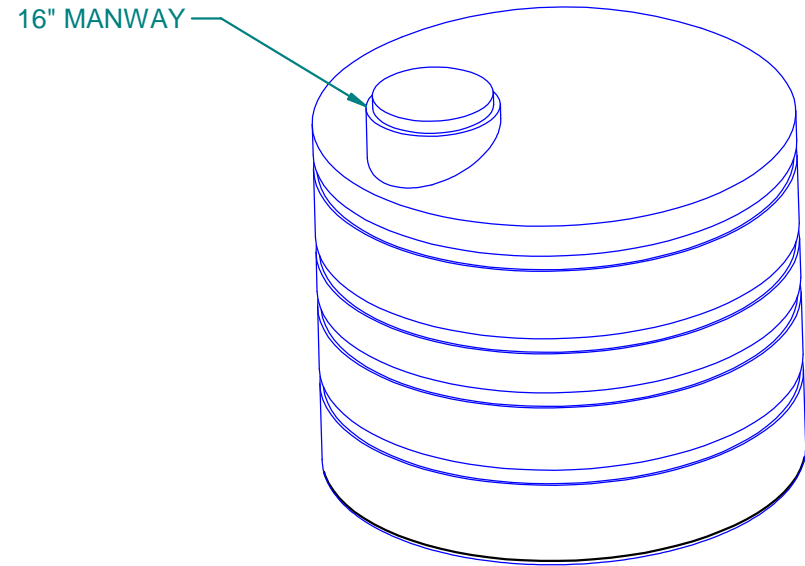
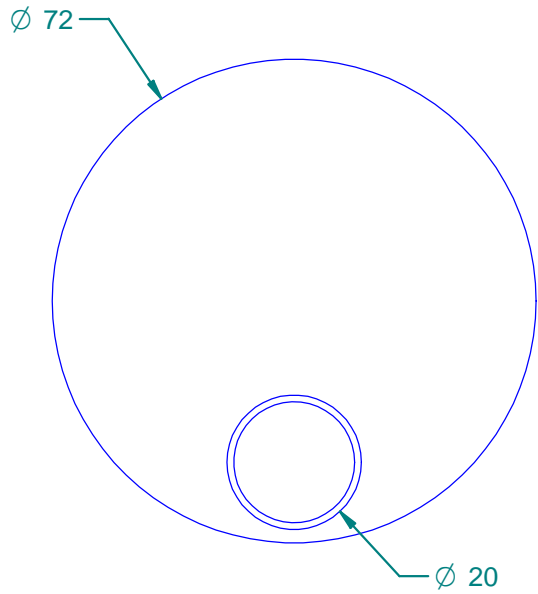



REVISION HISTORY

REV	DESCRIPTION	DATE	APPROVED	Revised By
A	Initial Design Release	9/18/2007		



Weight: N/A		NAME	DATE	 <p>Dura-Cast Products INC. <i>Rotomolding Plastic for the Future</i></p> <p>16160 Hwy 27 Lake Wales, FL. 33859</p>
Wall Thickness: N/A	DRAWN By:	smconomy	9/18/2007	
Customer Part No: N/A	Customer APPR			Customer: Dura-Cast Products, Inc.
Print Date: 9/18/2007	MFG APPR			Part Title: E-1100 Gallon Vertical Tank
Comments:	Tolerance: UNLESS OTHERWISE SPECIFIED DIMENSIONS ARE IN INCHES $\pm 1\%$ Std Radii 3/16"	File Name: V1100 (911100).dft		
		Size: A	Material: Polyethylene, LMDPE 8460	Rev: A
		Part No: 911100	Do Not Scale	Sheet: 1 OF 1