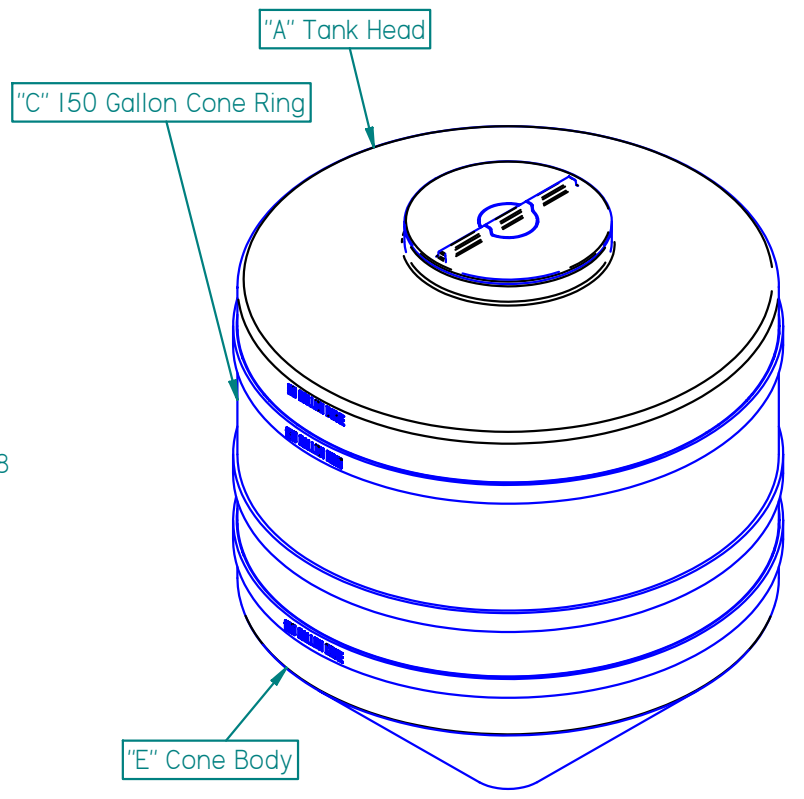


Front View

Tank Mold Assembly Requires "A" Tank Head, "C" 150 Gallon Ring, and "E" Tank Cone Sections.

REVISION HISTORY			
REV	DESCRIPTION	DATE	APPROVED
	APPROVED FOR PRODUCTION	10/1/2003	



ISO View

	NAME	DATE
DRAWN	Michael	2/9/2004
CHECKED		
ENG APPR		
MGR APPR		

TITLE: 300 Gallon Cone Bottom Tank		
SIZE: A	MATERIAL: LMDPE (I100)	REV
FILE NAME: 300GalConeAssy.dft		
PART#: 930300HD	WEIGHT: 96.691 lbm	SHEET 1 OF 1

UNLESS OTHERWISE SPECIFIED
 DIMENSIONS ARE IN INCHES
 ANGLES ±0.5°
 2 PL ±0.125" 3 PL ±0.060"