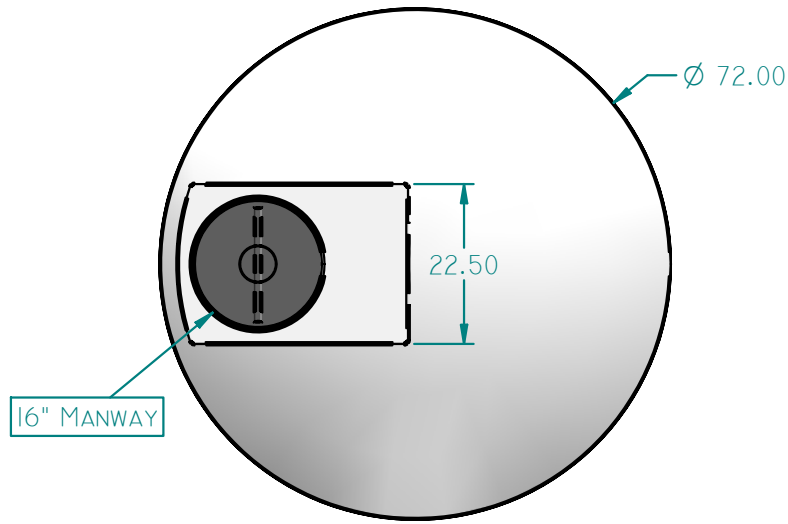


REVISION HISTORY

REV	DESCRIPTION	DATE	APPROVED

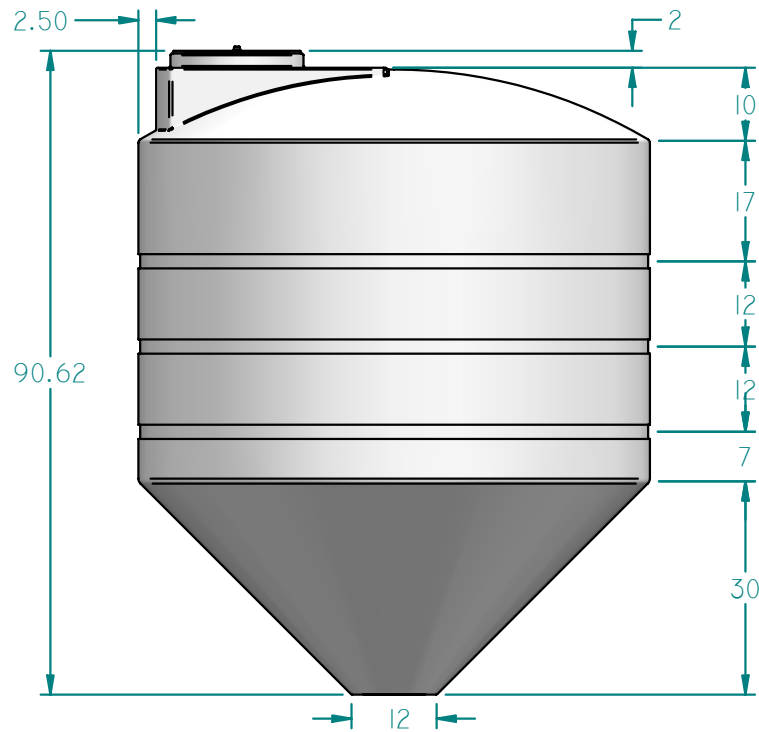


16" MANWAY

Ø 72.00

22.50

TOP VIEW



90.62

2.50

2

10

17

12

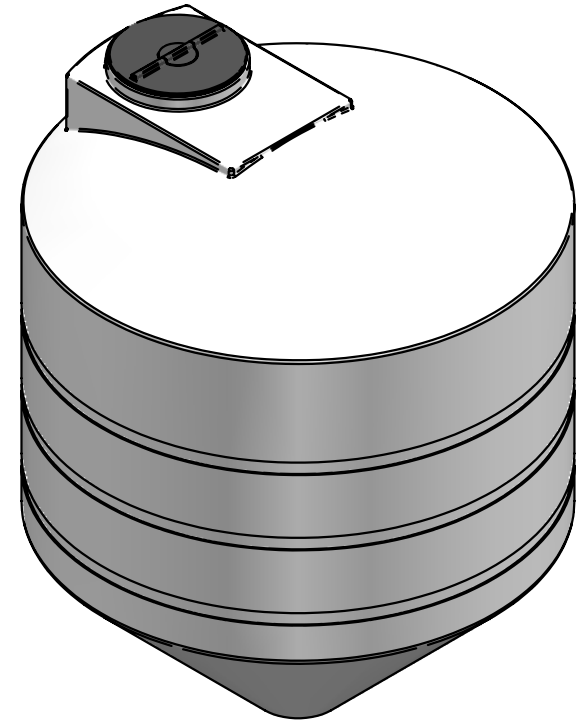
12

7

30

12

SIDE VIEW



ISO VIEW

WALL THICKNESS:

DRAWN		NAME	DATE	TITLE	
CHECKED				I100 GALLON CONE TANK 1.2 SPG	
ENG APPR				SIZE	MATERIAL: HDPE NATURAL
MGR APPR				A	REV
UNLESS OTHERWISE SPECIFIED DIMENSIONS ARE IN INCHES ANGLES ±0.5° 2 PL ±0.125" 3 PL ±0.060"				FILE NAME: C1100 TANK.DFT	
PART#: 931100		WEIGHT: 197.071 LB		SHEET 1 OF 1	

TITLE I100 GALLON CONE TANK 1.2 SPG

SIZE A MATERIAL: HDPE NATURAL REV .250"

FILE NAME: C1100 TANK.DFT

PART#: 931100 WEIGHT: 197.071 LB SHEET 1 OF 1