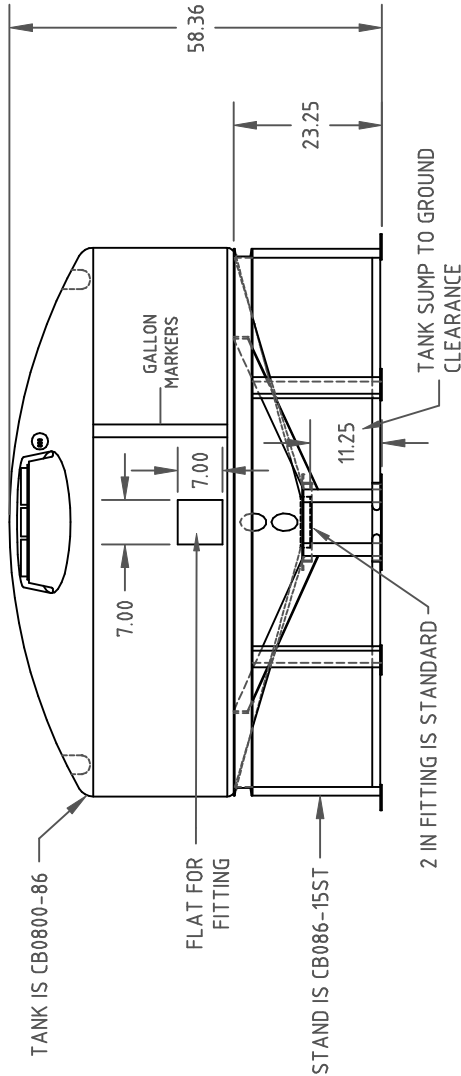
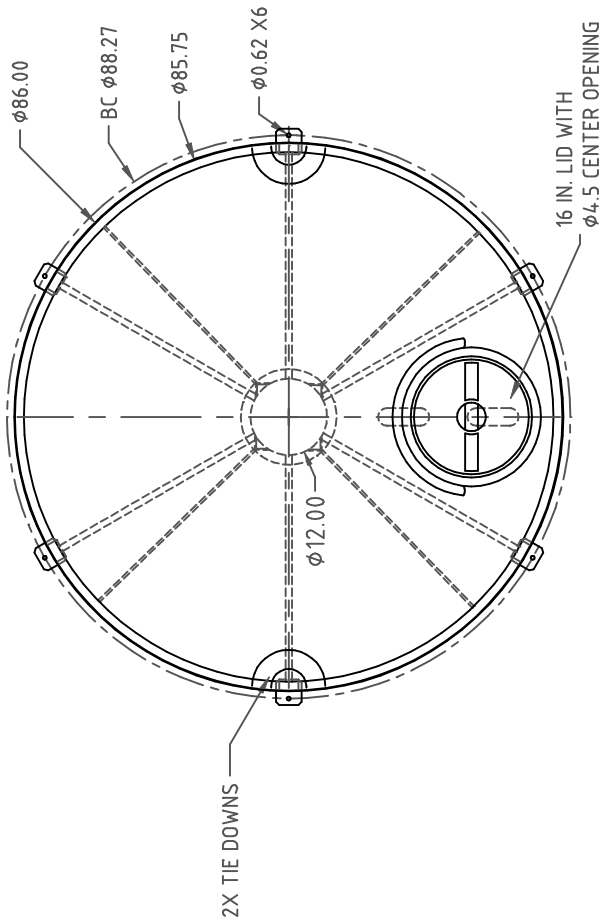


Copyright. All information furnished within this document, electronic file or design correspondence is the property of Den Hartog Industries, Inc. and shall not be used, disclosed to others or copied without the expressed written consent of Den Hartog Industries, Inc.



Den Hartog
INDUSTRIES, INC.
Ace Roto-Mold Injection Molding Blow Molding Saw Jay



4,010 HOSPERS DRIVE S. BOX 425, HOSPERS, IOWA 51238-0425

DESCRIPTION 800 GALLON X 86" CONE BOTTOM TANK AND STAND

SCALE N.S. PART NO. CB800-86+86-15ST

REV	DESCRIPTION	BY / DATE	CCN	DRAWN / DATE	MATERIAL
	ALL DIMENSIONS ARE IN DECIMAL INCHES TOLERANCES UNLESS OTHERWISE SPECIFIED			DHJ 10/27/09	TANK IS POLYETHYLENE
	POLYETHYLENE			REH 11/2/09	STAND IS MILD STEEL W/ POWDER COAT
	DECIMAL ± .125" FRACTION ± 1/4" ANGLE ± 1°				NOTES:
	METAL				SHIPPING WEIGHT: 54.2 LBS.
	± 1% @ 68 ° F				FINISH:

