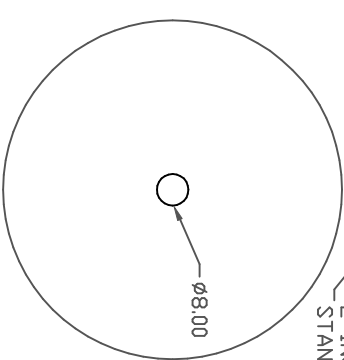
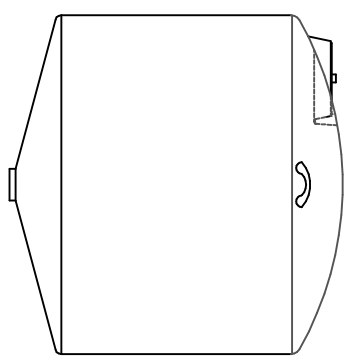
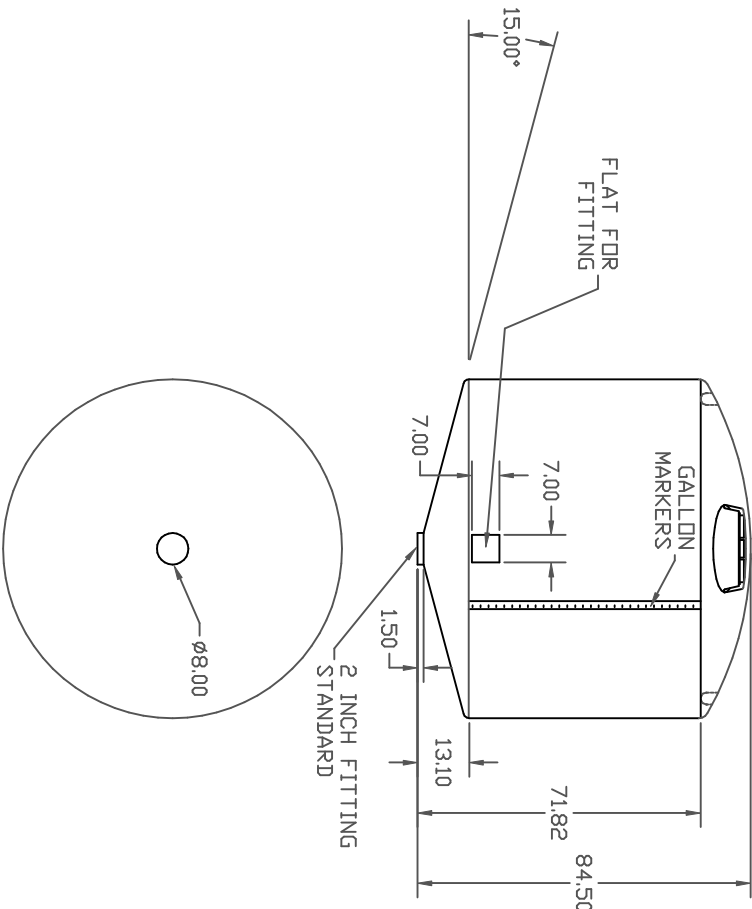
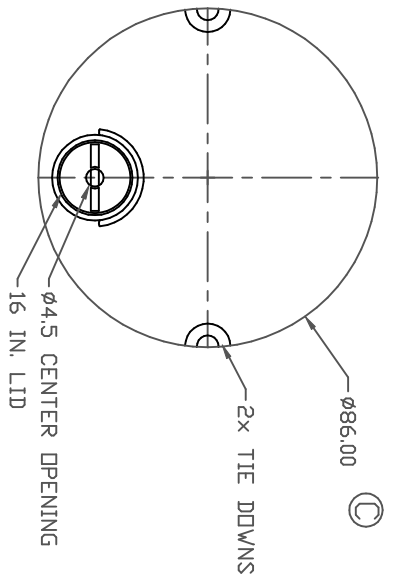


PROPRIETARY DATA

PROPERTY OF DEN HARTOG INDUSTRIES, INC. INFORMATION FURNISHED HEREIN IS THE PROPERTY OF DEN HARTOG INDUSTRIES, INC. AND SHALL NOT BE USED, DISCLOSED TO OTHERS, OR COPIED WITHOUT THE EXPRESSED WRITTEN CONSENT OF DEN HARTOG INDUSTRIES, INC. ALL RIGHTS RESERVED.

CB1700-86



C	DIA WAS 85, WEIGHT WAS 300 LBS	7/31/06	NVE	DRAWN / DATE	DHJ 7/11/03
B	UPDATE DIMENSIONS	5/29/06	NVE	APPRD. / DATE	
A	CHANGE WEIGHT TO 300	9/12/05			
REV	DESCRIPTION	DATE	APPRD		

MATERIAL  
 HOPE OR EQUIVALENT  
 REFER TO MATERIAL DATA SHEET  
 FOR SPECIFIC PROPERTIES.

NOTES:  
 1. WHITE OR YELLOW COLOR  
 2. SHOT WEIGHT 284 LBS.



THIRD ANGLE PROJECTION  
 ANSI 14.5M

CLIENT / DESCRIPTION  
 1700 GALLON,  $\phi$ 86.00 CONE BOTTOM TANK

SCALE  
 N.S.

PART NO.  
 CB1700-86

ALL DIMENSIONS ARE IN DECIMAL INCHES  
 TOLERANCES UNLESS OTHERWISE SPECIFIED  
 + 1% @ 68° F

