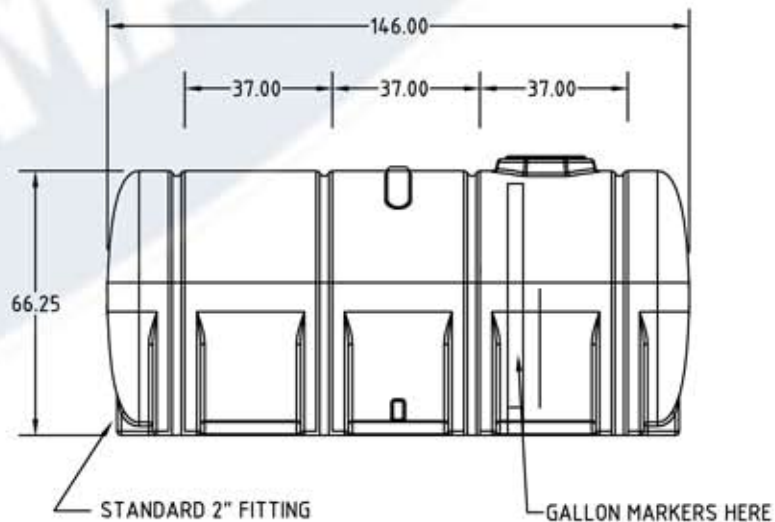
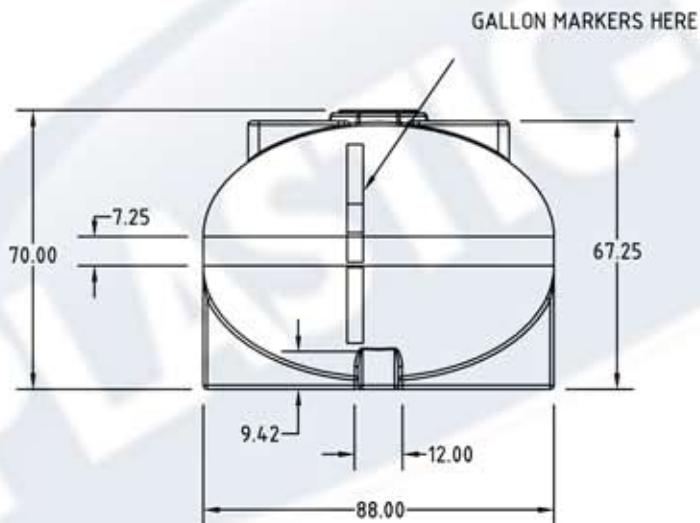
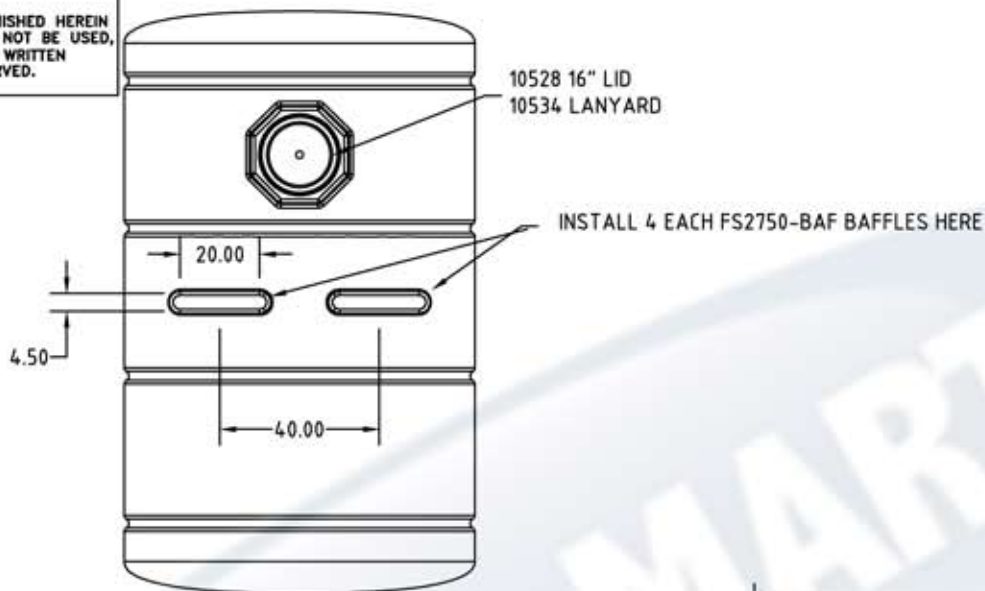


**PROPRIETARY DATA**

FS2750-88

A

PROPERTY OF ACE ROTO-MOLD MFG., INC. INFORMATION FURNISHED HEREIN IS THE PROPERTY OF ACE ROTO-MOLD MFG., INC. AND SHALL NOT BE USED, DISCLOSED TO OTHERS, OR COPIED WITHOUT THE EXPRESSED WRITTEN CONSENT OF ACE ROTO-MOLD MFG., INC. ALL RIGHTS RESERVED.



DRAWN / DATE  
REH/3/13/06

APPRD. / DATE  
REH/3/13/06

MATERIAL / SHOT WEIGHT

M111	M134	U625	P938
	1060		

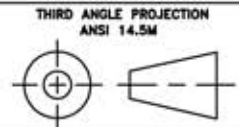


**866-310-2556**

A	CORRECT PART #	1/8/07 DHJ
REV	DESCRIPTION	DATE APPRD

CLIENT / DESCRIPTION  
**ACE 2750 GALLON ELLIPTICAL LEG TANK**

ALL DIMENSIONS ARE IN DECIMAL INCHES  
TOLERANCES UNLESS OTHERWISE SPECIFIED  
± .5% @ 68° F



NOTES:  
1. .450 NOMINAL WALL  
2. BLUE, BLACK, WHITE OR YELLOW COLOR

SCALE  
**N.S.**

PART NO.  
**FS2750-88**