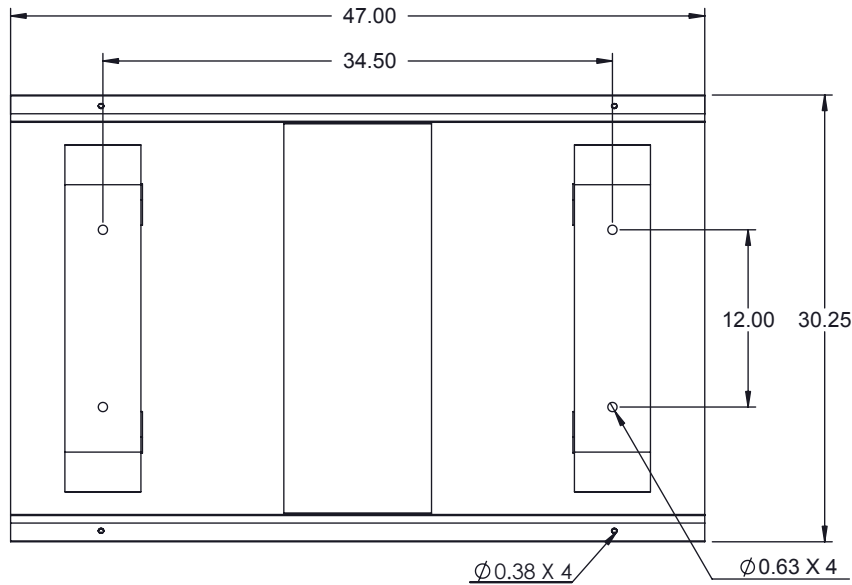
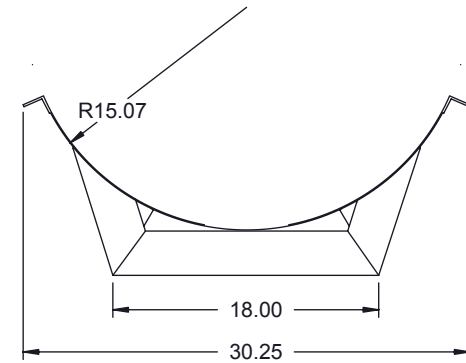
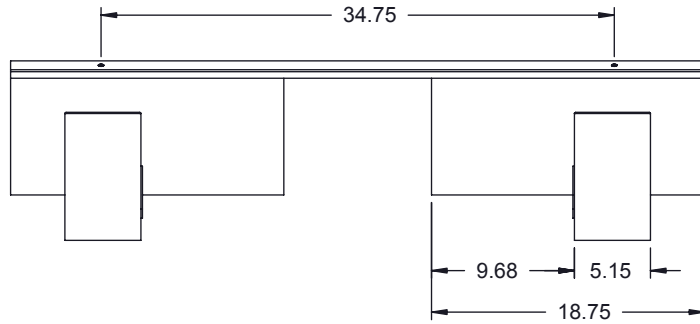


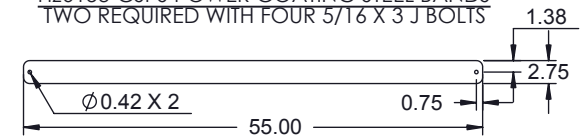
PROPRIETARY DATA

PROPERTY OF DEN HARTOG MFG., INC. INFORMATION FURNISHED HEREIN IS THE PROPERTY OF ACE ROTO-MOLD MFG., INC. AND SHALL NOT BE USED, DISCLOSED TO OTHERS, OR COPIED WITHOUT THE EXPRESSED WRITTEN CONSENT OF ACE ROTO-MOLD MFG., INC. ALL RIGHTS RESERVED.

HZ0153-C1



HZ0153-CSPS POWER COATING STEEL BANDS
TWO REQUIRED WITH FOUR 5/16 X 3 J BOLTS



				DRAWN / DATE ADH 8/9/07	MATERIAL
				APPRD. / DATE XXXX	
REV	DESCRIPTION	BY / DATE	CCN		
ALL DIMENSIONS ARE IN DECIMAL INCHES TOLERANCES UNLESS OTHERWISE SPECIFIED DECIMAL ± .125" FRACTION ± 1/4" ANGLE ± 1°				THIRD ANGLE PROJECTION ANSI 14.5M 	NOTES: 1.) POWDER COATING, BLACK TILE, 4.0012 2.) WEIGHT 57 LBS



Den Hartog
INDUSTRIES, INC.

Ace Roto-Mold Injection Molding Blow Molding Sowjoy

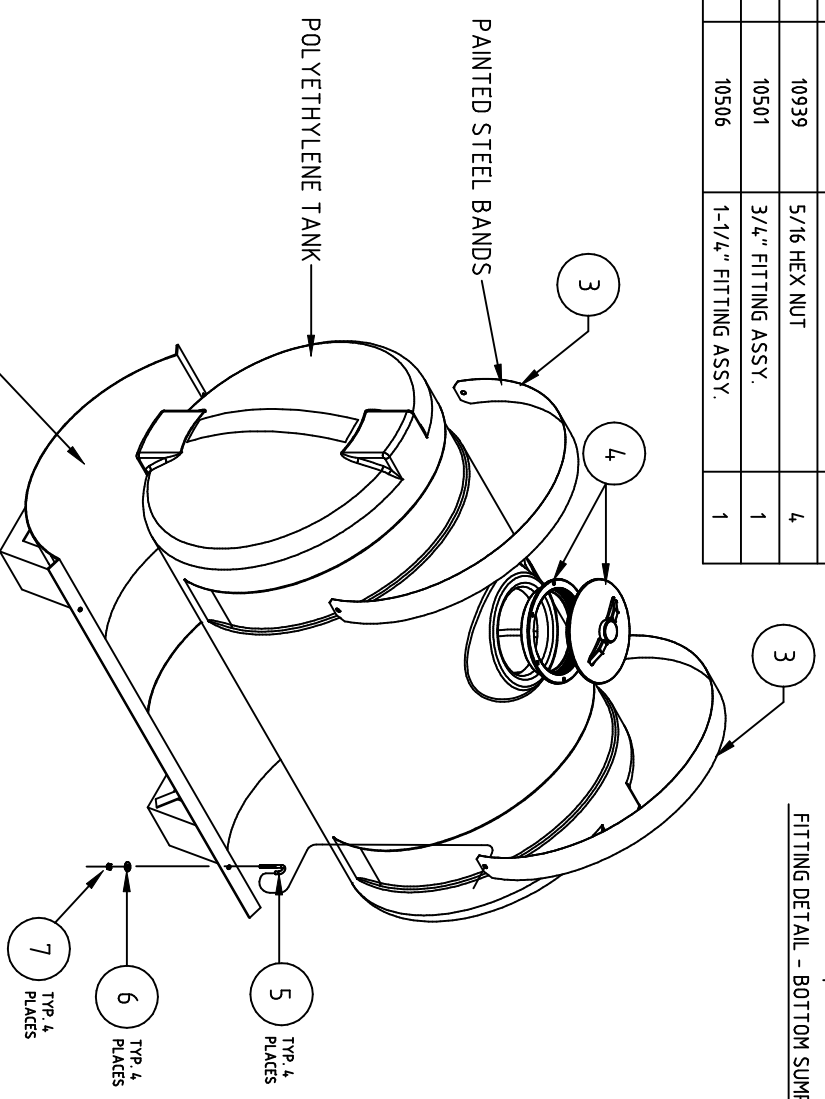
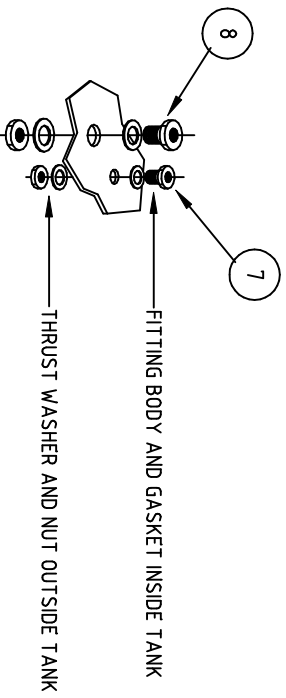
4010 HOSPERS DRIVE S. BOX 425, HOSPERS, IOWA 51238-0421

DESCRIPTION CRADLE/BAND FOR 150 GALLON HORIZONTAL TANK

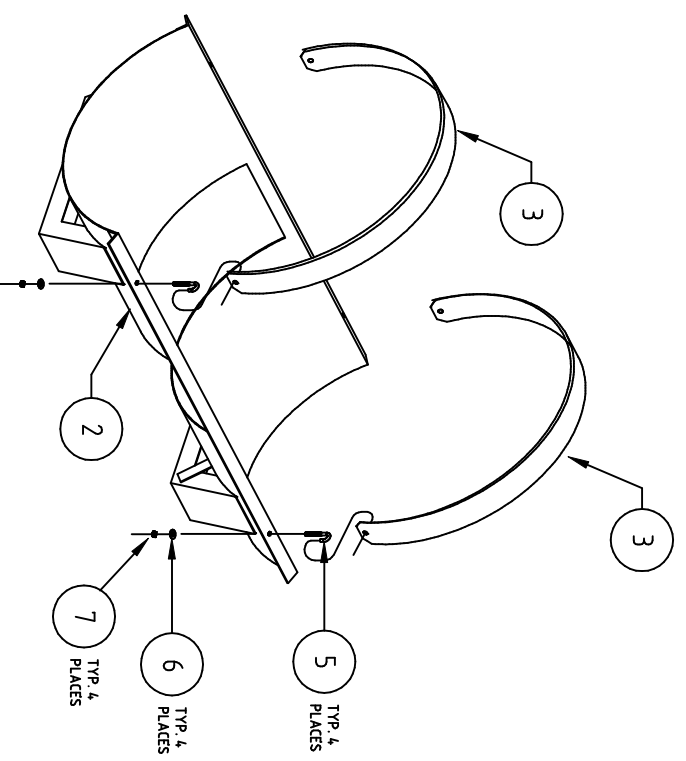
SCALE N.S.

PART NO. HZ0153-C1

KEY	PART NUMBER	DESCRIPTION	QTY.
1	HZ00150S WSS	TANK BODY	1
2	HZ0153-C	SKID WELDMENT	1
3	HZ0153-CSB	SKID BAND	2
4	10525	8" LID ASSY.	1
5	J313X3.000	J-BOLT	4
6	10320	5/16 FLATWASHER	4
7	10939	5/16 HEX NUT	4
8	10501	3/4" FITTING ASSY.	1
9	10506	1-1/4" FITTING ASSY.	1



HZ0150-30 TANK AND HZ0153-C SKID KIT ASSEMBLY



HZ0153-C SKID KIT ASSEMBLY

REV	DESCRIPTION	DATE	APPRD	DRAWN / DATE	MATERIAL / SHOT WEIGHT
A	REMOVE TOLERANCE	3/14/07	GWC	REH/11/12/01	
REV	DESCRIPTION	DATE	APPRD	REH/11/12/01	

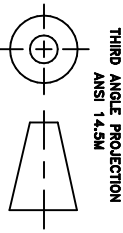
Ace Roto-Mold
A DIVISION OF DEN HARTOG INDUSTRIE, INC.

CLIENT / DESCRIPTION: ACE 150 GALLON HORIZONTAL TANK SKID ASSEMBLY AND PARTS LIST

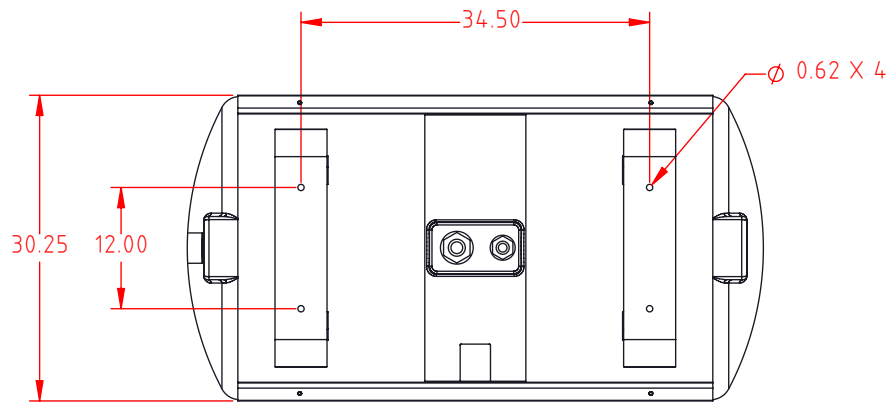
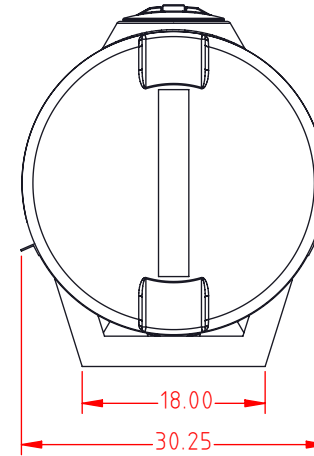
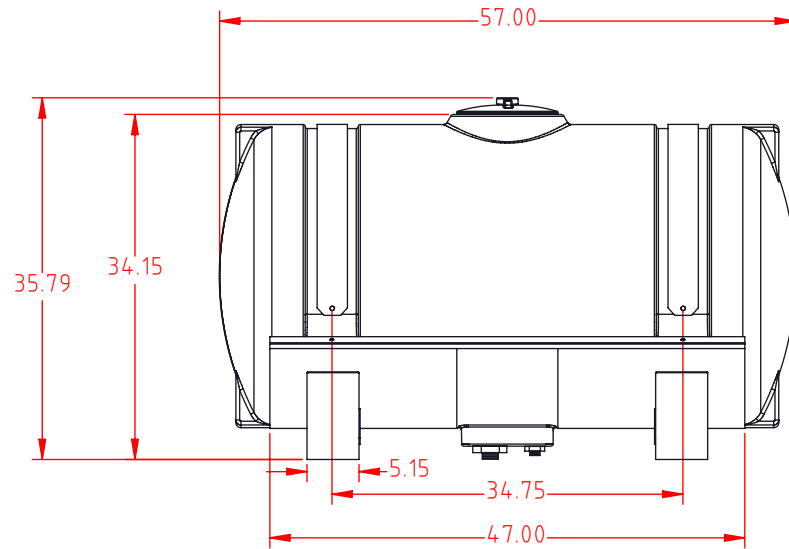
SCALE: N.S.


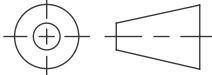
PART NO.: HZ0153-C2

ALL DIMENSIONS ARE IN DECIMAL INCHES
TOLERANCES UNLESS OTHERWISE SPECIFIED



HZ0153-C3



		DRAWN / DATE REH/11/12/01		MATERIAL / SHOT WEIGHT				 Ace Roto-Mold A DIVISION OF DEN HARTOG INDUSTRIES, INC. HOSPERS DRIVE S., BOX 421, HOSPERS, IOWA 51238
		APPRD. / DATE REH/11/12/01		M111	M134	U625	P938	
REV	DESCRIPTION	DATE	APPRD	NOTES:				CLIENT / DESCRIPTION ACE 150 GALLON HORIZONTAL TANK AND SKID DIMENSIONS
ALL DIMENSIONS ARE IN DECIMAL INCHES TOLERANCES UNLESS OTHERWISE SPECIFIED $\pm .5\% @ 68^{\circ} F$				THIRD ANGLE PROJECTION ANSI 14.5M 				SCALE N.S.
								PART NO. HZ0153-C3