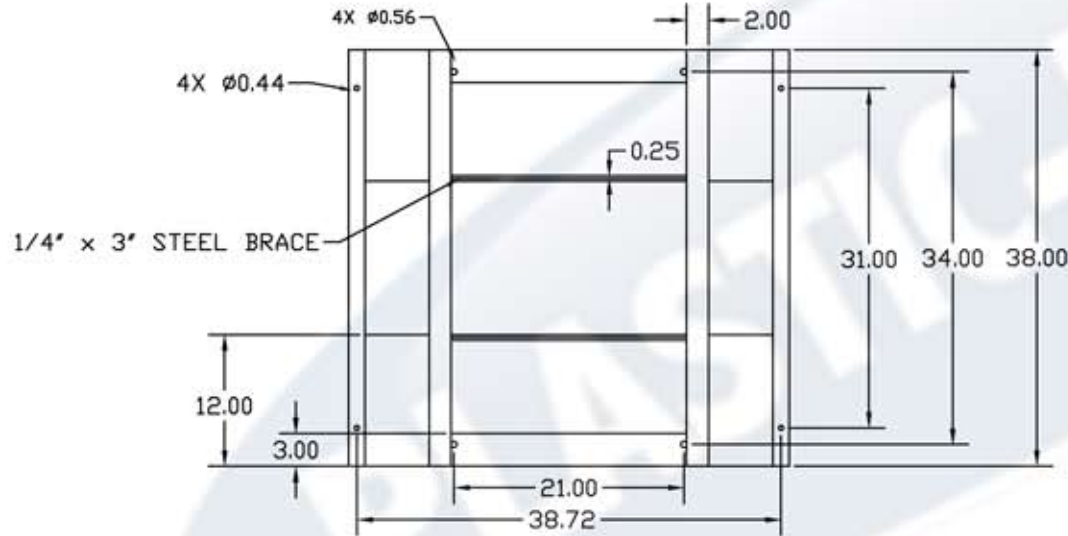
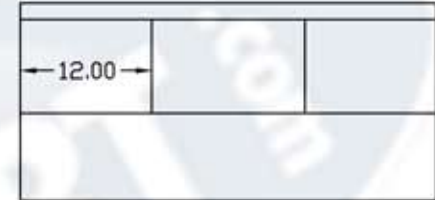
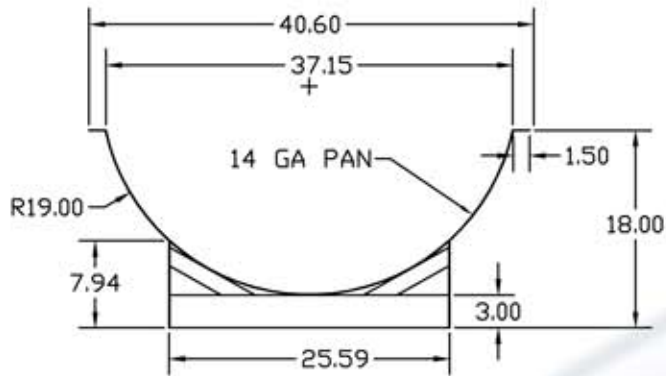
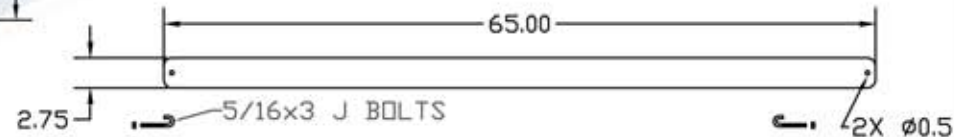


PROPRIETARY DATA

PROPERTY OF ACE ROTO-MOLD MFG., INC. INFORMATION FURNISHED HEREIN IS THE PROPERTY OF ACE ROTO-MOLD MFG., INC. AND SHALL NOT BE USED, DISCLOSED TO OTHERS, OR COPIED WITHOUT THE EXPRESSED WRITTEN CONSENT OF ACE ROTO-MOLD MFG., INC. ALL RIGHTS RESERVED.



POWDER COATED STEEL BANDS
TWO REQUIRED WITH J BOLTS



				DRAWN / DATE NVE 7/8/05		MATERIAL	
				APPRD. / DATE DHJ 9/27/05		STEEL	
A	TOLERANCE WAS 1% @ 68° F	3/14/07	GWC				
REV	DESCRIPTION	DATE	APPRD				
ALL DIMENSIONS ARE IN DECIMAL INCHES TOLERANCES UNLESS OTHERWISE SPECIFIED DECIMAL +/- .125" FRACTION +/- 1/4" ANGLE +/- 1°				THIRD ANGLE PROJECTION ANSI X1.5M		NOTES: 1. POWDER COATED - BLACK COLOR 2. WEIGHT 85 LBS.	



866-310-2556

CLIENT / DESCRIPTION
CRADLE ASSEMBLY FOR 200 GALLON x 38 HORIZONTAL TANK

SCALE
N.S.

PART NO.
HZ0238-C