

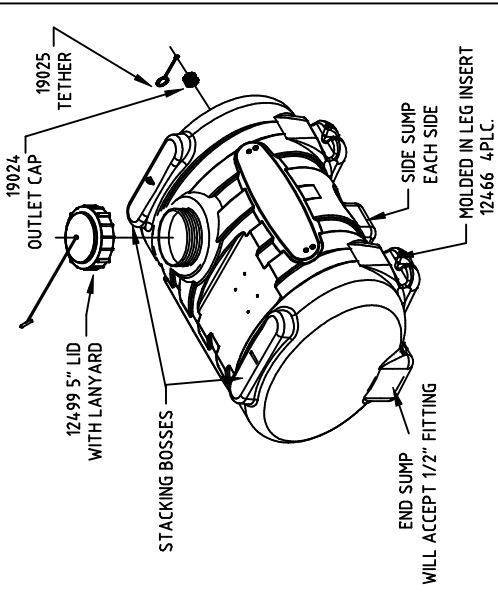
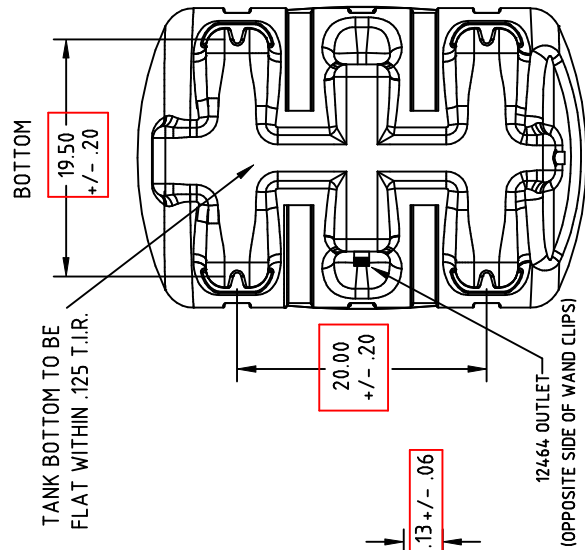
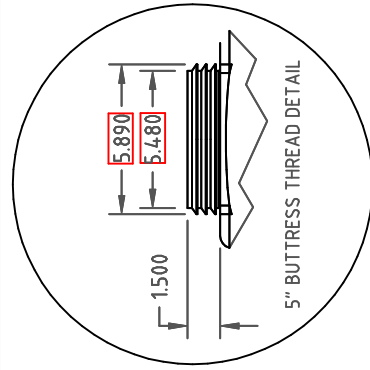
**PROPRIETARY DATA**

PROPERTY OF ACE ROTO-MOLD MFG., INC. INFORMATION FURNISHED HEREIN IS THE PROPERTY OF ACE ROTO-MOLD MFG., INC. AND SHALL NOT BE USED, DISCLOSED TO OTHERS, OR COPIED WITHOUT THE EXPRESSED WRITTEN CONSENT OF ACE ROTO-MOLD MFG., INC. ALL RIGHTS RESERVED.

SHIPPING WEIGHT = 17-1/2 LB.

SB00040

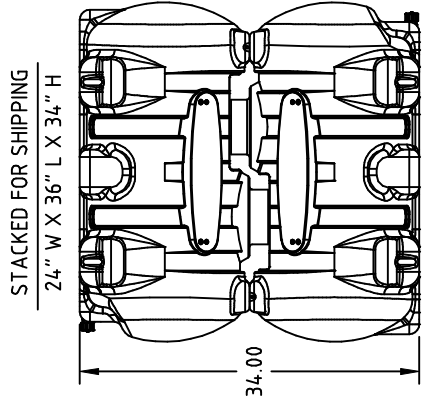
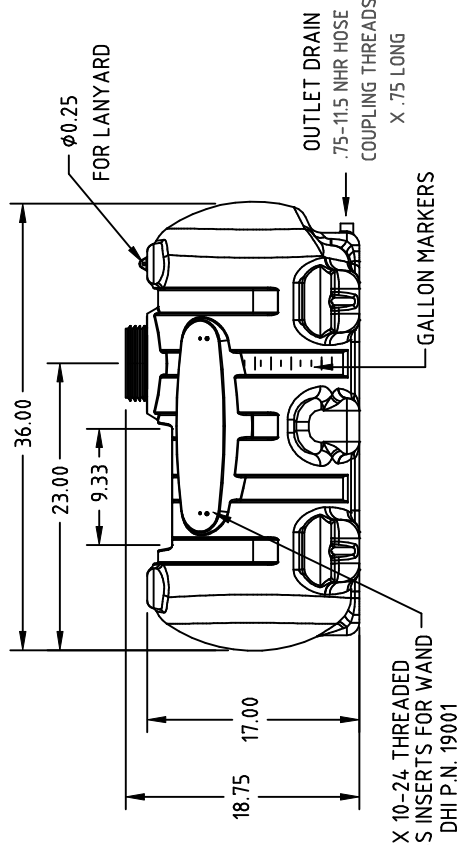
A



NOTE: CONTACT DHI REGARDING PRICING FOR LOOSE COMPONENTS SHOWN ABOVE.

LOGO APPLICATION AREA EACH SIDE

4 X 10-24 THREADED BRASS INSERTS FOR PUMP DHI P.N. 19001



REV	DESCRIPTION	DATE	APPRD	DRAWN / DATE	MATERIAL
A	WAS .095 CCN1520	11/15/07	ADH	REH / 3/22/07	EQUSTAR 5704
				DHU 10/1/07	SHOT WEIGHT = 15.5 LB.

**ACE ROTO-MOLD**  
 A DIVISION OF DEN HARTOG INDUSTRIES, INC.  
 4010 HOSPERS DRIVE SOUTH, BOX 425, HOSPERS, IOWA 51238

CLIENT / DESCRIPTION

40 GALLON B/M APPLICATOR TANK

ALL DIMENSIONS ARE IN DECIMAL INCHES TOLERANCES UNLESS OTHERWISE SPECIFIED

+ .5% @ 68° F

THIRD ANGLE PROJECTION ANSI 14.5M

NOTES:

1. WHITE OR YELLOW COLOR
2. MIN. WALL = .080

SCALE N.S.

PART NO. TANK ONLY - WHITE SB00040SW  
 TANK ONLY - YELLOW SB00040SY