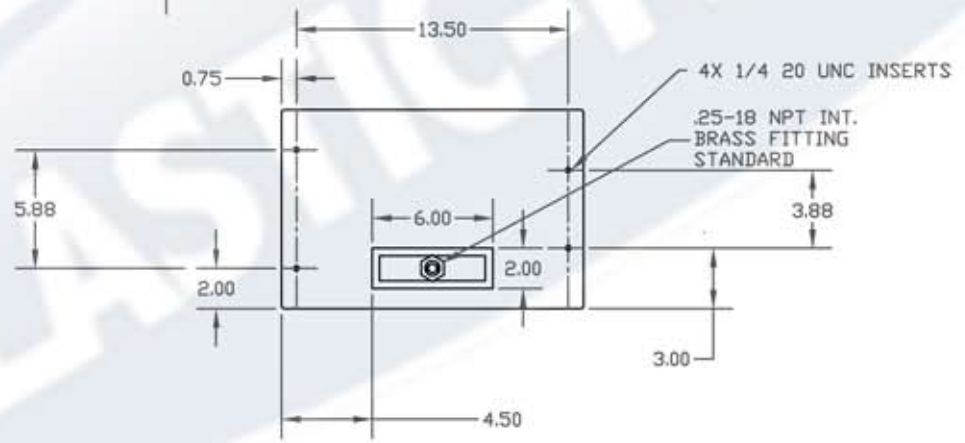
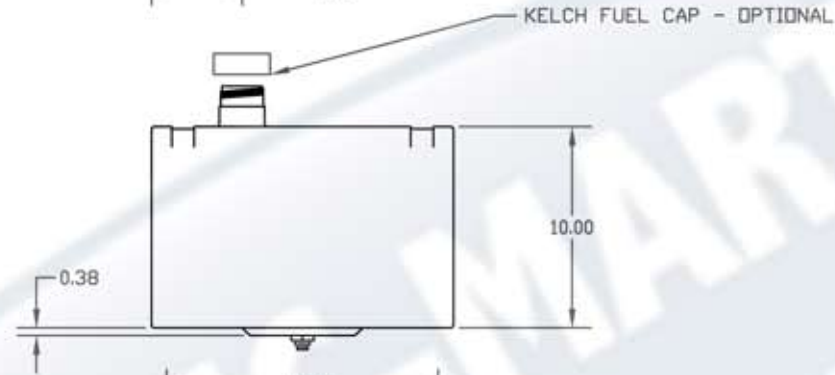
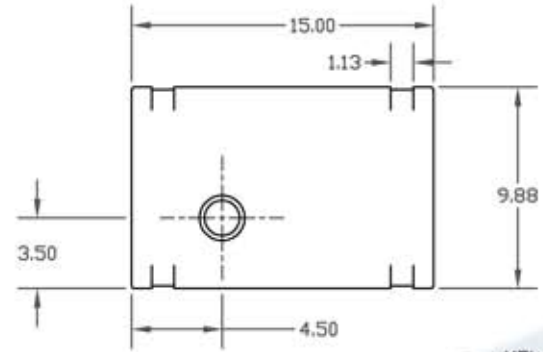


© DEN HARTOG INDUSTRIES, INC.

Copyright. All information furnished within this document, electronic file or design correspondence is the property of Den Hartog Industries Inc. and shall not be used, disclosed to others or copied without the expressed written consent of Den Hartog Industries, Inc.



REV	DESCRIPTION	DATE	APVD
B	ADD FITTING	10/19/06	DHJ
A	REVISED INSERT DIM.	3/10/95	EDB

REVISIONS

UDS DIMENSIONS ARE IN INCHES
GENERAL TOLERANCES
± 1/32

MATERIAL	4.2 LB. XLPE
UDS ALL RADII	.125
UDS SURFACE FINISH	✓
BREAK ALL EDGES	.01 x 45°

DRAWN DHJ DATE 11-30-93

CHECKED DATE

APPROVED DATE

THIRD ANGLE PROJECTION

PLASTIC-MART 866-310-2556

6 GAL FUEL TANK

SIZE A DWG NO. SP006-FUWB REV B

SCALE NONE SHEET OF