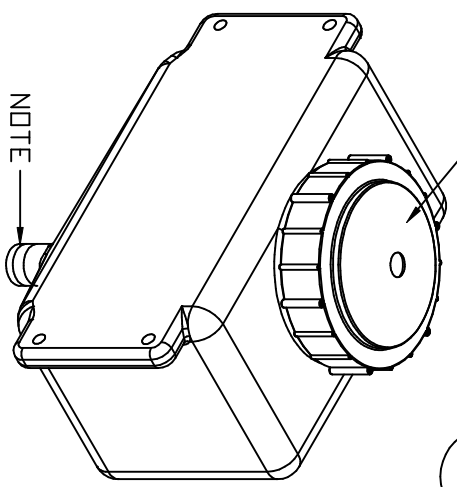
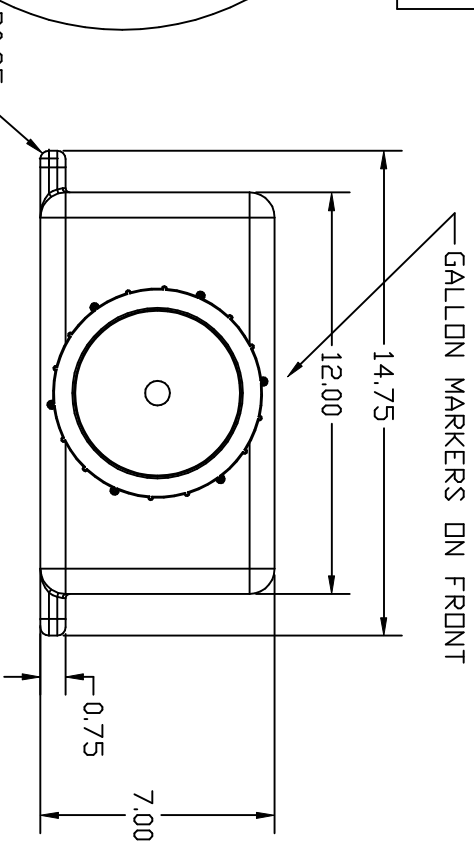
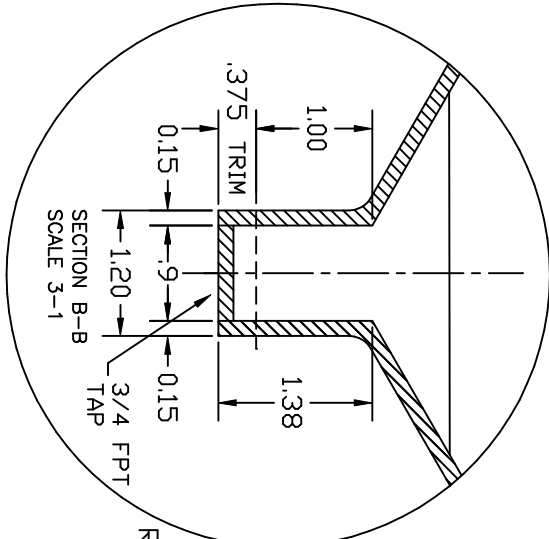


PROPRIETARY DATA

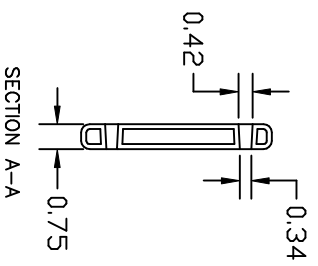
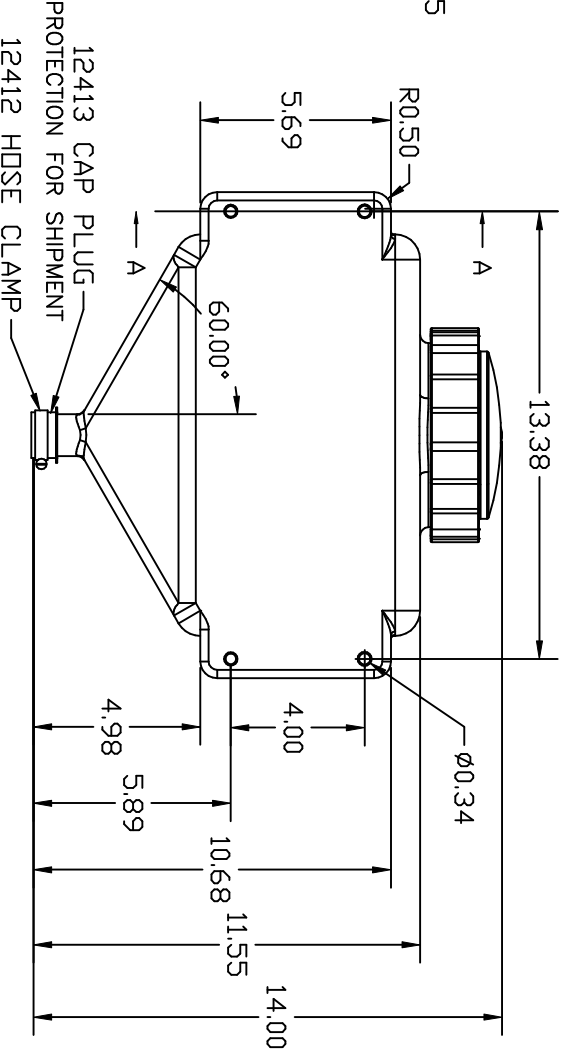
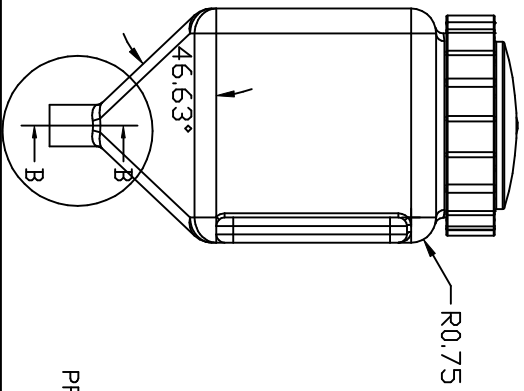
PROPERTY OF DEN HARTOG INDUSTRIES, INC. INFORMATION FURNISHED HEREIN IS THE PROPERTY OF DEN HARTOG INDUSTRIES, INC. AND SHALL NOT BE USED, DISCLOSED TO OTHERS, OR COPIED WITHOUT THE EXPRESSED WRITTEN CONSENT OF DEN HARTOG INDUSTRIES, INC. ALL RIGHTS RESERVED.



SP002.5-RT

A

NOTE
USE HOSE CLAMP TO
SECURE FITTING IN OUTLET



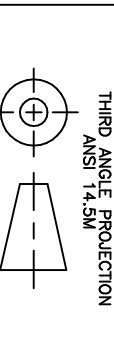
WT	CHANGED TO 3.0 LB	DATE	9/5/06	APPRD	
REV	DESCRIPTION	DATE		APPRD	

DRAWN / DATE	NVE 7/6/06
APPRD. / DATE	REH/8/9/06

MATERIAL
HDPE OR EQUIVALENT
REFERENCE MATERIAL DATA SHEET
FOR SPECIFIC PROPERTIES.

ACE ROTO-MOLD
A DIVISION OF DEN HARTOG INDUSTRIES, INC.
4018 HWY. 60 BLVD, BOX 421, HOSPERS, IOWA 51238

ALL DIMENSIONS ARE IN DECIMAL INCHES
TOLERANCES UNLESS OTHERWISE SPECIFIED
+ 1% @ 68° F



NOTES:
1. NOM. WALL @ .150
2. SHOT WEIGHT 3.0 LBS.

CLIENT / DESCRIPTION
2-1/2 GALLON SPECIALTY TANK

SCALE N.S. PART NO. SP002.5-RT